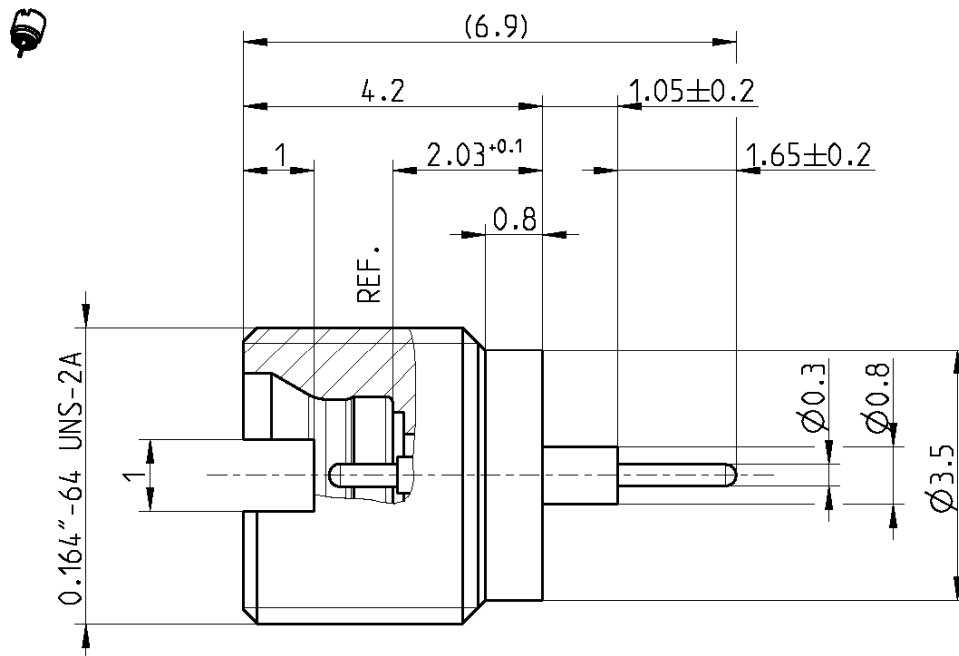


Mini SMP

**BULKHEAD PLUG  
FULL DETENT**

**18S103-500L5**



All dimensions are in mm; tolerances acc. ISO 2768 m-H

**Interface**

According to

MIL-STD-348

Mateable with GPPO™ (Gilbert Engineering Co., Inc.)  
and SSMP™ (Connectors Devices, Inc.)

**Documents**

Panel piercing

B 227

**Material and plating**

**Connector parts**

Center contact  
Outer contact  
Dielectric

**Material**

CuBe  
Brass  
PTFE

**Plating**

AuroDur®, gold plated  
AuroDur®, gold plated

**Electrical data**

Impedance	50 Ω
Frequency	DC to 65 GHz
Return loss	≥ 30 dB, DC to 6 GHz ≥ 26 dB, 6 to 18 GHz ≥ 22 dB, 18 to 40 GHz
Insertion loss	≤ 0.05 x √f(GHz) dB
Insulation resistance	≥ 5 GΩ
Center contact resistance	≤ 6.0 mΩ
Outer contact resistance	≤ 2.0 mΩ
Working voltage (at sea level)	325 V rms
(at 70000 feet)	125 V rms

**Mechanical data**

Mating cycles	
if mating part is smooth bore	≥ 100
Center contact captivation	≥ 5 N from interface side
Engagement force	
- full detent	19 N typical
Disengagement force	
- full detent	29 N typical

**Environmental data**

Temperature range	-55°C to +155°C
Thermal shock	MIL-STD-202, Method 107, Condition B
Vibration	MIL-STD-202, Method 204, Condition A
Shock	MIL-STD-202, Method 213, Condition A
Moisture resistance	MIL-STD-202, Method 106
Climatic Category	IEC 60068 55/155/21
RoHS	compliant

**Tooling**

N/A

**Suitable cables**

N/A

**Weight**

Weight 0.35 g/pce

While the information has been carefully compiled to the best of our knowledge, nothing is intended as representation or warranty on our part and no statement herein shall be construed as recommendation to infringe existing patents. In the effort to improve our products, we reserve the right to make changes judged to be necessary.

Draft	Date	Approved	Date	Rev.	Engineering change number	Name	Date
M. Bachhuber	02/02/06	B. Aicher	03.03.16	g00	15-1674	Fl. Öllerer	03.03.16
Rosenberger Hochfrequenztechnik GmbH & Co. KG P.O.Box 1260 D-84526 Tittmoning Germany <a href="http://www.rosenberger.de">www.rosenberger.de</a>					Tel.: +49 8684 18-0 email: <a href="mailto:info@rosenberger.de">info@rosenberger.de</a>		Page 2 / 2