

DO NOT SCALE

DIMENSIONS IN mm

METRIC

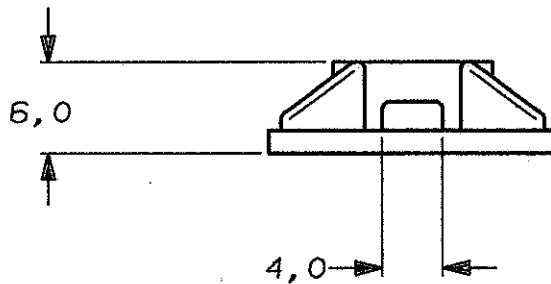
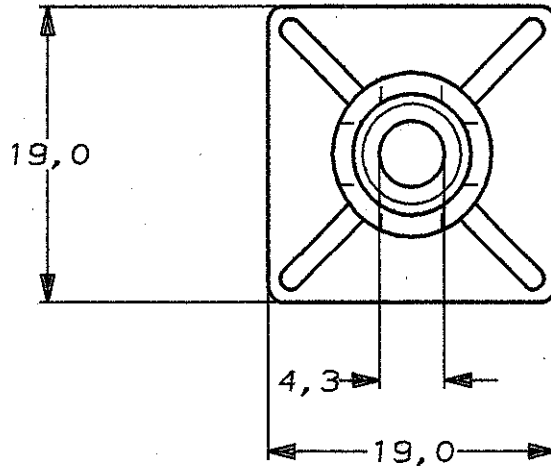
THIRD ANGLE

PROJECTION



NOTES:

- 1 MAX. CABLE TIE WIDTH 3,6.
- 2 TENSILE STRENGTH 415 kPa
- 3 APPL. TEMP. RANGE +10 - +38°C.



BLACK	POLYAMIDE 6/6	2-100693-2	100
NATURAL	POLYAMIDE 6/6	2-100693-1	100
FINISH	MATERIAL	PARTNUMBER	QTY

-	-	-	-	-
-	-	-	-	-
-	-	-	-	-
-	-	-	-	-
-	-	-	-	-
0	H-9856	JvdH	RV	09-06-92
LTR.	REVISION RECORD	DR.	CHK.	DATE

CUSTOMER DRAWING FOR REFERENCE ONLY
WILL NOT BE UPDATED

© COPYRIGHT 19- BY AMP HOLLAND B.V.
ALL INTERNATIONAL RIGHTS RESERVED. AMP PRODUCTS MAY BE
COVERED BY U.S. AND FOREIGN AND/OR PATENTS PENDING.

THIS DRAWING IS UNPUBLISHED
RELEASED FOR PUBLICATION _____, 19____

AMP | AMP HOLLAND B.V.
's-Hertogenbosch,
The Netherlands.

NAME
MOUNTING BASE.

DR.: J.V.D.HEIJDEN.	CHK.: R.VOS.	APP.: L.V.SOEST.	DWG.No.	REV.LTR.	SHEET
DATE: 09-06-92	DATE: -	DATE: -	C-100693	0	1 OF 1