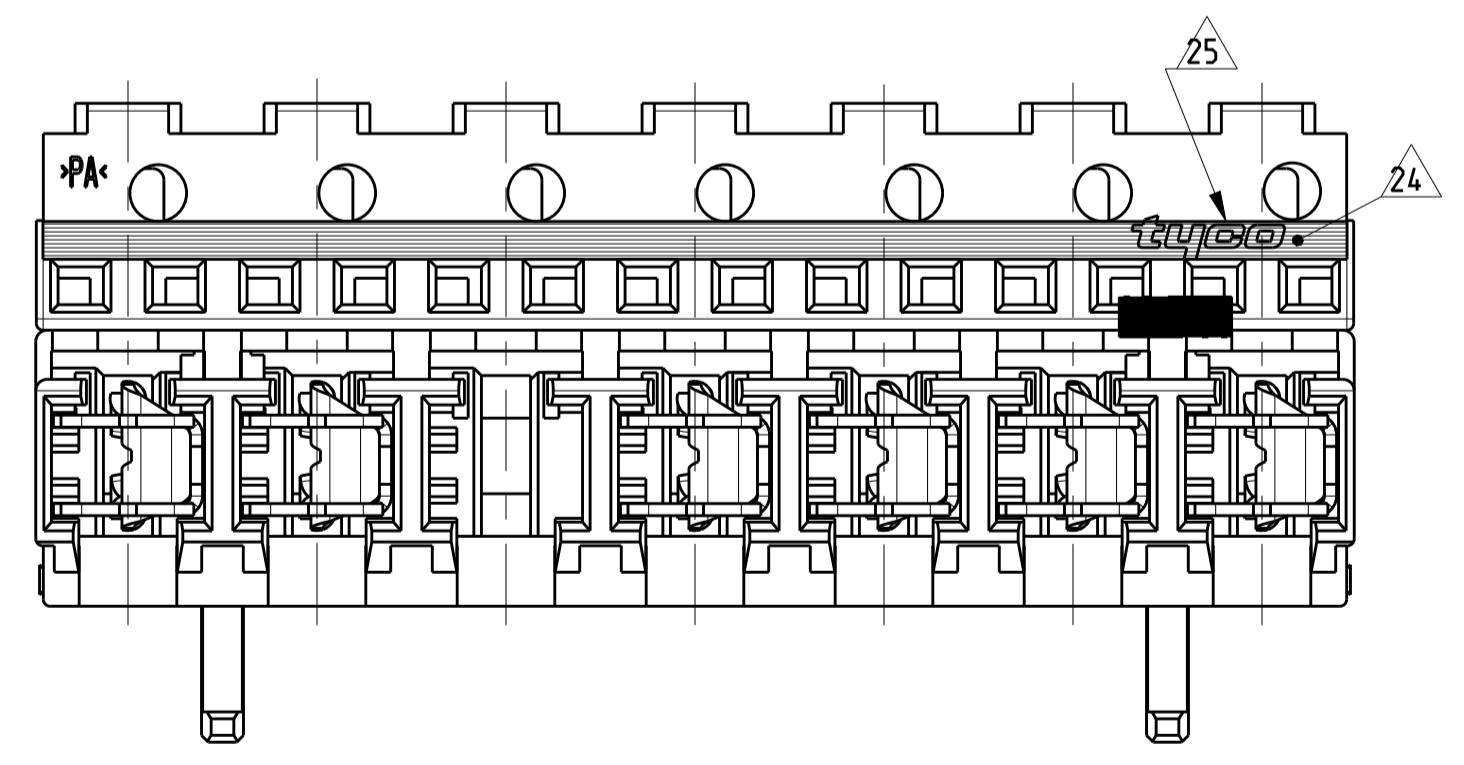
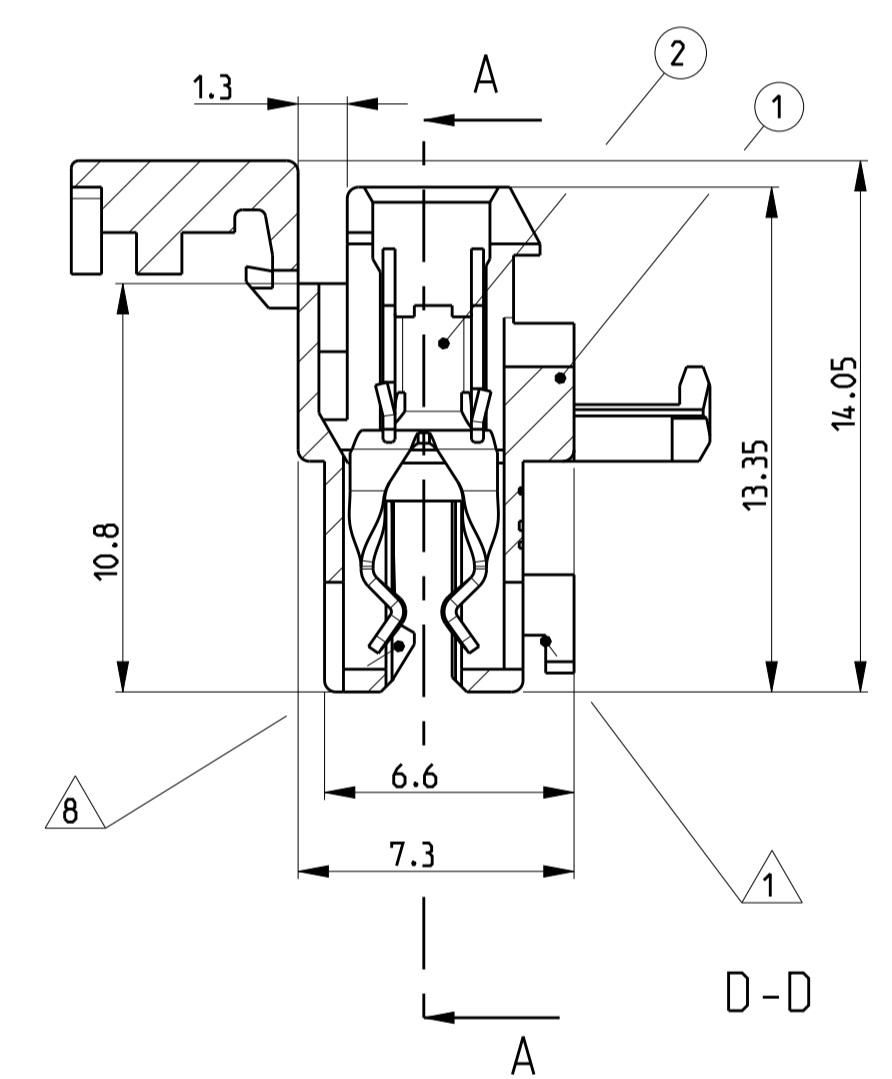
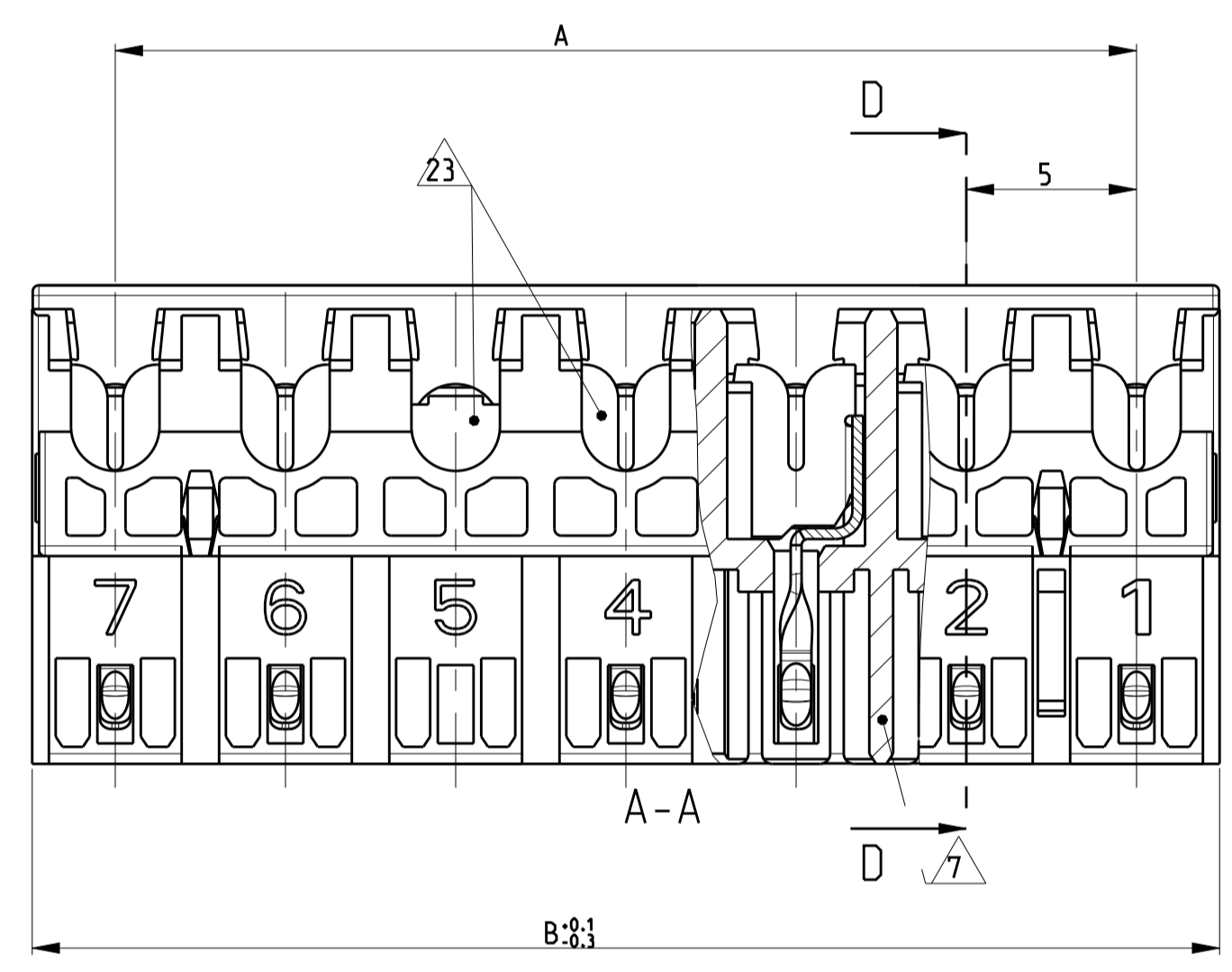
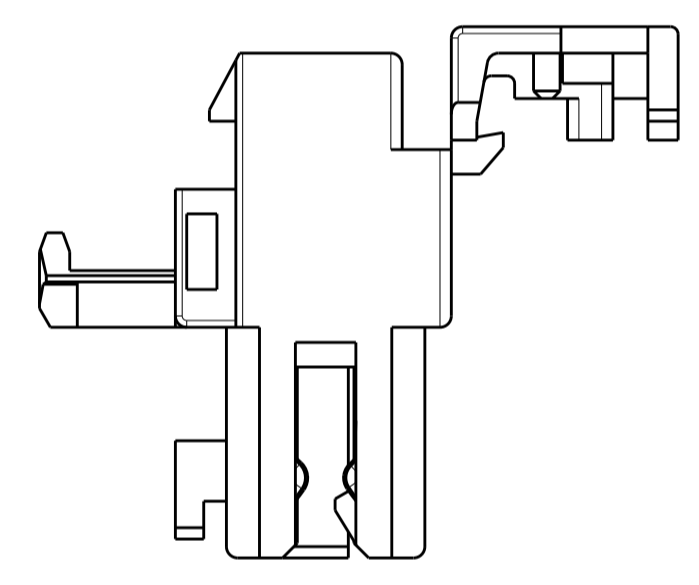
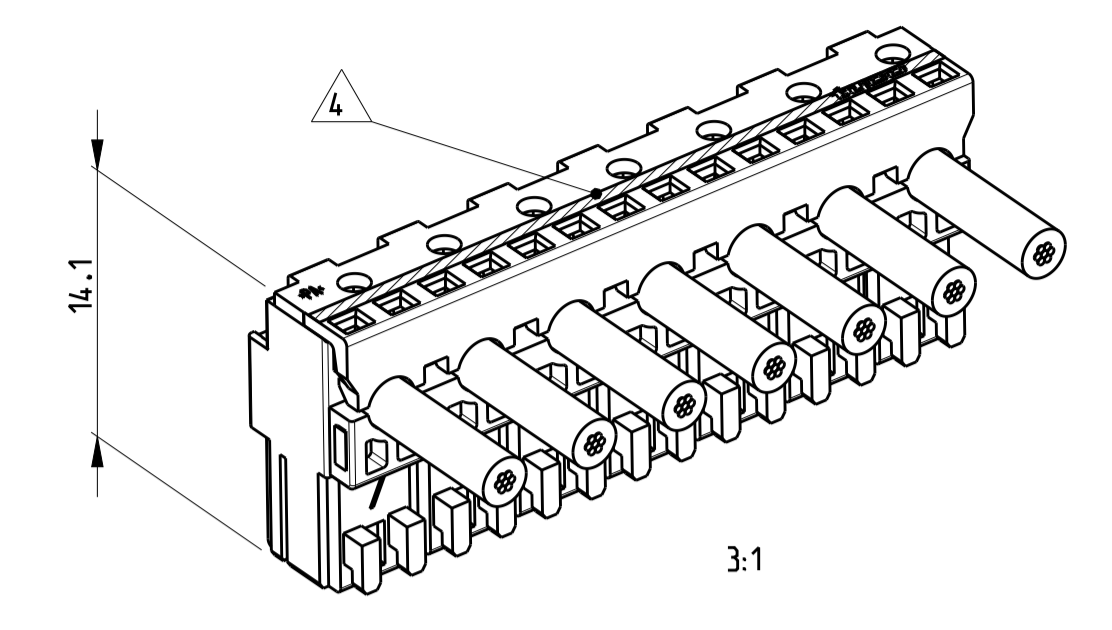


| LOC | DIST | REVISIONS |               |             |           |     |      |
|-----|------|-----------|---------------|-------------|-----------|-----|------|
| A1  | -    | P         | LTR           | DESCRIPTION | DATE      | DWN | APVD |
|     |      | B12       | ECR-16-009976 |             | 13JUL2016 | KD  | RR   |
|     |      | B13       | ECR-16-012199 |             | 25AUG2016 | KD  | RR   |
|     |      | B14       | ECR-16-016031 |             | 18NOV2016 | KD  | RR   |
|     |      | B15       | ECR-16-017136 |             | 09DEC2016 | KD  | RR   |



- 26. PRELIMINARY PART NOT RELEASED FOR PRODUCTION
- 25. TE LOGO
- 24. COLOUR MARKING IN THIS AREA. COLOUR SEE TABLE.  
Farbmarkierung in diesem Bereich. Farbe siehe Tabelle.
- 23. X...CAVITY LOADED WITH CONTACT  
O...CAVITY WITHOUT CONTACT  
X...Kammer mit Kontakt bestückt  
O...Kammer ohne Kontakt
- 22. INCLUSIVE COPPER CLADDING. SINGLE OR DOUBLE SIDED  
Inklusive Kupferkaschierung, ein oder doppelseitig
- 21. PCB PREFERABLY CHAMFERED  
Leiterplatte vorzugsweise angefast
- 20. SLOT FOR ADDITIONAL KEYING RIB BETWEEN CAVITY NO.  
Schlitz fuer zusaeztliche Kodierrippe zwischen Kammer Nr.
- 19. SLOT FOR SIDE KEYING NARROW AND REDUCED. ON CAVITY NO.1  
Schlitz fuer Seitenkodierung, eng und reduziert, bei Kammer Nr. 1
- 18. SLOT FOR SIDE KEYING. ON LAST CAVITY  
Schlitz fuer Seitenkodierung, bei letzter Kammer
- 17. SLOT FOR SIDE KEYING. ON CAVITY NO. 1  
Schlitz fuer Seitenkodierung, bei Kammer Nr. 1
- 16. IEC 60695-2-11 / IEC 60335-1 GLOW WIRE TEST 750 °C WITHOUT FLAME  
IEC 60695-2-11 / IEC 60335-1 Gluehdrahttest 750 °C ohne Flamme
- 14 - 15. -
- 13. SIDE KEYING, SMALL AND HALF, ON CAVITY NO. 1  
Seitenkodierung, schmal und halb, bei Kammer Nr. 1
- 9 - 12. -
- 8. LOCKING HOOK BETWEEN CAVITY NO. ...  
Rasthaken zwischen Kammernummer ...
- 7. ADDITIONAL KEYING RIB BETWEEN CAVITY NO.  
Zusaeztliche Kodierrippe zwischen Kammer Nr.
- 6. SIDE KEYING, ON LAST CAVITY  
Seitenkodierung, bei letzter Kammer
- 5. SIDE KEYING, ON CAVITY NO. 1  
Seitenkodierung, bei Kammer Nr. 1
- 4. COLOUR MARKING ON TOP OF HOUSING OPTIONAL ON TERMINATION MACHINE  
Farbmarkierung auf Gehaeuseoberseite optional an Verarbeitungsmaschine
- 3. MATING PART: PCB ACCORDING SHEET 2 OF 2  
Passender Gegenstecker: Leiterplatten siehe Blatt 2 von 2
- 2. WIRE RANGE: 0.35-0.75 mm<sup>2</sup> ACCORDING TO APPLICATION SPEC 114-18996  
Drahtgroessenbereich: 0,35 - 0,75 mm<sup>2</sup>; siehe Verarbeitungsspezifikation Nr.114-18996.
- 1. KEYING RIBS; CUTTING WITH TERMINATION MACHINE POSSIBLE  
Kodierrippe: Schneiden auf der Verarbeitungsmaschine moeglich

| POS. | PN<br>Betell-Nr. | DESCRIPTION<br>Beschreibung | MATERIAL  | COLOUR/FINISH<br>Farbe/Oberflaeche |
|------|------------------|-----------------------------|-----------|------------------------------------|
| 2    | SEE TABLE        | CONTACT                     | CuNiSi    | TINNED/verzinkt                    |
| 1    | siehe Tabelle    | HOUSING                     | PA6 GF 16 | NATURE/natur                       |

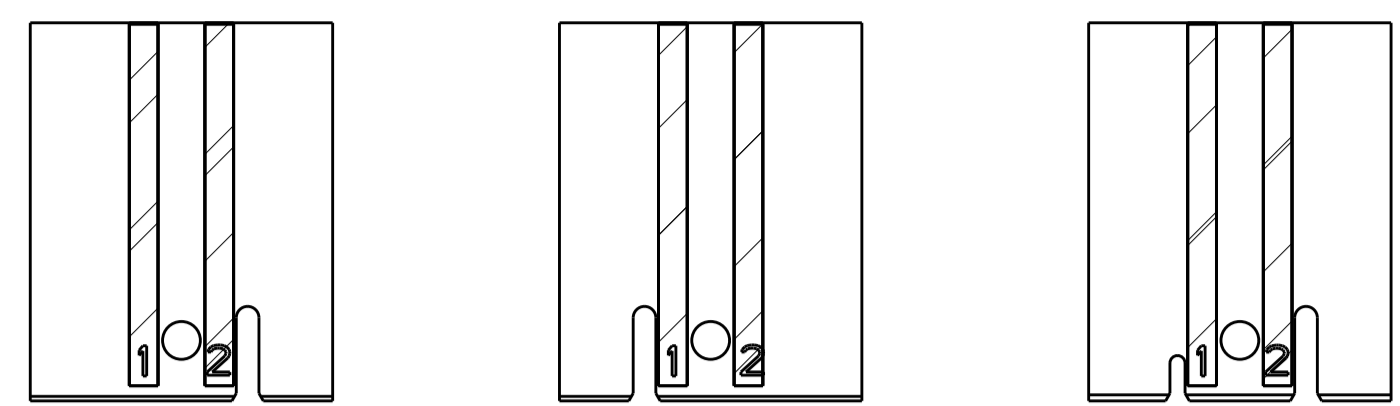
THIS DRAWING IS A CONTROLLED DOCUMENT.

|                       |  |  |                                     |
|-----------------------|--|--|-------------------------------------|
| DIMENSIONS:<br>mm     | TOLERANCES UNLESS OTHERWISE SPECIFIED: | DWN<br>H. Altmann<br>CHK<br>B. Schnaubel<br>APVD<br>T. Klenner | 01NOV2005<br>01NOV2005<br>01NOV2005 |
| MATERIAL<br>SEE TABLE | FINISH<br>SEE TABLE                    | NAME<br>TE Connectivity  | RESTRICTED TO                       |
| CUSTOMER DRAWING      |  | SIZE<br>A1   | CAGE CODE<br>00779                  |
| SCALE<br>5:1          |  | DRAWING NO.<br>C=1740533                                       | SHEET<br>1 OF 3                     |

**PCB LAYOUT**  
**Leiterplattenanschluss**

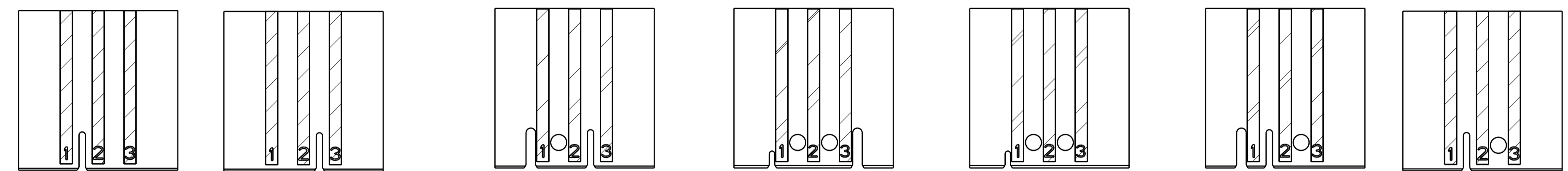
| LOC |   | DIST |     | REVISIONS   |      |     |      |
|-----|---|------|-----|-------------|------|-----|------|
| A   | I | P    | LTR | DESCRIPTION | DATE | DWN | APVD |
| -   | - | -    | -   | SEE SHEET 1 | -    | -   | -    |

2 POSITION  
2 polig



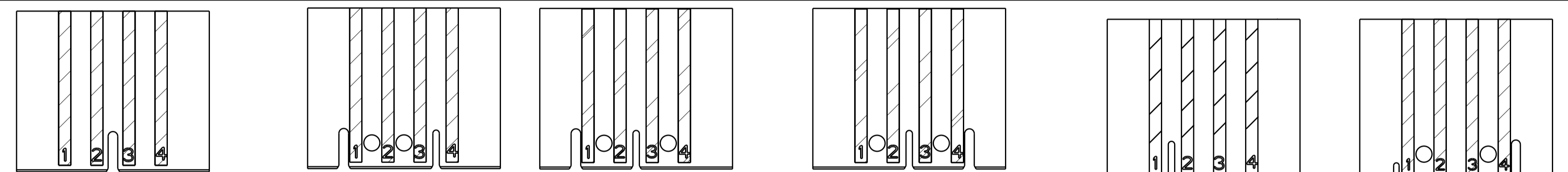
LAYOUT FOR CONNECTOR NO. 0-1740533-2      LAYOUT FOR CONNECTOR NO. 1-1740533-2      LAYOUT FOR CONNECTOR NO. 2-1740533-2

3 POSITION  
3 polig



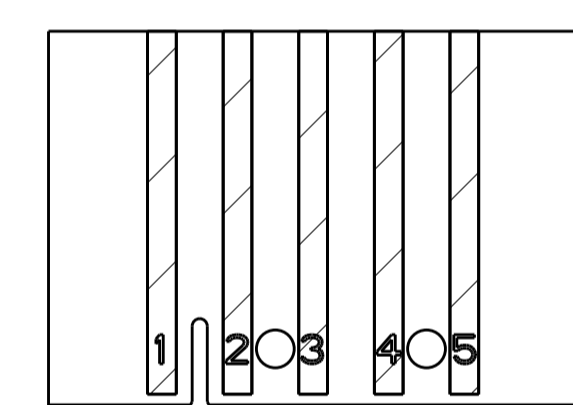
LAYOUT FOR CONNECTOR NO. 7-1740533-3      LAYOUT FOR CONNECTOR NO. 6-1740533-3      LAYOUT FOR CONNECTOR NO. 0-1740533-3      LAYOUT FOR CONNECTOR NO. 1-1740533-3      LAYOUT FOR CONNECTOR NO. 2-1740533-3      LAYOUT FOR CONNECTOR NO. 3-1740533-3 (WITHOUT PAD 3)      LAYOUT FOR CONNECTOR NO. 4-1740533-3 (WITHOUT PAD 1)      LAYOUT FOR CONNECTOR NO. 5-1740533-3      LAYOUT FOR CONNECTOR NO. 8-1740533-3

4 POSITION  
4 polig



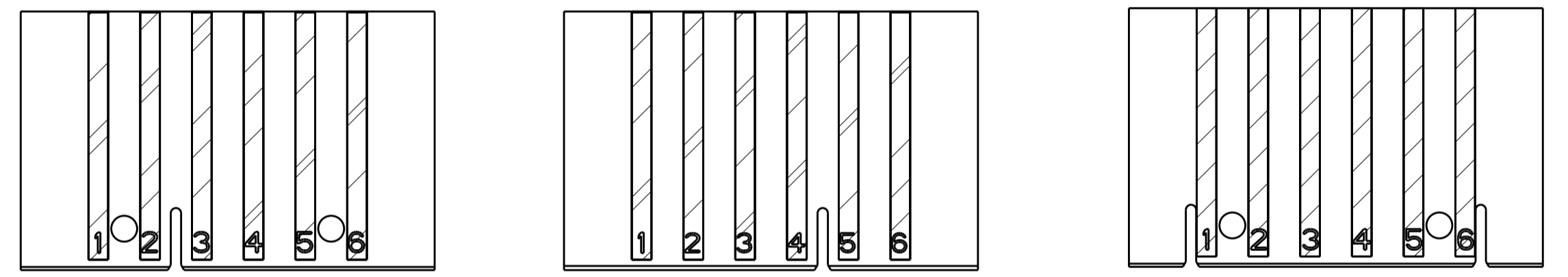
LAYOUT FOR CONNECTOR NO. 5-1740533-4      LAYOUT FOR CONNECTOR NO. 3-1740533-4      LAYOUT FOR CONNECTOR NO. 0-1740533-4 (WITHOUT PAD 2)      LAYOUT FOR CONNECTOR NO. 1-1740533-4      LAYOUT FOR CONNECTOR NO. 4-1740533-4      LAYOUT FOR CONNECTOR NO. 6-1740533-4

5 POSITION  
5 polig



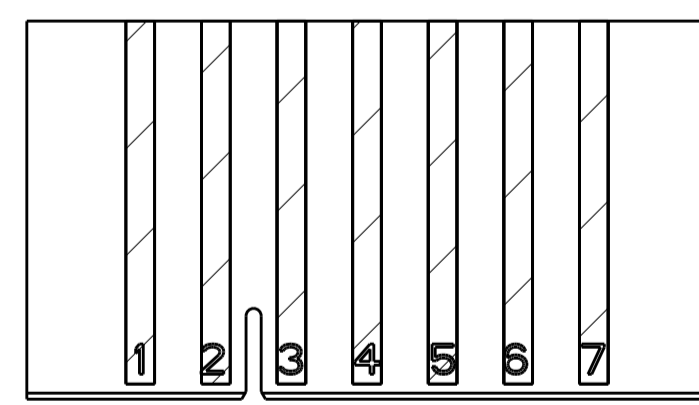
LAYOUT FOR CONNECTOR NO. 0-1740533-5

6 POSITION  
6 polig

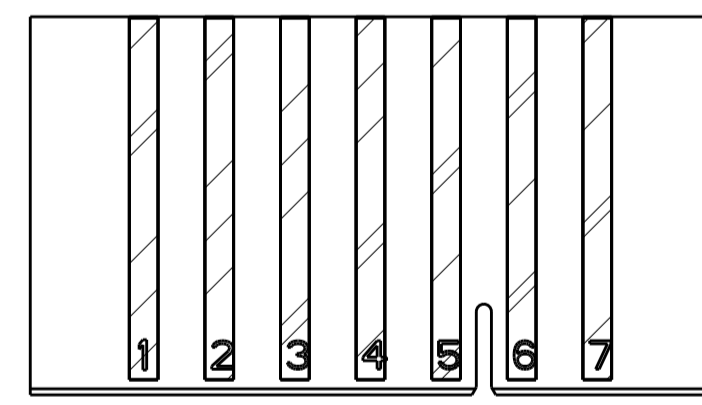


LAYOUT FOR CONNECTOR NO. 0-1740533-6 (WITHOUT PAD 2/5/6)      LAYOUT FOR CONNECTOR NO. 1-1740533-6      LAYOUT FOR CONNECTOR NO. 2-1740533-6      LAYOUT FOR CONNECTOR NO. 3-1740533-6 (WITHOUT PAD 2)      LAYOUT FOR CONNECTOR NO. 4-1740533-6

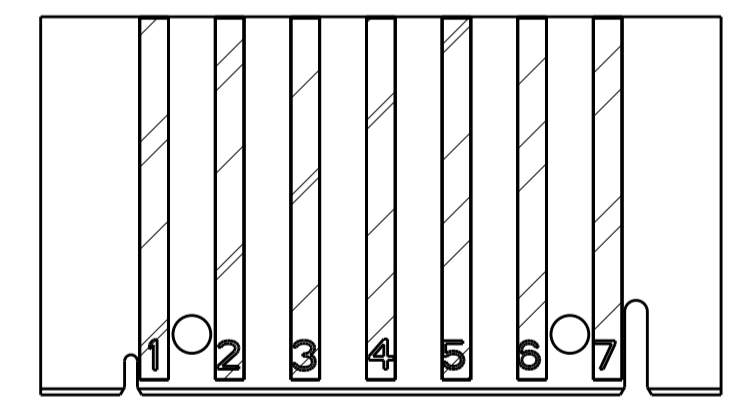
7 POSITION  
7 polig



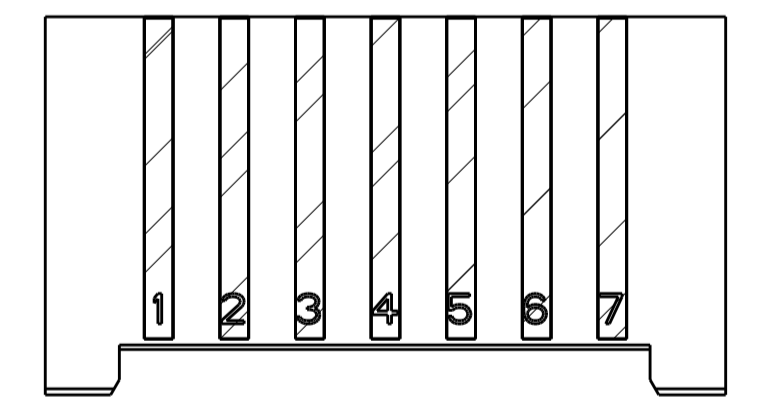
LAYOUT FOR CONNECTOR NO. 4-1740533-7



LAYOUT FOR CONNECTOR NO. 0-1740533-7

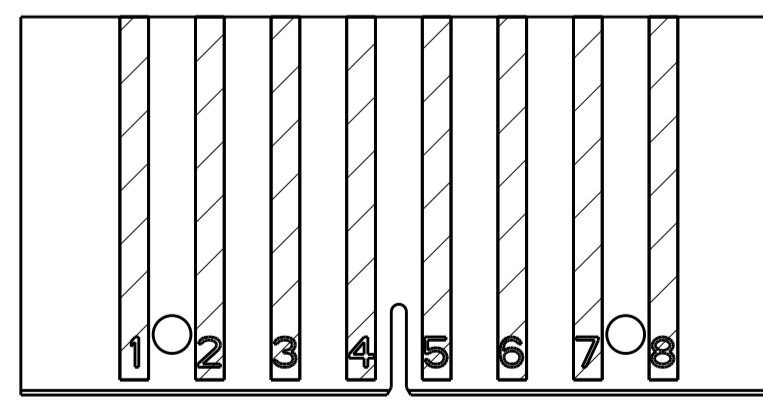


LAYOUT FOR CONNECTOR NO. 1-1740533-7

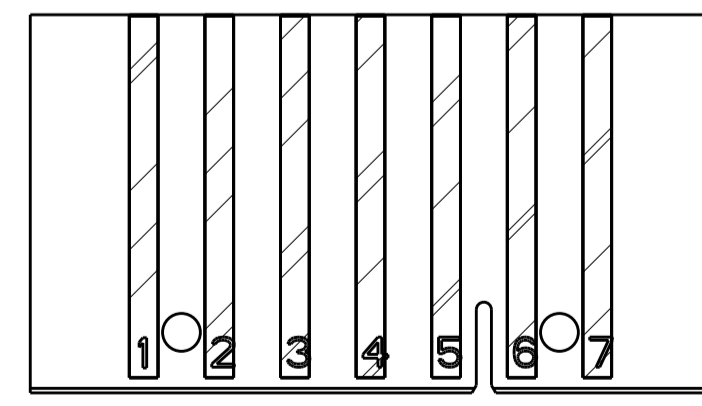


LAYOUT FOR CONNECTOR NO. 2-1740533-7

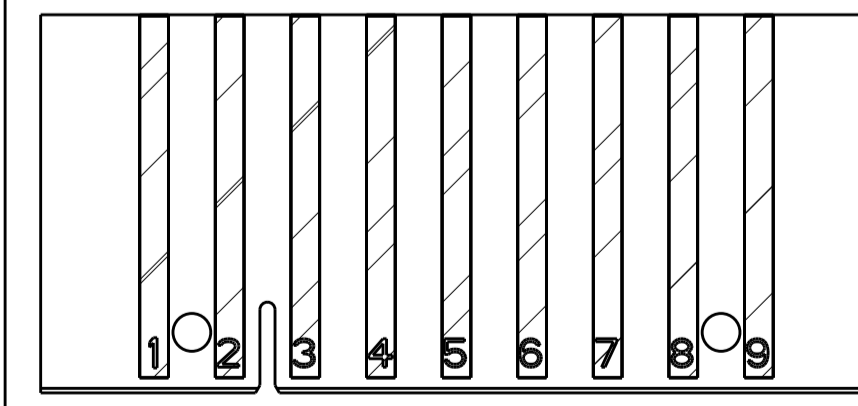
8 POSITION



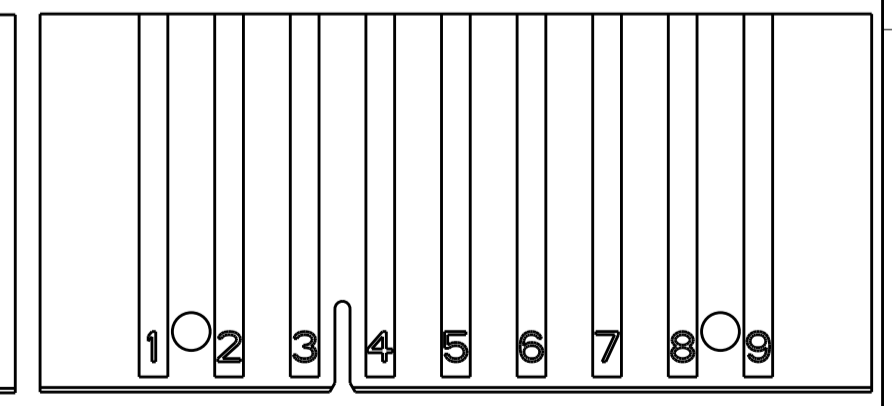
LAYOUT FOR CONNECTOR NO. 0-1740533-8



LAYOUT FOR CONNECTOR NO. 3-1740533-7



LAYOUT FOR CONNECTOR NO. 0-1740533-9



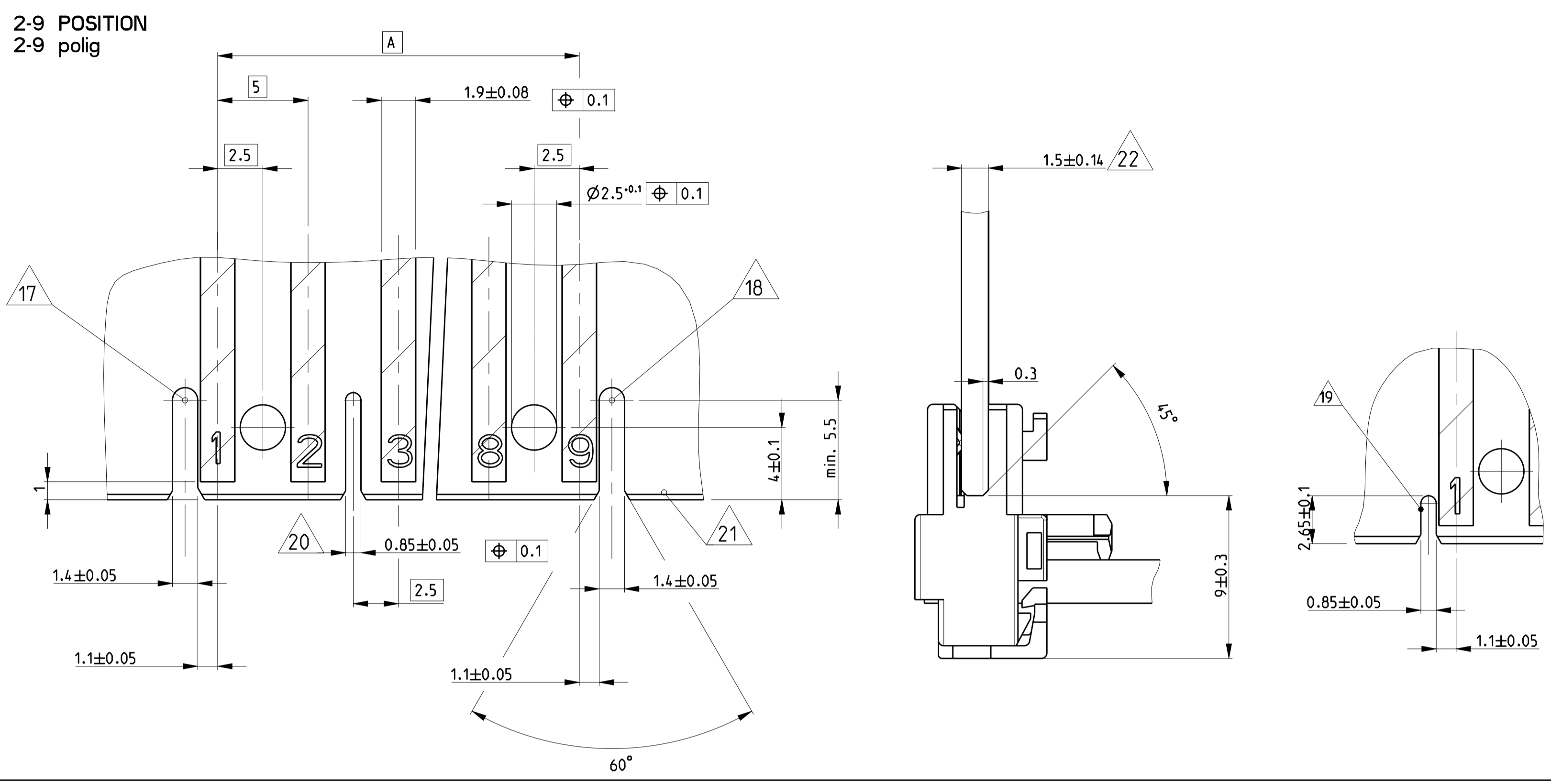
LAYOUT FOR CONNECTOR NO. 2-1740533-9

9 POSITION  
9 polig

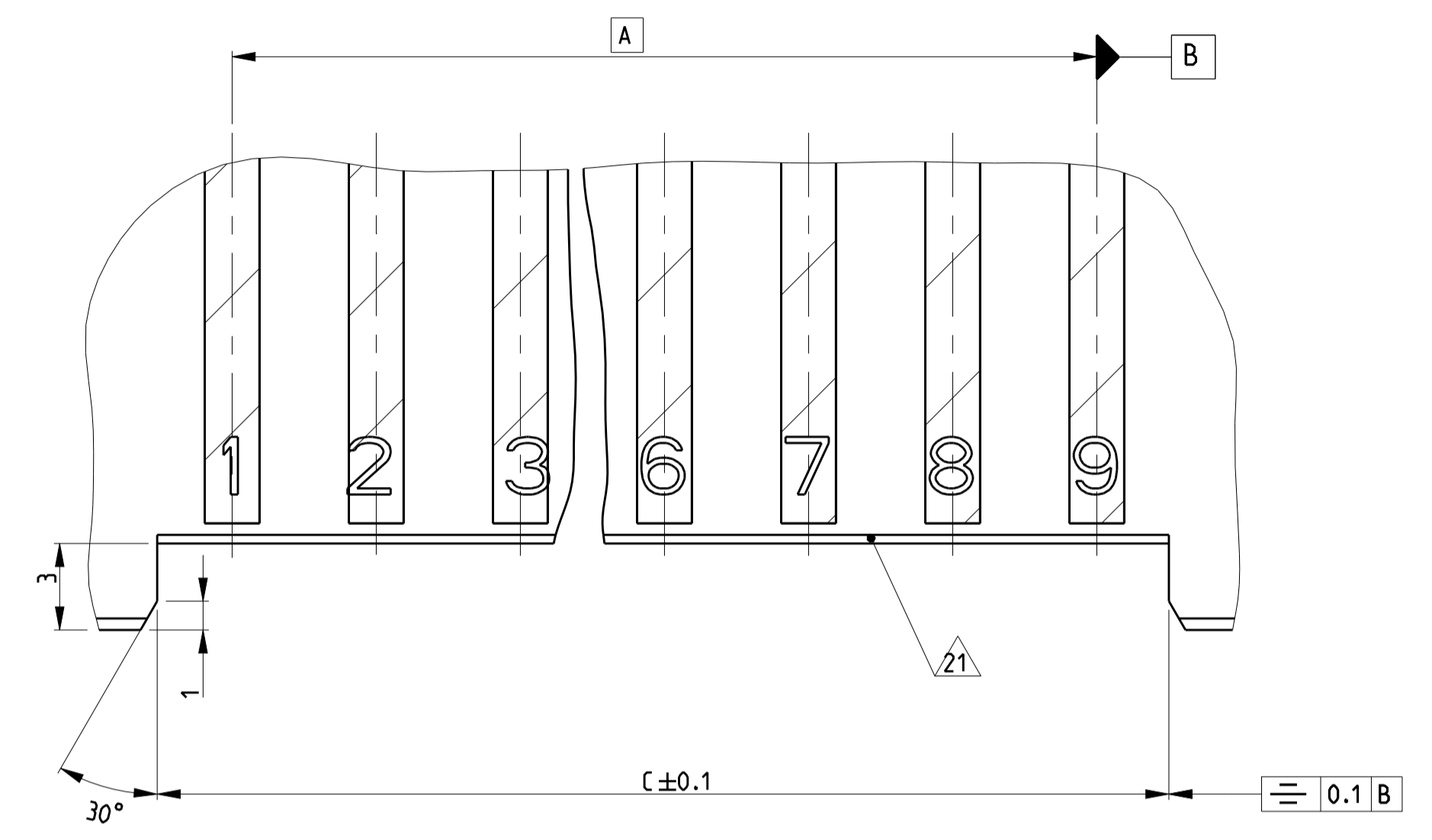
|   |  |   |   |
|---|--|---|---|
| THIS DRAWING IS A CONTROLLED DOCUMENT.  |  | DWN: H. Altmann 01NOV2005                   | TE Connectivity<br>NAME: AMP DUOPLUG POWER FEMALE CONNECTOR 2-9 POSITION (WITH PCB LOCKING)<br>PRODUCT SPEC: 108-18780<br>APPLICATION SPEC: 116-18996<br>WEIGHT: -<br>SCALE: 5:1 SHEET 2 OF 3 |
| DIMENSIONS: mm  |  | CHE: B. Schnaubel 01NOV2005                 |   |
| TOLERANCES UNLESS OTHERWISE SPECIFIED:  |  | APVD: T. Klenner 01NOV2005                  |   |
| 0 PLC ±0.2<br>1 PLC ±0.2<br>2 PLC ±0.2<br>3 PLC ±0.2<br>4 PLC ±0.2<br>ANGLES ±°<br>FINISH SEE TABLE |  | CUSTOMER DRAWING<br>SCALE: 5:1 SHEET 2 OF 3 |   |

| LOC | DIST | REVISIONS |     |             |      |     |      |
|-----|------|-----------|-----|-------------|------|-----|------|
| A1  | -    | P         | LTR | DESCRIPTION | DATE | DWN | APVD |
|     |      | -         |     | SEE SHEET 1 | -    | -   | -    |

PCB LAYOUT IN GENERAL  
 Leiterplattenanschluss allgemein



PCB LAYOUT FOR VERSIONS WITHOUT KEYING RIBS/  
 LOCKING HOOKS (E. G. PN 2-1740533-7)  
 Leiterplattenanschluss fuer Version ohne Kodierrippen/  
 Rasthaken (z. B. Nr. 2-1740533-7)



|               |   |    |   |   |   |   |   |   |   |   |  |       |       |       |        |        |        |           |              |             |
|---------------|---|----|---|---|---|---|---|---|---|---|--|-------|-------|-------|--------|--------|--------|-----------|--------------|-------------|
| -             | X | X  | X | X | X | X | X | X | X | 9 | 40                                     | 44.9  | -     | -     | 3/4    | -      | -      | 1/2 + 8/9 | 2-1740533-9  |             |
| GREEN/gruen   | 0 | X  | X | X | X | X | X | X | X | 9 | 40                                     | 44.9  | -     | -     | 2/3    | -      | -      | 1/2 + 8/9 | 1-1740533-9  |             |
| GREEN/gruen   | X | X  | X | X | X | X | X | X | X | 9 | 40                                     | 44.9  | -     | -     | 2/3    | -      | -      | 1/2 + 8/9 | 0-1740533-9  |             |
| -             |   | X  | X | X | X | X | X | X | X | 8 | 35                                     | 39.9  | -     | -     | 4/5    | -      | -      | 1/2 + 7/8 | 0-1740533-8  |             |
| -             |   |    | X | X | X | X | X | X | X | 7 | 30                                     | 34.9  | -     | -     | 2/3    | -      | -      | -         | 4-1740533-7  |             |
| -             |   |    | X | X | X | X | X | X | X | 7 | 30                                     | 34.9  | -     | -     | 5/6    | -      | -      | 1/2 + 6/7 | 3-1740533-7  |             |
| -             |   |    | X | X | X | X | X | X | X | 7 | 30                                     | 34.9  | 35.1  | -     | -      | -      | -      | -         | 2-1740533-7  |             |
| -             |   |    | X | X | X | X | X | X | X | 7 | 30                                     | 34.9  | -     | X     | -      | -      | X      | 1/2 + 6/7 | 1-1740533-7  |             |
| -             |   |    | X | X | X | X | X | X | X | 7 | 30                                     | 34.9  | -     | -     | 5/6    | -      | -      | -         | 0-1740533-7  |             |
| BLACK/schwarz |   |    | X | X | X | X | X | X | X | 6 | 25                                     | 29.9  | -     | -     | -      | X      | X      | 1/2 + 5/6 | 4-1740533-6  |             |
| -             |   |    | X | X | X | X | X | X | X | 6 | 25                                     | 29.9  | -     | -     | 2/3    | -      | -      | 1/2 + 5/6 | 3-1740533-6  |             |
| BLACK/schwarz |   |    | X | X | X | X | X | X | X | 6 | 25                                     | 29.9  | -     | -     | 2/3    | -      | -      | 1/2 + 5/6 | 1-1740533-6  |             |
| BLACK/schwarz |   | 0  | 0 | X | X | 0 | X |   |   | 6 | 25                                     | 29.9  | -     | -     | 2/3    | -      | -      | 1/2 + 5/6 | 0-1740533-6  |             |
|               |   |    |   | X | X | X | X | X | X | 5 | 20                                     | 24.95 | -     | -     | 1/2    | -      | -      | 2/3 + 4/5 | 0-1740533-5  |             |
|               |   |    |   | X | X | X | X | X | X | 4 | 15                                     | 19.9  | -     | X     | -      | X      | -      | 1/2 + 3/4 | 6-1740533-4  |             |
|               |   |    |   | X | X | X | X | X | X | 4 | 15                                     | 19.9  | -     | -     | 2/3    | -      | -      | -         | 5-1740533-4  |             |
|               |   |    |   | X | X | X | X | X | X | 4 | 15                                     | 19.9  | -     | -     | 1/2    | -      | -      | -         | 4-1740533-4  |             |
| BROWN/braun   |   |    |   | X | X | X | X | X | X | 4 | 15                                     | 19.9  | -     | -     | 3/4    | -      | X      | 1/2 + 2/3 | 3-1740533-4  |             |
| BROWN/Braun   |   |    |   | X | X | X | X | X | X | 4 | 15                                     | 19.9  | -     | -     | 2/3    | -      | X      | 1/2 + 3/4 | 2-1740533-4  |             |
| BLUE/blau     |   |    |   | X | X | X | X | X | X | 4 | 15                                     | 19.9  | -     | -     | 2/3    | X      | -      | 1/2 + 3/4 | 1-1740533-4  |             |
| BROWN/braun   |   |    |   | X | X | 0 | X |   |   | 4 | 15                                     | 19.9  | -     | -     | 2/3    | -      | X      | 1/2 + 3/4 | 0-1740533-4  |             |
| BLUE/blau     |   |    |   | X | X | X | X | X | X | 3 | 10                                     | 14.9  | -     | X     | -      | X      | -      | 1/2 + 2/3 | 8-1740533-3  |             |
|               |   |    |   | X | X | X |   |   |   |   |  |       | -     | -     | 1/2    | -      | -      | -         | 7-1740533-3  |             |
|               |   |    |   | X | X | X |   |   |   |   |  |       | -     | -     | 2/3    | -      | -      | -         | 6-1740533-3  |             |
|               |   |    |   | X | X | X |   |   |   | 3 | 10                                     | 14.9  | -     | -     | 1/2    | -      | -      | 2/3       | 5-1740533-3  |             |
| BLACK/Schwarz |   |    |   | X | X | 0 |   |   |   |   |  |       | -     | -     | 1/2    | -      | X      | 2/3       | 4-1740533-3  |             |
| BLACK/schwarz |   |    |   | 0 | X | X |   |   |   | 3 | 10                                     | 14.9  | -     | -     | 1/2    | -      | X      | 2/3       | 3-1740533-3  |             |
| -             |   |    |   | X | X | X |   |   |   | 3 | 10                                     | 14.9  | -     | X     | -      | -      | -      | 1/2 + 2/3 | 2-1740533-3  |             |
| -             |   |    |   | X | X | X |   |   |   | 3 | 10                                     | 14.9  | -     | X     | -      | X      | -      | 1/2 + 2/3 | 1-1740533-3  |             |
| BLACK/schwarz |   |    |   | X | X | X |   |   |   | 3 | 10                                     | 14.9  | -     | -     | 2/3    | -      | X      | 1/2       | 0-1740533-3  |             |
| -             |   |    |   | X | X |   |   |   |   | 2 | 5                                      | 9.9   | -     | X     | -      | X      | -      | 1/2       | 2-1740533-2  |             |
| RED/rot       |   |    |   | X | X |   |   |   |   | 2 | 5                                      | 9.9   | -     | -     | -      | -      | X      | 1/2       | 1-1740533-2  |             |
| GREEN/gruen   |   |    |   | X | X |   |   |   |   | 2 | 5                                      | 9.9   | -     | -     | -      | -      | X      | 1/2       | 0-1740533-2  |             |
| COLOUR/Farbe  |   | 9  | 8 | 7 | 6 | 5 | 4 | 3 | 2 | 1 | POS.                                   | DIM A | DIM B | DIM C | KEYING | KEYING | KEYING | KEYING    | LOCKING HOOK | PN          |
|               |   | 24 |   |   |   |   |   |   |   |   | Polzahl                                |       |       |       | 13     | 7      | 6      | 5         | 8            | Bestell-Nr. |
|               |   |    |   |   |   |   |   |   |   |   | CAVITY NO. LOADED/Kammer Nr. bestueckt |       |       |       |        |        |        |           |              |             |

THIS DRAWING IS A CONTROLLED DOCUMENT. DIMENSIONS: mm. TOLERANCES UNLESS OTHERWISE SPECIFIED: 0 PLC ±0.2, 1 PLC ±0.2, 2 PLC ±0.2, 3 PLC ±0.2, 4 PLC ±0.2, ANGLES FINISH ±0.2°.

APPROVED: SUDHAKAR 28OCT2013. NAME: RAJENDRA 28OCT2013. PRODUCT SPEC: 108-18750 APPLICATION SPEC. WEIGHT: 116-18996. SCALE: 5:1. SHEET 3 OF 3. REV 15.

STE TE Connectivity. AMP DUOPLUG POWER FEMALE CONNECTOR 2-9 POSITION (WITH PCB LOCKING). CUSTOMER DRAWING.