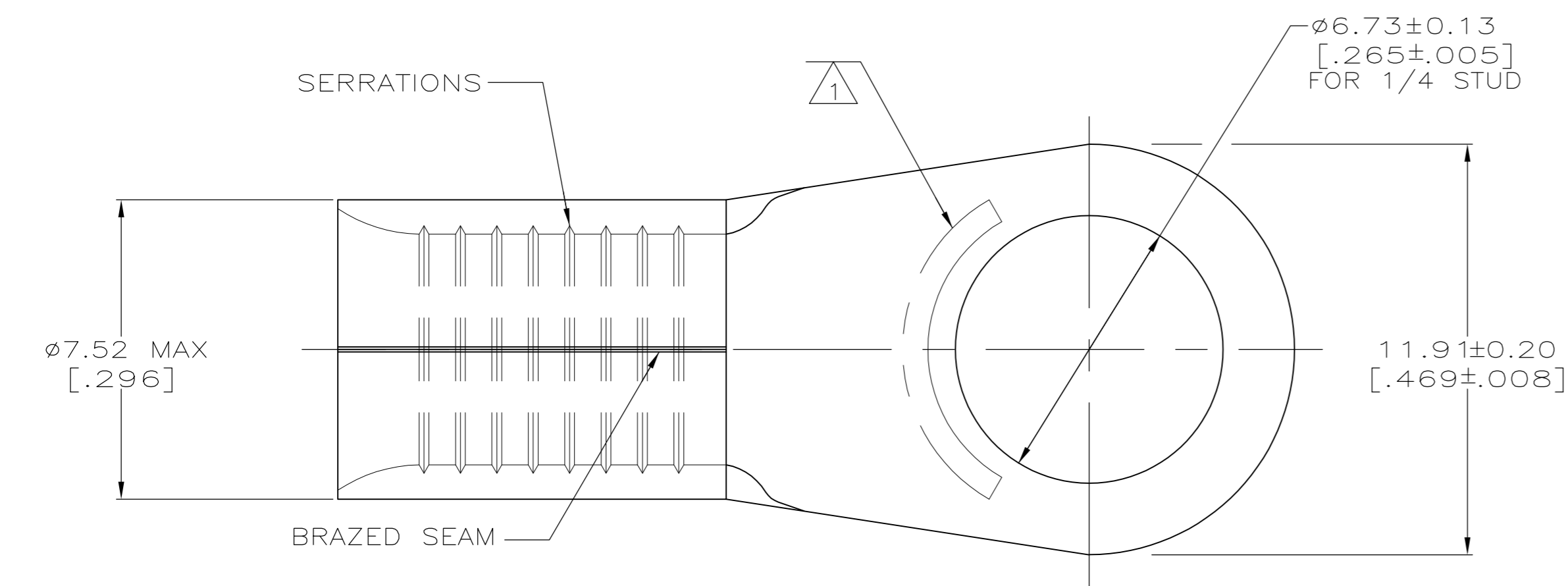


THIS DRAWING IS UNPUBLISHED. RELEASED FOR PUBLICATION
 © COPYRIGHT - By - ALL RIGHTS RESERVED.

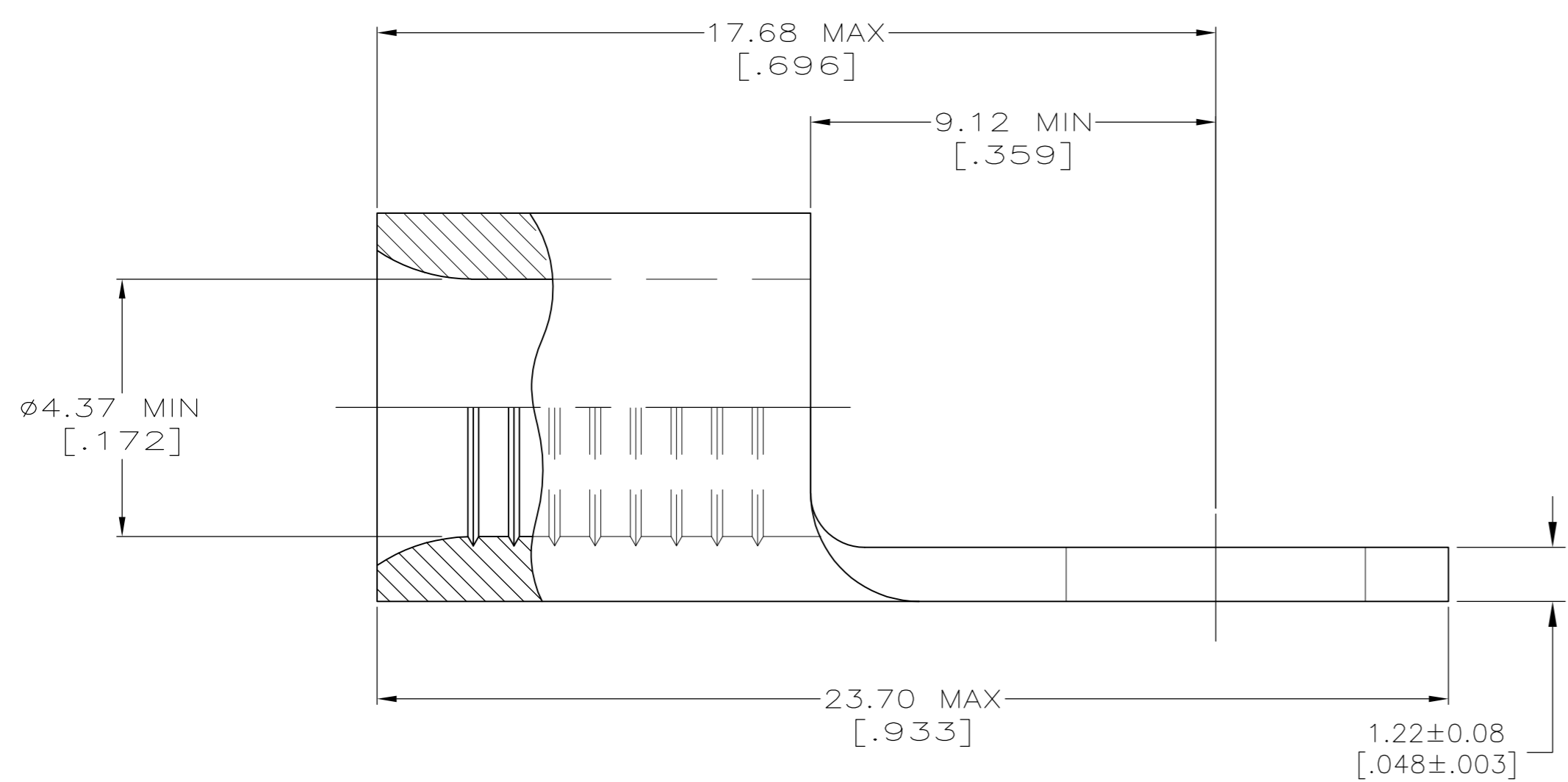
LOC		DIST		REVISIONS			
P	LTR	DESCRIPTION	DATE	DWN	APVD		
	T2	REVISED PER ECO-11-004587	11MAR11	RK	HMR		

AMP
WIRE RANGE

8 AWG
SOLID OR STRANDED



- 1 STAMP AMP 8* APPROX AS SHOWN
- 2 UL LISTED E13288, 8 AWG STRANDED
- 3 CSA CERTIFIED LR7189, 8 AWG SOLID OR STRANDED
- 4 MILITARY MS20659-141 CLASS 2
- 5 SUPERSEDED BY 8-33461-1
- 6 TIN PLATE 0.00254 [.000100] MIN THK PER ASTM B545
- 7 TIN-LEAD (60-40) PLATE 0.00254 [.000100] MIN THK PER SAE-AMS-P-81728
- 9 PRELIMINARY - NOT FOR PRODUCTION



APPROVALS	FINISH	QTY	PACKAGE TYPE	PART NO.
2 3	6	25	LOOSE PIECE, BAG	8-33461-5
2 3	6	50	LOOSE PIECE, BOX	9 8-33461-2
2 3	6	100	LOOSE PIECE, BOX	8-33461-1
2 3	6	1000	33461 TAPE MOUNTED ON 30.48[1.200] CENTERS	2-33461-3
2 3 4	6	1500	33461 TAPE MOUNTED ON 15.24[.600] CENTERS	2-33461-2
---	7	50	LOOSE PIECE	9 33461-1
2 3 4	6	100	LOOSE PIECE	33461

AMP INCORPORATED
CUSTOMER SERVICE SYSTEMS

MAX RECOMMENDED OPERATING TEMPERATURE:
170°C MAX

VOLTAGE RATING:
N/A

CIRCULAR MIL AREA:
6.64-10.5mm² [13,100-20,800]
SOLID OR STRANDED

FOR ADDITIONAL PRODUCT INFORMATION OR COPIES OF DRAWINGS AND TECHNICAL DOCUMENTS: PRODUCT INFORMATION CENTER 1-800-522-6752

FOR APPLICATION TOOLING INFORMATION: TOOLING ASSISTANCE CENTER 1-800-722-1111

FOR ORDER ENTRY: 1-800-526-5142

THIS DRAWING IS A CONTROLLED DOCUMENT FOR AMP INCORPORATED. IT IS SUBJECT TO CHANGE AND THE CONTROLLING ENGINEERING ORGANIZATION SHOULD BE CONTACTED FOR THE LATEST REVISION.

THIS DRAWING IS A CONTROLLED DOCUMENT.

DWN TA BRINKMAN 3-24-93
CHK DA PATTERSON 3-24-93
APVD JL MECKLEY 3-24-93

TE TE Connectivity

NAME: TERMINAL, RING TONGUE, SOLISTRAND

DIMENSIONS: INCHES

TOLERANCES UNLESS OTHERWISE SPECIFIED:
0 PLC ± -
1 PLC ± -
2 PLC ± -
3 PLC ± -
4 PLC ± -
ANGLES ± -

MATERIAL: COPPER PER ASTM B-152 ANNEALED

FINISH: -

WEIGHT: -

SIZE: A2 CAGE CODE: 00779 DRAWING NO: C-33461

CUSTOMER DRAWING SCALE: 8:1 SHEET: 1 OF 1 REV: T2