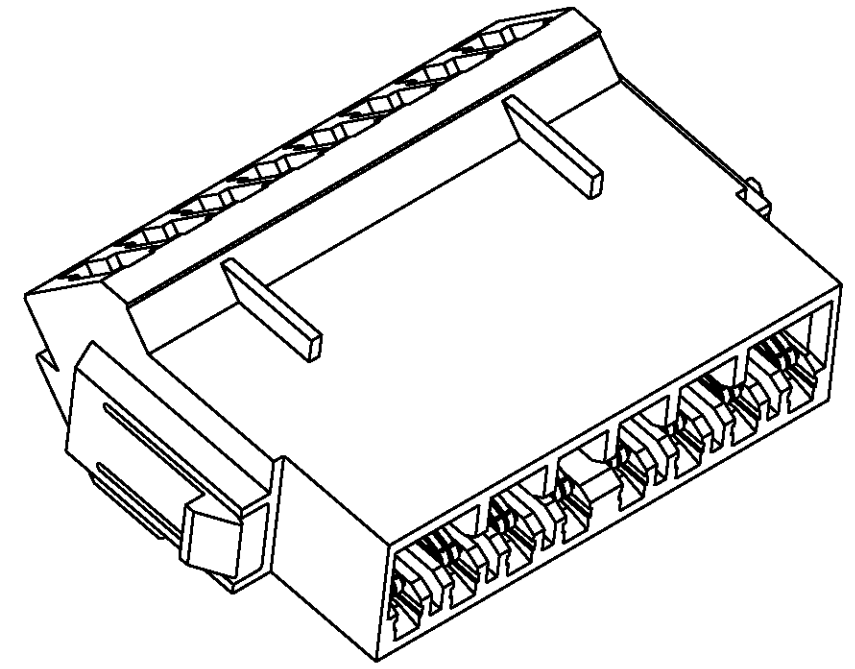
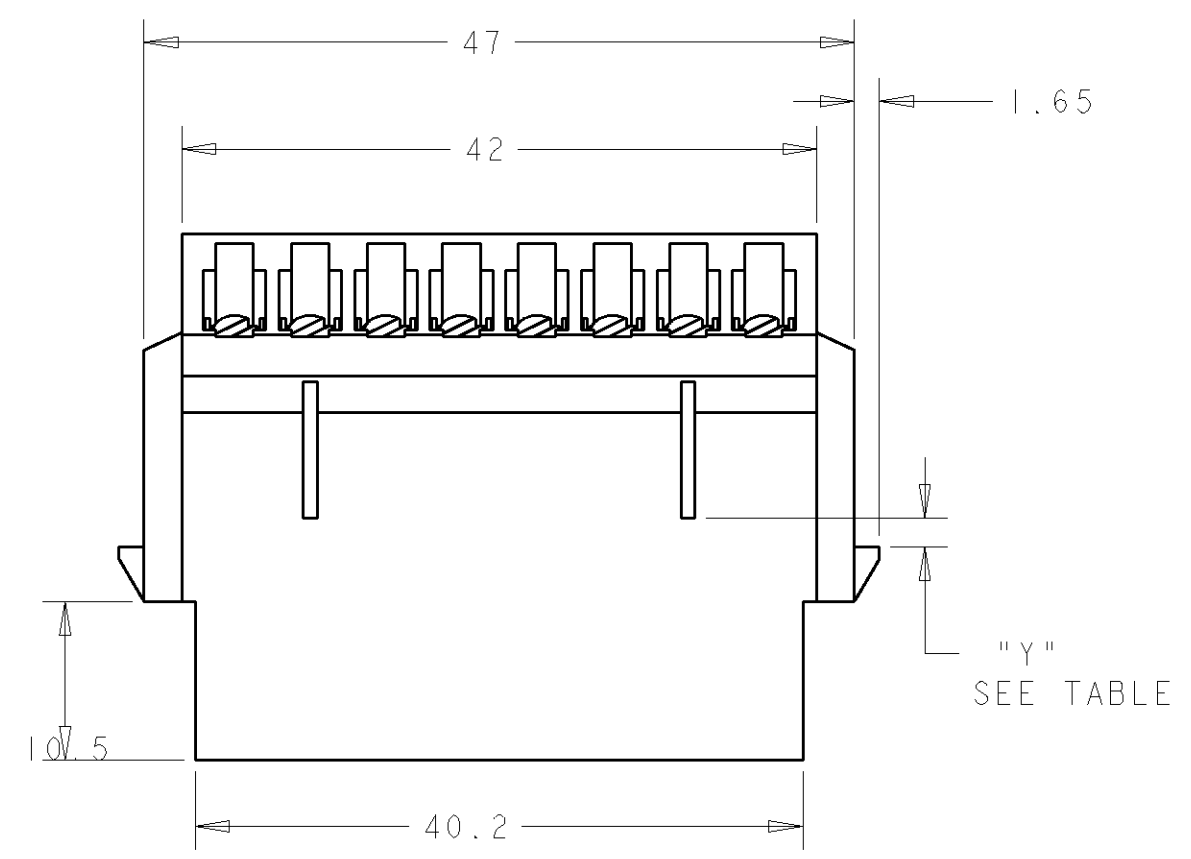


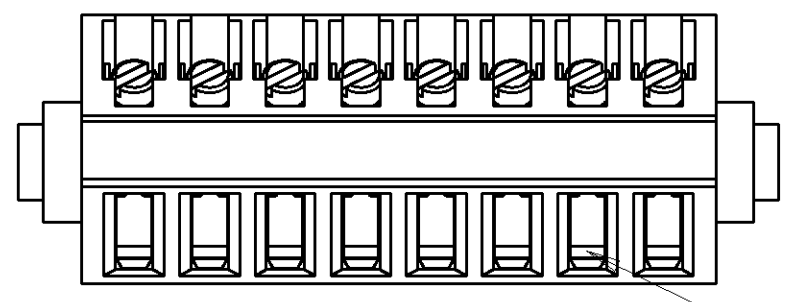
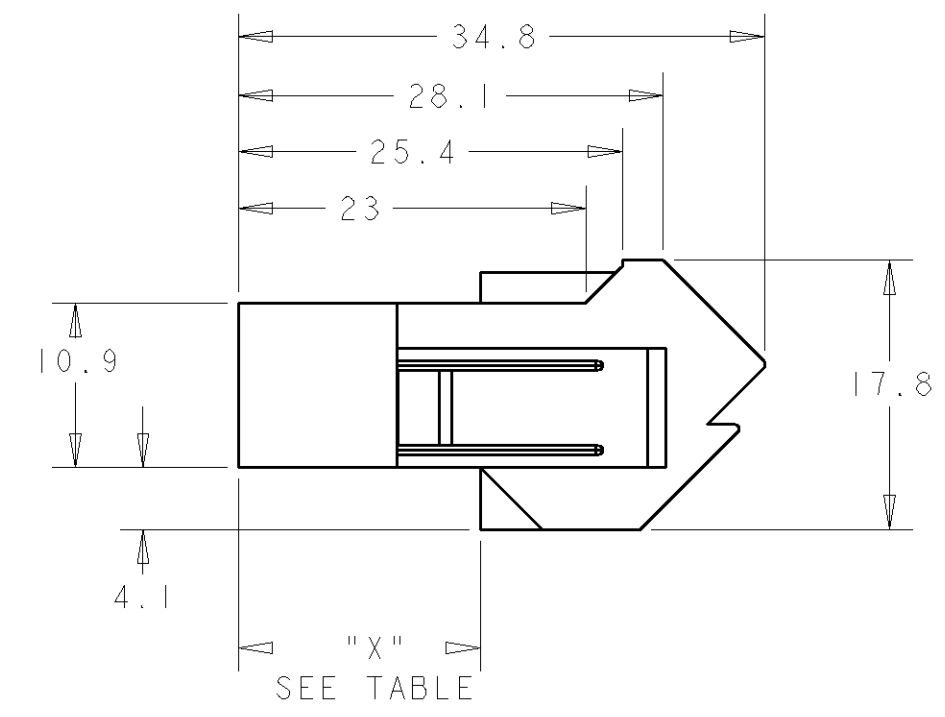
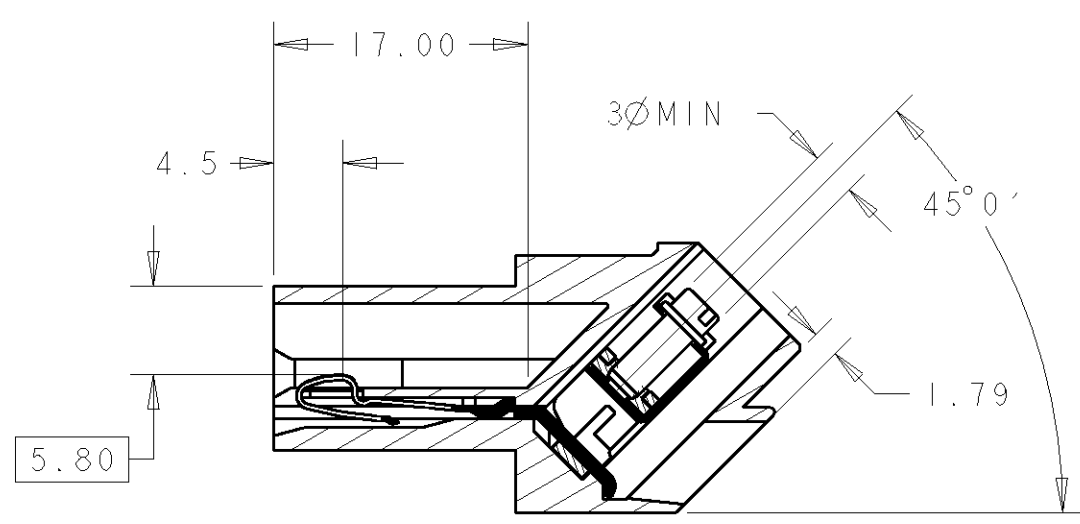
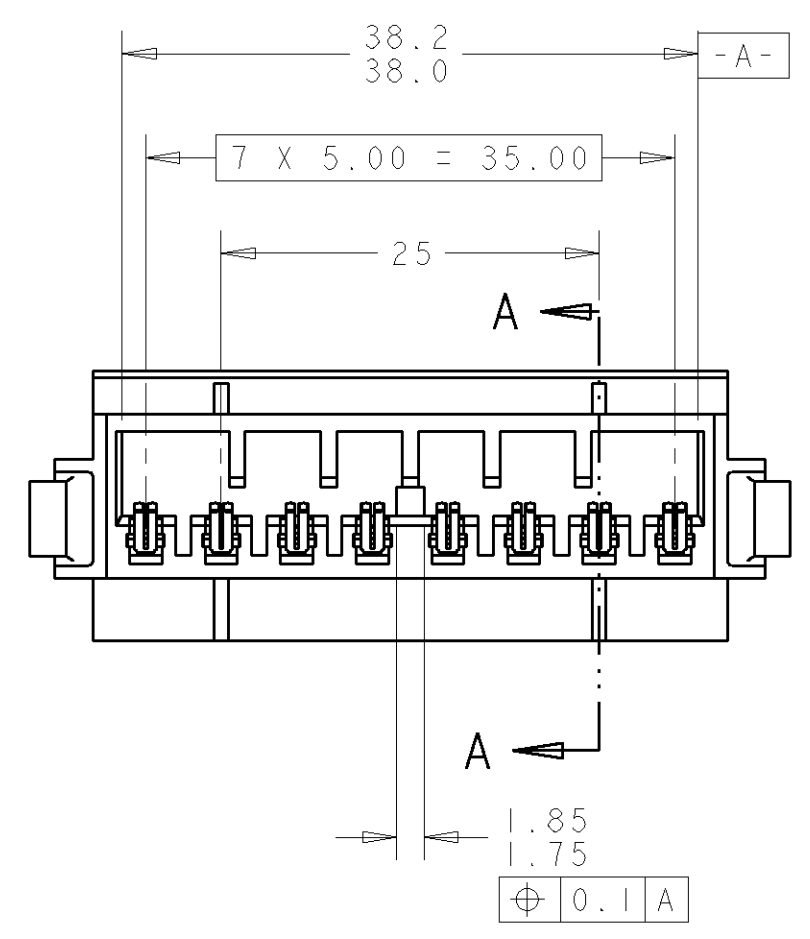
THIS DRAWING IS UNPUBLISHED. RELEASED FOR PUBLICATION 20
 © COPYRIGHT 20 BY TYCO ELECTRONICS CORPORATION. ALL RIGHTS RESERVED.

LOC		DIST		REVISIONS			
P	LTR	DESCRIPTION	DATE	DWN	APVD		
	A	ECR-05-016525	17NOV2005	MJG	JA		
	B	ECO-05-015895	02/12/05	MJG	JA		
	C	ECR-07-015370	26/06/07	MJG	JA		



NOTES:

- 1. MATES WITH 1.6mm PCB
- MATERIALS:
- 2. HOUSING: GF FILLED POLYCARBONATE UL94-V0. COLOUR: BLACK
- 3. CONTACT MATERIAL: PHOSPHUR BRONZE, PLATING: GOLD OVER NICKEL
- 4. SCREW CLAMP. MATERIAL: MILD STEEL. PLATING: ZINC & TRIVALENT PASSIVATED



VIEW ON WIRE APPERTURES

TEST PROBE TARGET
2.50 X 2.00mm

1.35/1.25	15.40	SEE NOTES	8 POS I/O CONNECTOR	2-347528-1
1.65/1.55	15.70	SEE NOTES	8 POS I/O CONNECTOR	6-347528-1
1.35/1.25	15.40	SEE NOTES	8 POS I/O CONNECTOR	1-347528-1
DIM "Y"	DIM "X"	FINISH	DESCRIPTION	PART NO

<small>THIS DRAWING IS A CONTROLLED DOCUMENT FOR TYCO ELECTRONICS CORPORATION. IT IS SUBJECT TO CHANGE AND THE CONTROLLING ENGINEERING ORGANIZATION SHOULD BE CONTACTED FOR THE LATEST REVISION.</small>		DWN M.GREENER 17NOV2005 CHK J.AMBROSE 17NOV2005 APVD E.WHEELER-KING 17NOV2005	tyco Electronics Tyco Electronics Bideford, Devon. EX39 4HA
DIMENSIONS: mm 	TOLERANCES UNLESS OTHERWISE SPECIFIED: 0 PLC ±0.5 1 PLC ±0.5 2 PLC ±0.5 3 PLC ± 4 PLC ± ANGLES ±1 FINISH	PRODUCT SPEC 108-3177 APPLICATION SPEC 114-3149 WEIGHT	NAME 8 POS W2B I/O CONNECTOR SIZE CAGE CODE DRAWING NO RESTRICTED TO A200779 C-347528 SCALE 2:1 SHEET 1 OF 1 REV C
SEE NOTES	SEE NOTES	CUSTOMER DRAWING	