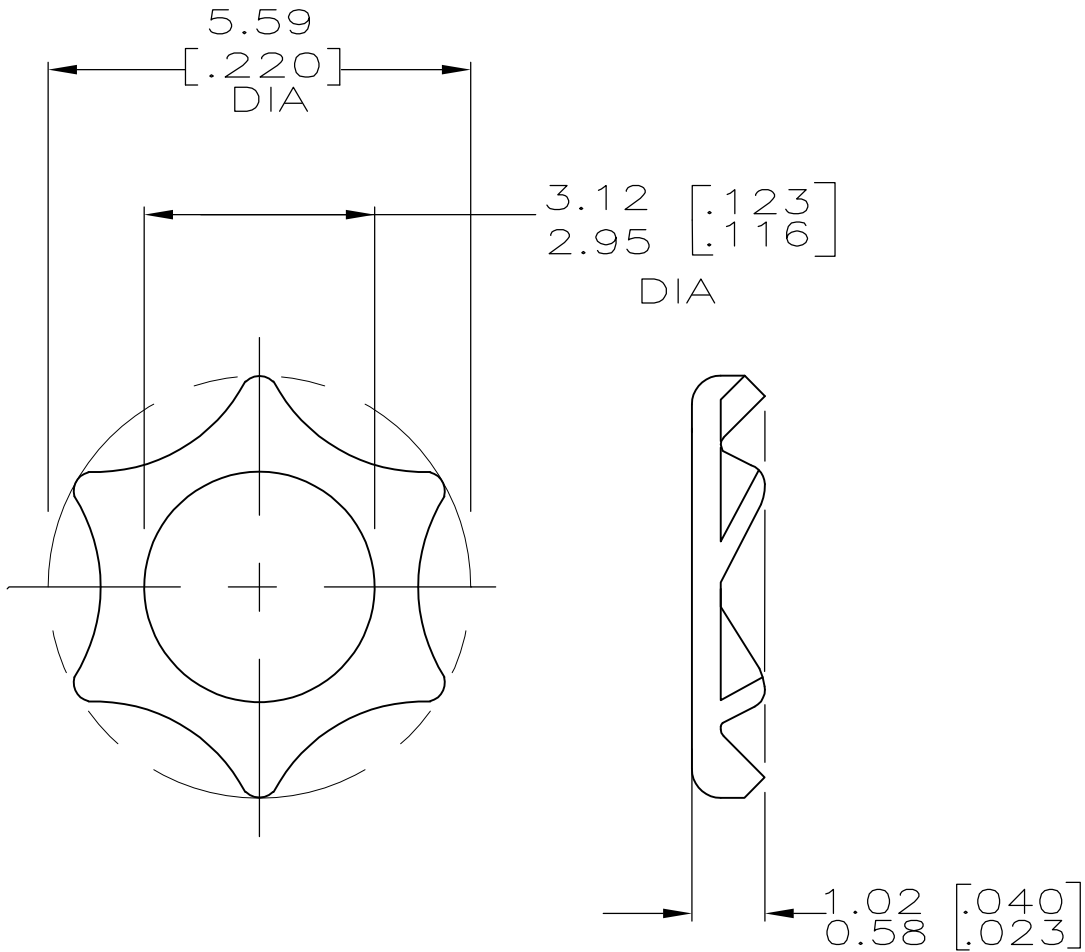


| | | | | | | | |
|-----|------|-----------|-----|---------------------------|---------|-----|------|
| LOC | DIST | REVISIONS | | | | | |
| BD | 39 | P | LTR | DESCRIPTION | DATE | DWN | APVD |
| | | C1 | | REVISED EPR ECO-11-001363 | 21JAN11 | HMR | MG |

1 ACTUAL CONFIGURATION OF WASHER MAY VARY

2 STAINLESS STEEL PER QQ-S-766



RELEASED FOR PUBLICATION

ALL INTERNATIONAL RIGHTS RESERVED.

BY TYCO ELECTRONICS CORPORATION.

© COPYRIGHT

200503-1
PART NO

| | | | | | | | | | | | |
|--|------------------|--------------|----------|---|-----------|------------|---------------|-------|--------|-----|----|
| DIMENSIONS: mm [INCHES] | DWN | R.SHIREY | 07/24/90 | MATERIAL | 2 | FINISH | PASSIVATED | | | | |
| | CHK | R.STONE | 8-14-90 | Tyco Electronics Corporation Harrisburg, PA 17105-3608 | | | | | | | |
| TOLERANCES UNLESS OTHERWISE SPECIFIED: | APVD | A.BOULLIANNE | 8-14-90 | | | | | | | | |
| 0 PLC ± - | PRODUCT SPEC | | | NAME | | | | | | | |
| 1 PLC ± - | - | | | LOCK WASHER, EXTERNAL, NARROW-RIM, M SERIES | | | | | | | |
| 2 PLC ± 0.13 [.005] | APPLICATION SPEC | | | SIZE | CAGE CODE | DRAWING NO | RESTRICTED TO | | | | |
| 3 PLC ± - | - | | | A4 | 00779 | C-200503 | - | | | | |
| 4 PLC ± - | WEIGHT | | | - | | | | | | | |
| ANGLES ± - | - | | | - | | | | | | | |
| | | | | CUSTOMER DRAWING | | SCALE | 10:1 | SHEET | 1 OF 1 | REV | C1 |