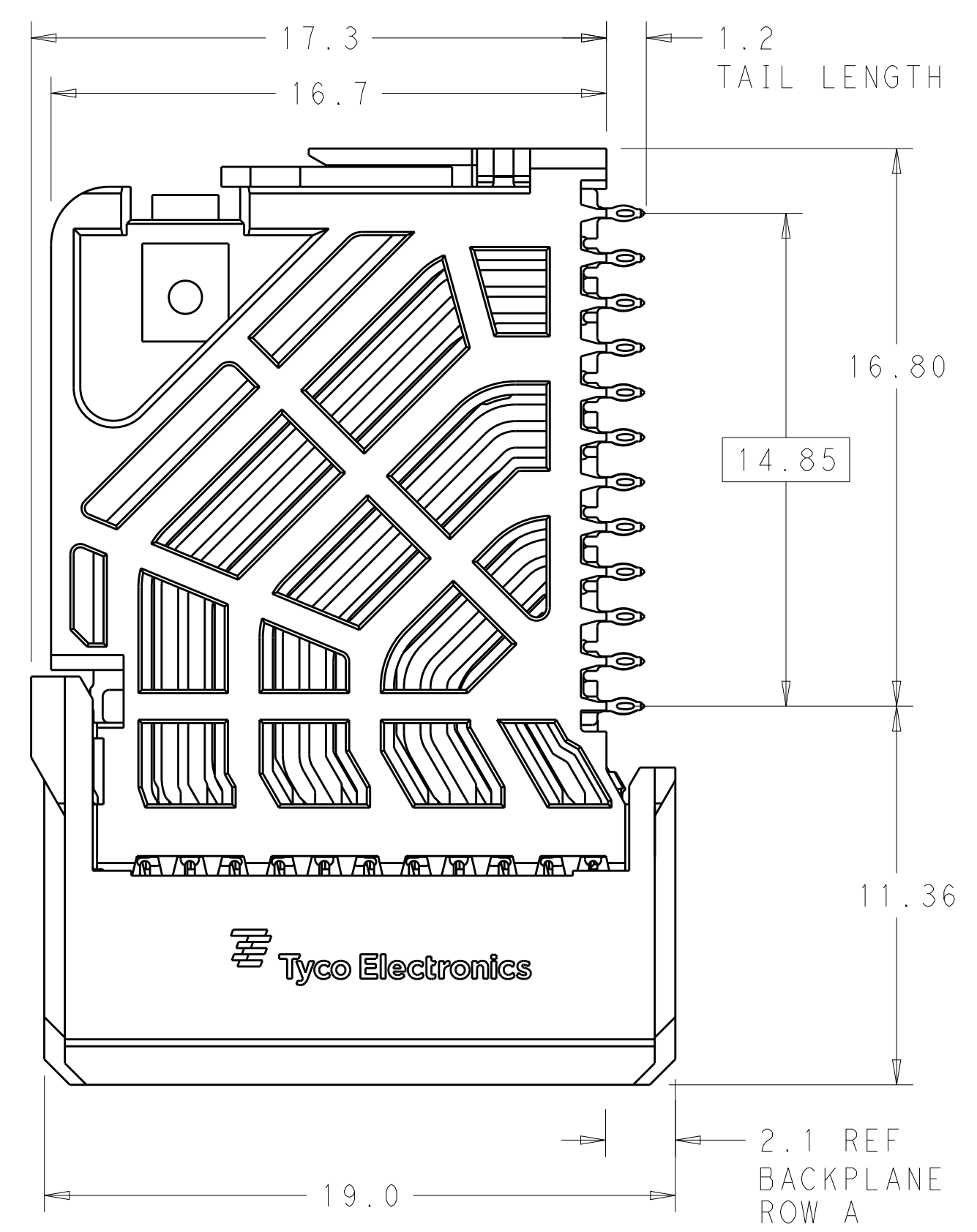
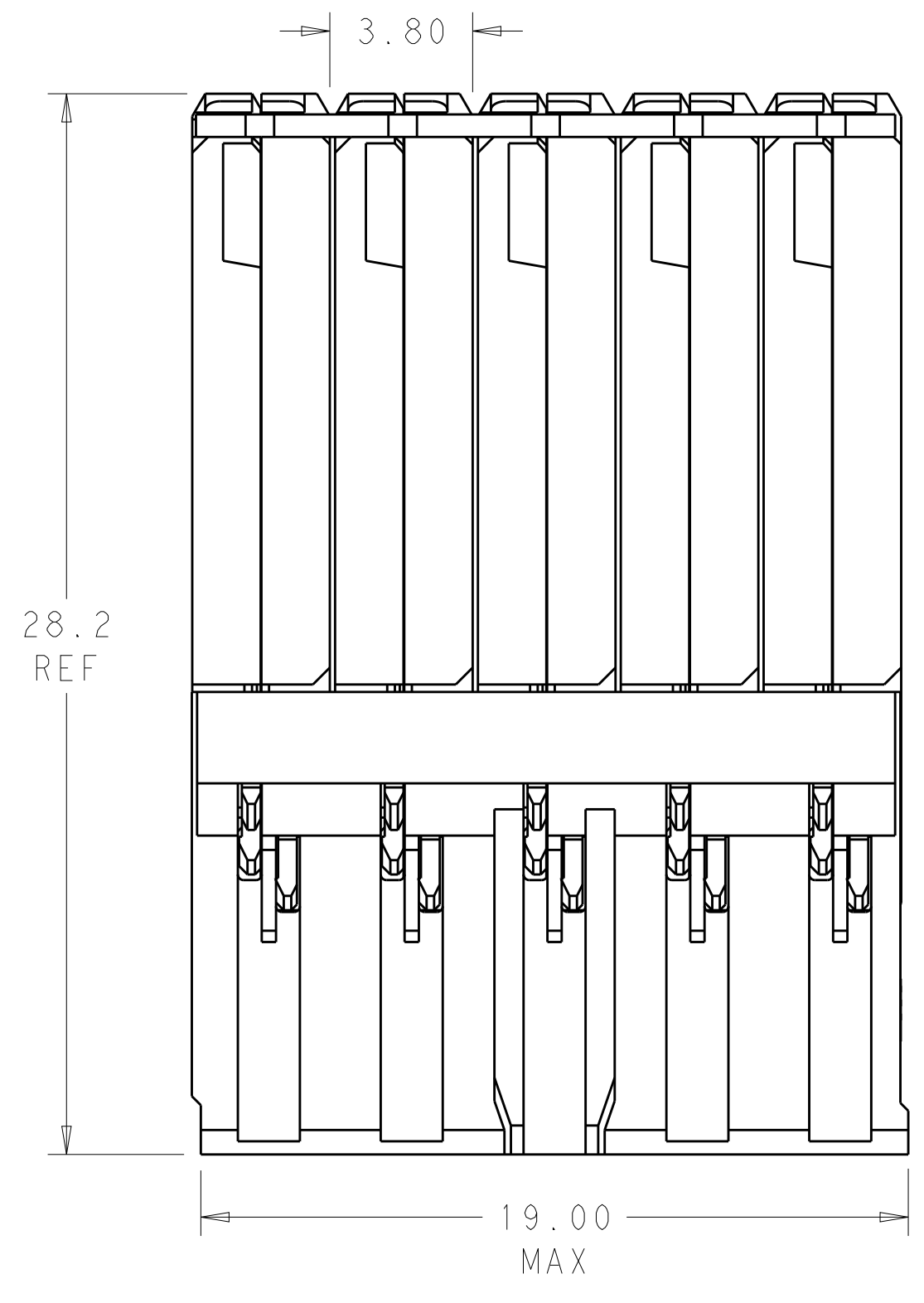
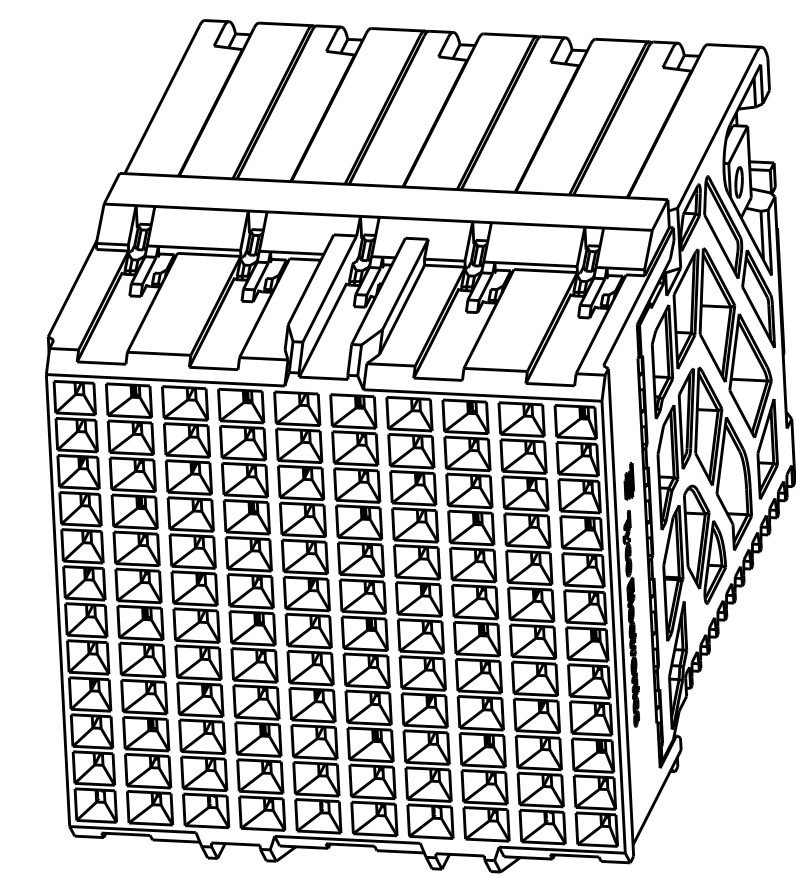


LOC		DIST		REVISIONS			
AD	00	P	LTN	DESCRIPTION	DATE	DWN	APVD
		B1		REVISED PER ECO-14-018036	17FEB2015	AP	DD



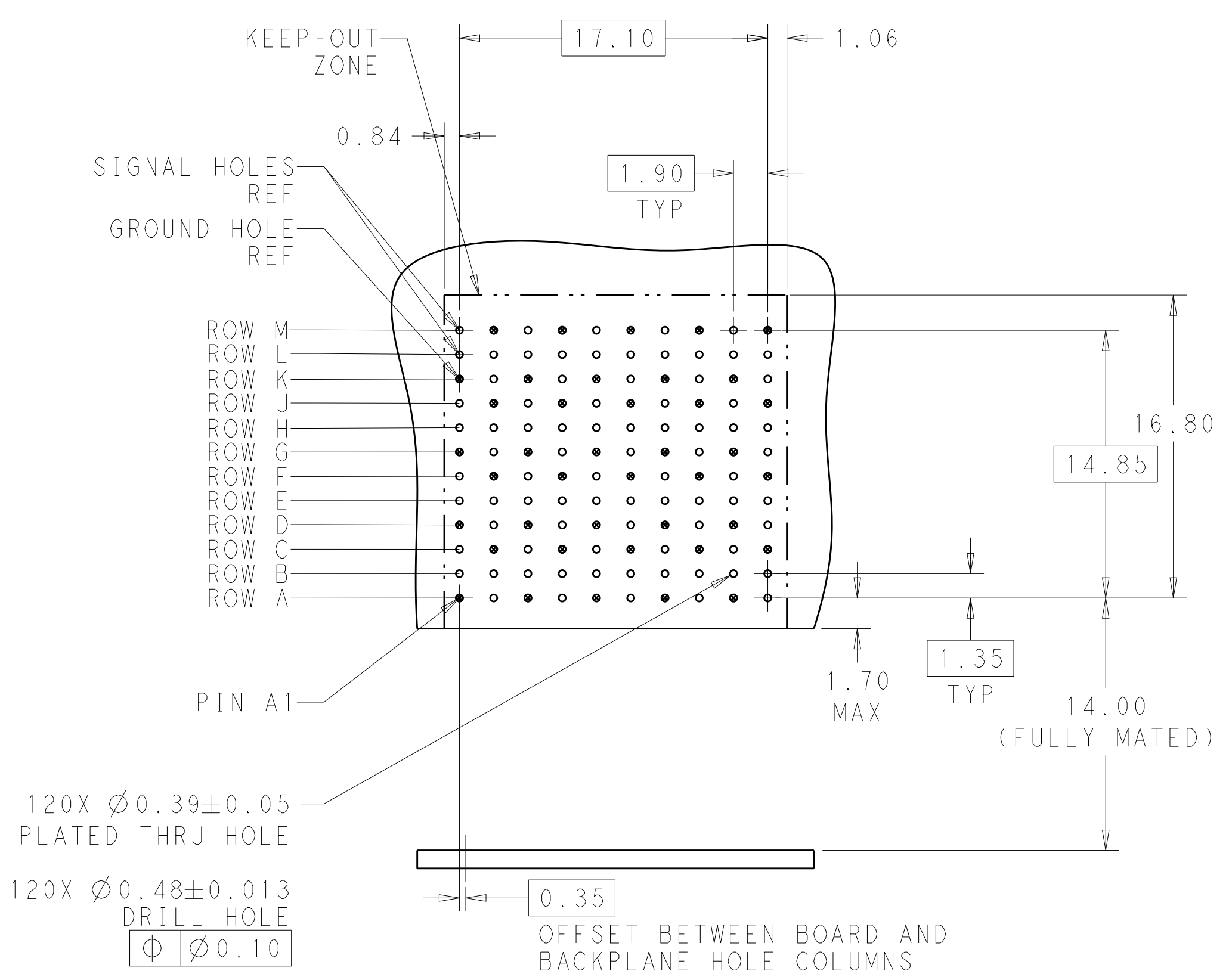
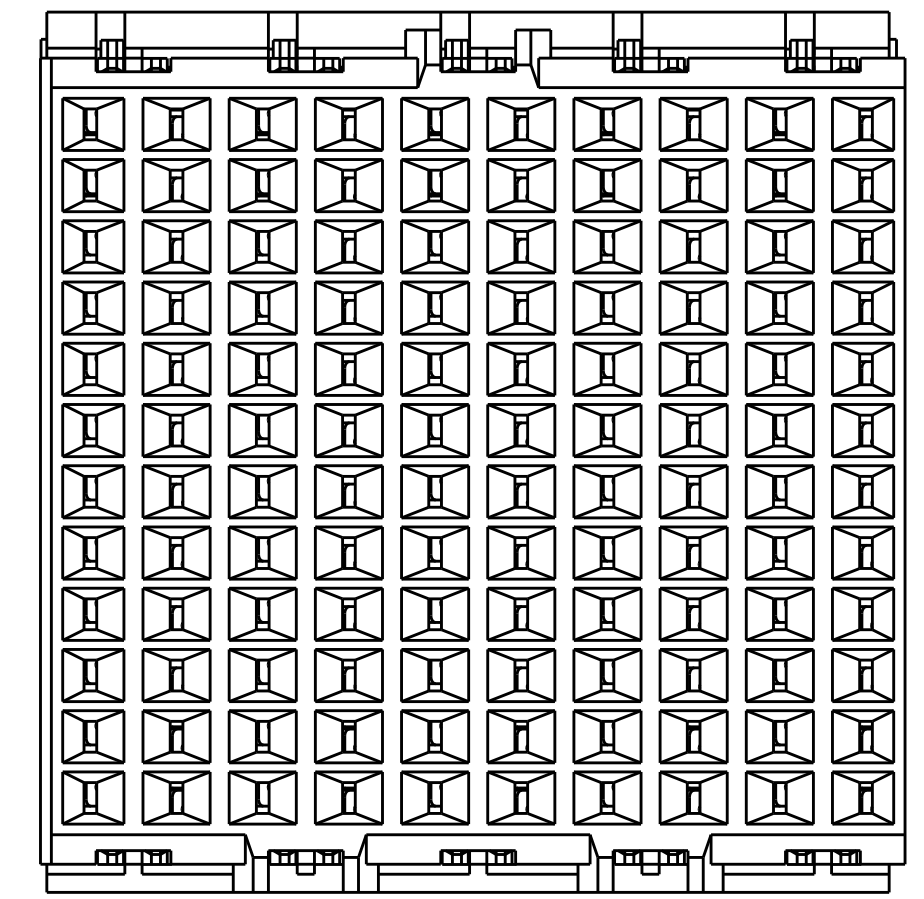
⚠ MATERIAL:
 HOUSING: LCP, GLASS FILLED, UL94V-0.
 TERMINALS: HIGH PERFORMANCE COPPER ALLOY.

⚠ FINISH:
 30µ" SELECTIVE GOLD IN CONTACT AREA. SELECTIVE TIN ON PCB TAILS, NICKEL OVERALL.



SCALE 4:1

REFER TO WWW.TE.COM FOR PRODUCT AVAILABILITY



120X $\varnothing 0.39 \pm 0.05$ PLATED THRU HOLE
 120X $\varnothing 0.48 \pm 0.013$ DRILL HOLE
 $\varnothing 0.10$

OFFSET BETWEEN BOARD AND BACKPLANE HOLE COLUMNS

RECOMMENDED PCB LAYOUT
 MIN BOARD THICKNESS 1.0

NONE	⚠	2007717-1
KEY POSITION	FINISH	PART NUMBER

THIS DRAWING IS A CONTROLLED DOCUMENT.		DWN Z. MILLER 27DEC2010	TE Connectivity NAME IMPACT, 4 PAIR, DAUGHTERCARD 10 COLUMN, UNGUIDED, SIGNAL MODULE, 0.39 EYELET SIZE CAGE CODE DRAWING NO RESTRICTED TO A100779C=2007717 WEIGHT CUSTOMER DRAWING SCALE 6:1 SHEET 1 OF 1 REV B1
DIMENSIONS:		CHK D. DIXON 27DEC2010	
TOLERANCES UNLESS OTHERWISE SPECIFIED:		APVD D. DIXON 27DEC2010	
mm 0 PLC ± 1 PLC ±0.2 2 PLC ±0.13 3 PLC ± 4 PLC ± ANGLES ± MATERIAL FINISH SEE TABLE		PRODUCT SPEC APPLICATION SPEC	