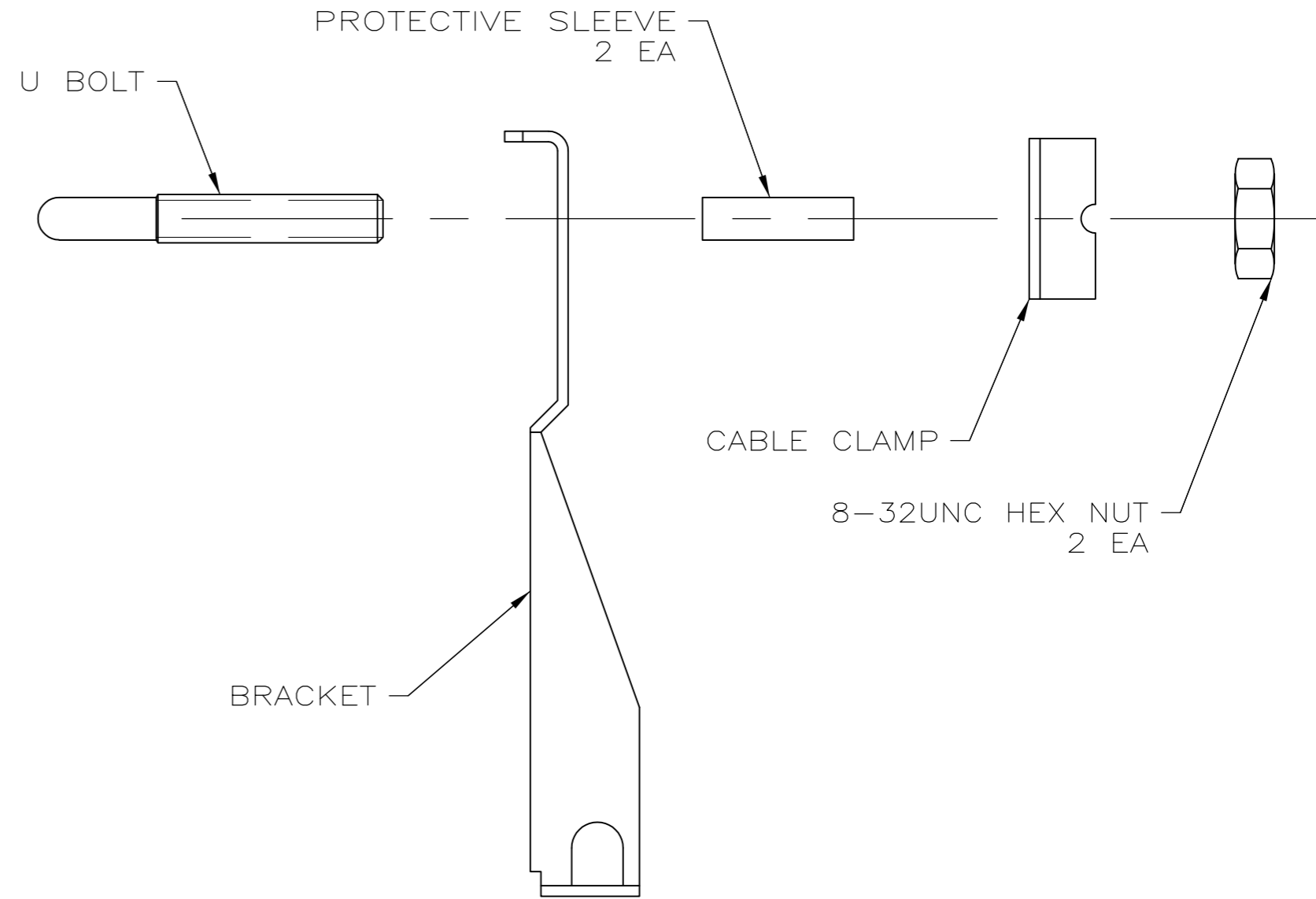
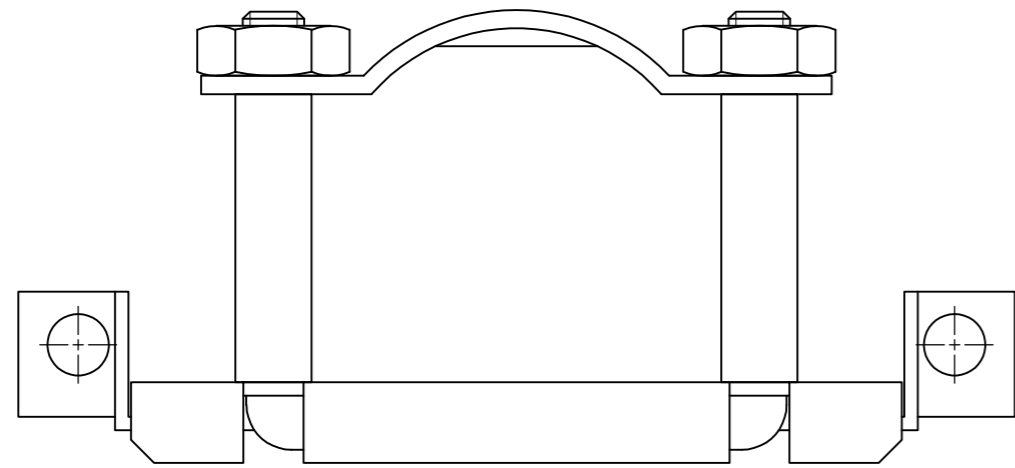
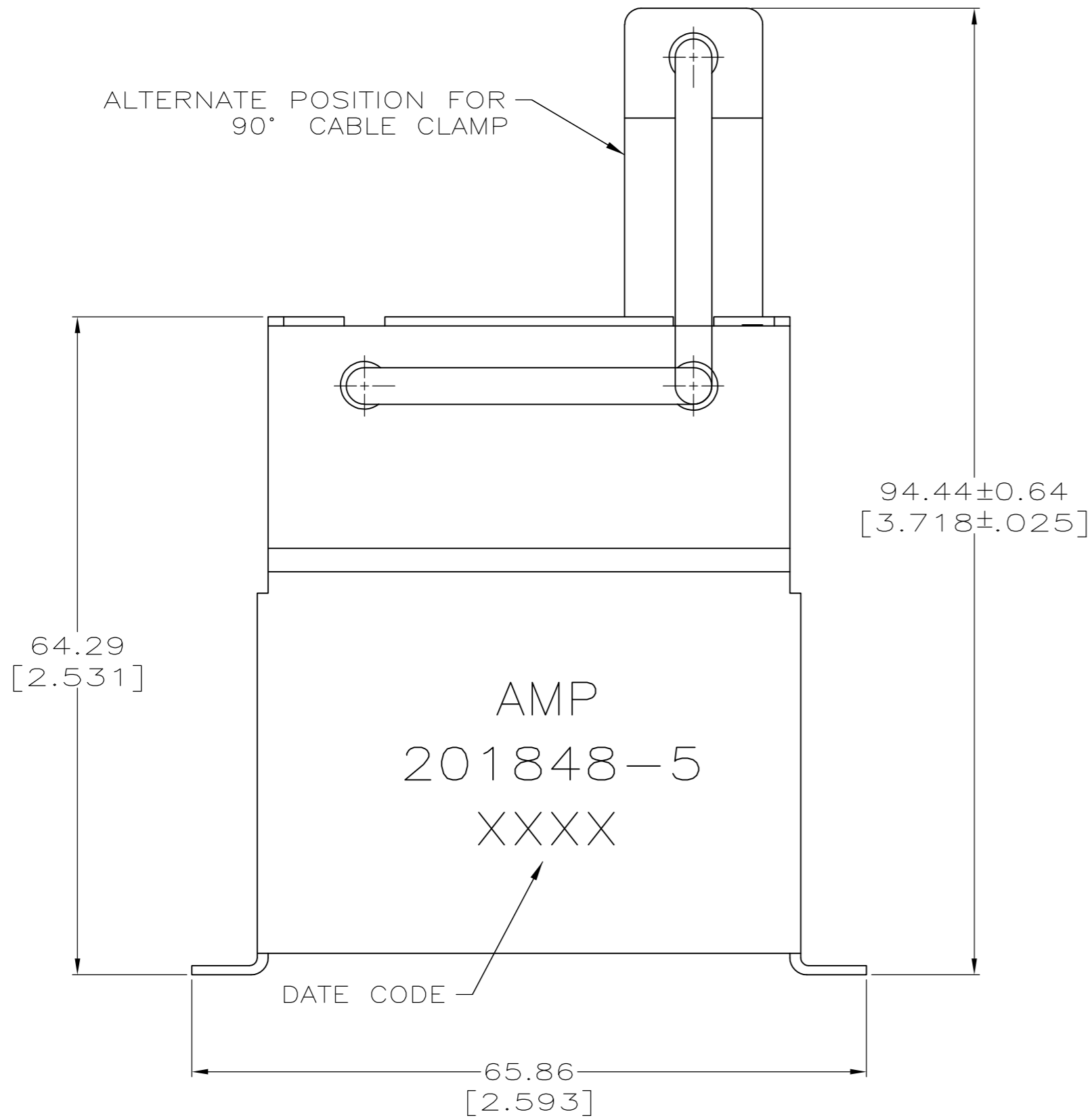


THIS DRAWING IS UNPUBLISHED. RELEASED FOR PUBLICATION
 © COPYRIGHT BY TYCO ELECTRONICS CORPORATION. ALL INTERNATIONAL RIGHTS RESERVED.

LOC		DIST		REVISIONS			
P	LTR	DESCRIPTION		DATE	DWN	APVD	
FT	0	L	REVISED PER ECO-10-021995	12JAN11	HMR	MC	



ALTERNATE POSITION FOR
90° CABLE CLAMP



- 1 BRACKET & U BOLT: STAINLESS STEEL.
CABLE CLAMP AND HEX NUTS: CARBON STEEL.
PROTECTIVE SLEEVES: POLYVINYL CHLORIDE.
- 2 BRACKET & U BOLT: PASSIVATED.
CABLE CLAMP: 5.08um[.000200] MIN NICKEL.

SUPERSEDED BY 201848-5	201848-5
	201848-1
PART NUMBER	

THIS DRAWING IS A CONTROLLED DOCUMENT.		DWN C.REIFSNYDER 31 OCT 95	Tyco Electronics Corporation Harrisburg, PA 17105-3608	
DIMENSIONS: mm [INCHES]		CHK R.STONE 02 NOV 95	NAME G.A.STEINHAUER	
TOLERANCES UNLESS OTHERWISE SPECIFIED: 0 PLC ± - 1 PLC ± - 2 PLC ± 0.38[.015] 3 PLC ± - 4 PLC ± - ANGLES ± -		APVD G.A.STEINHAUER 02 NOV 95	PRODUCT SPEC APPLICATION SPEC	
MATERIAL -		FINISH -	WEIGHT -	RESTRICTED TO -
CUSTOMER DRAWING		SCALE 2:1	SHEET 1 of 1	REV L