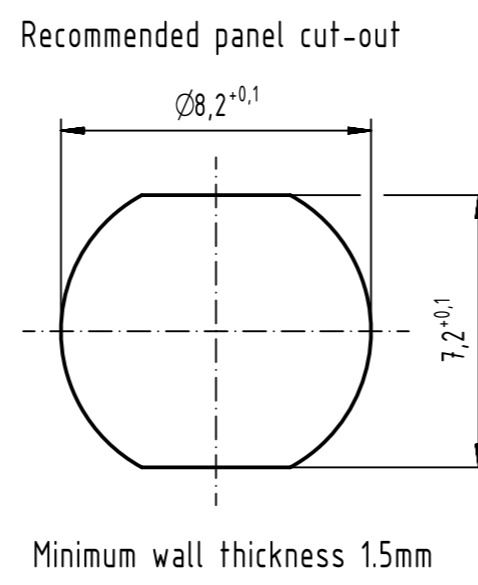
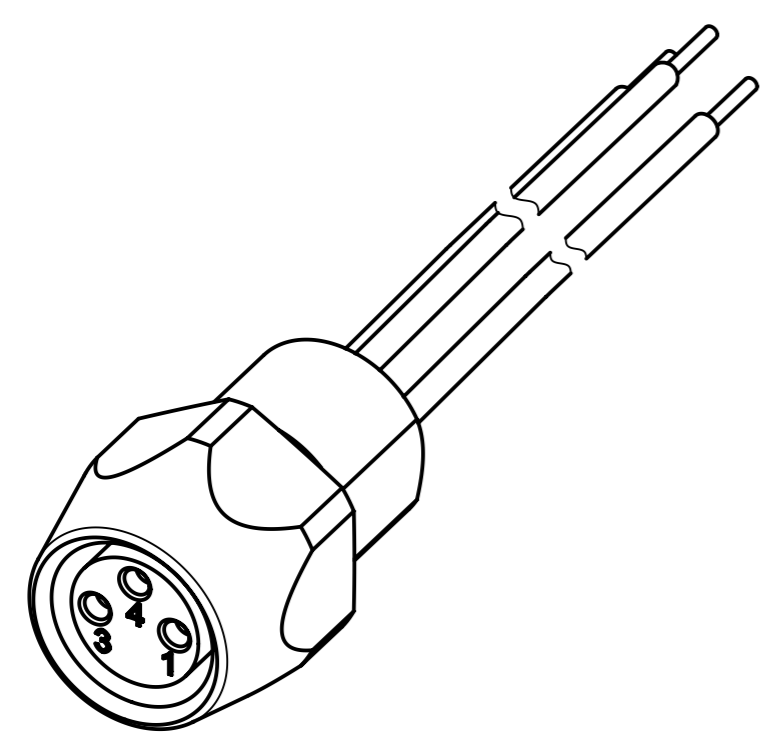


Loading-Plan:

1	brown
3	blue
4	black



- Protection level: IP67
 - Temperature range: -30°C ... +80°C

1		21023576305		AWG 24, PVC		0.5		All rights reserved Department EC PD - RO		Scale 5:1 Free size tol.		Ref. Sub.	
Cont. No.		Part - no.		Type of cable		Dim. a[m]		HARTING Electronics GmbH D-32339 Espelkamp		Created by TAMAS Inspected by AVRAM Standardisation HOFFMANN		Date 2014-08-25 State Final Release	
								Title M8 Cable Assembly Type TB		Number 210235763XX		Doc-Key / ECM-Nr. 100580396/UGD/009/B 50000079096	
										Rev. B		Page 1/1	