

4

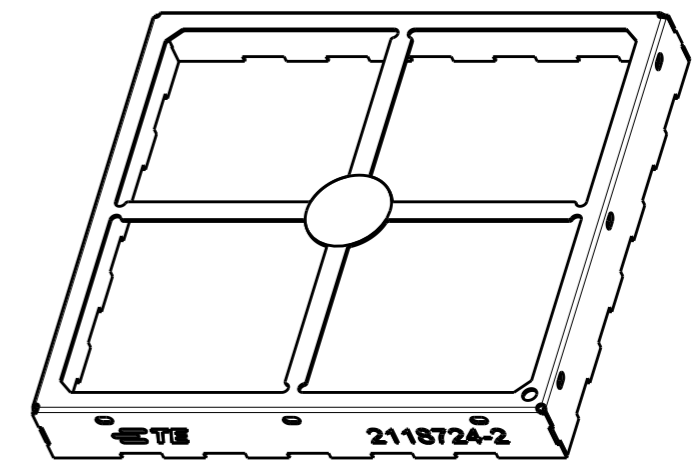
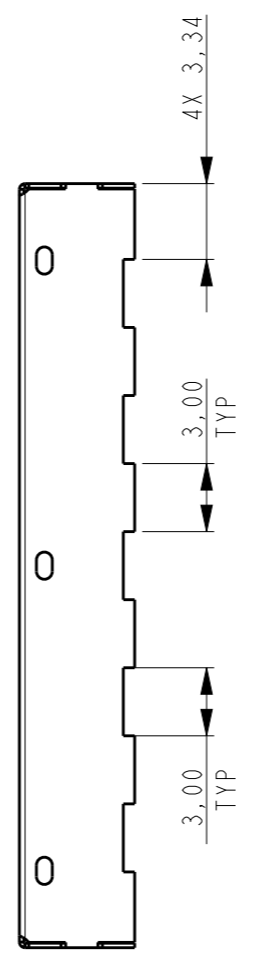
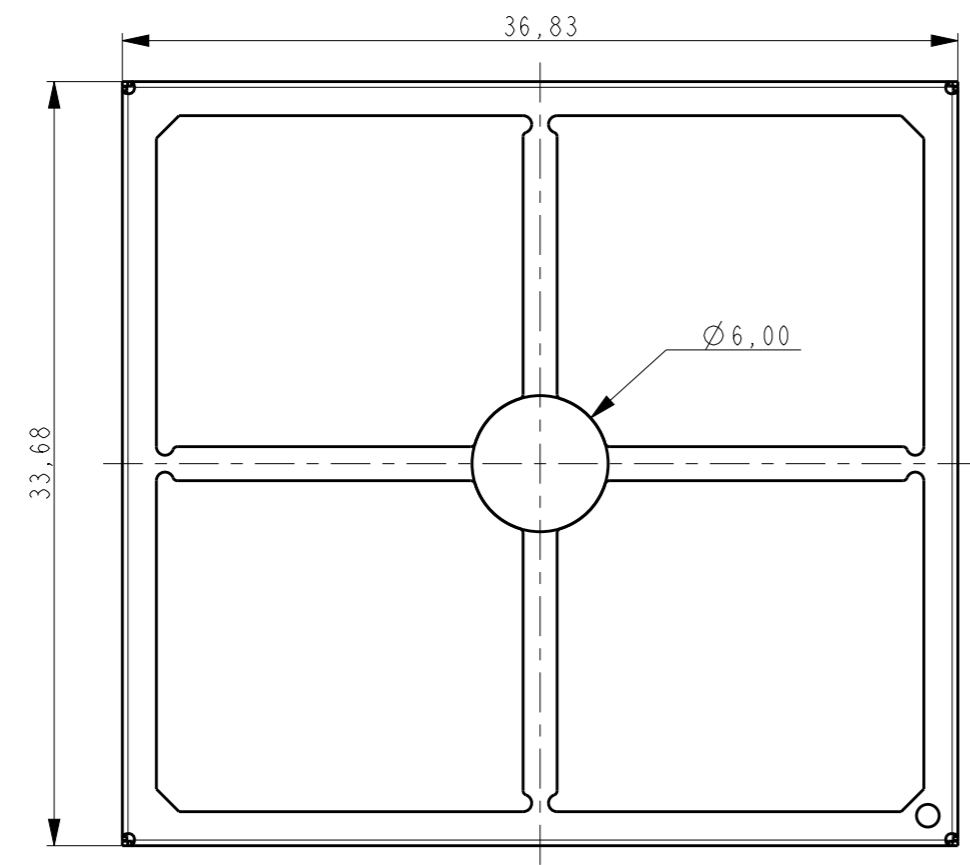
3

2

1

THIS DRAWING IS UNPUBLISHED. RELEASED FOR PUBLICATION  
 © COPYRIGHT - BY TYCO ELECTRONICS CORPORATION. ALL RIGHTS RESERVED.

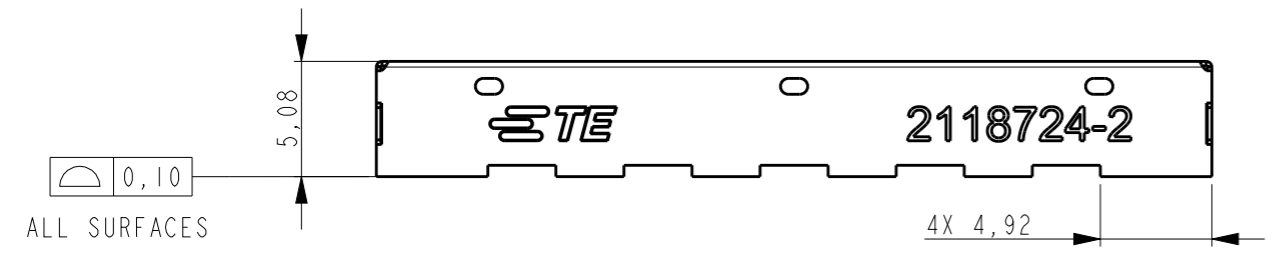
LOC	DIST	REVISIONS			
P	LTR	DESCRIPTION	DATE	DWN	APVD
H	-	2	ADD HOLE IN CORNER	02SEP2016	SS AL
		A	DRAWING RELEASED	24APR2017	VL SS
		A1	REVISED PER ECO-17-007644	26MAY2017	VL SS
		A2	REVISED PER ECO-17-013857	21SEP2017	SS HL



SCALE 2:1

NOTES:

- 1 MATERIAL: 0.20mm CRS. 1,25 - 3.00µm MATTE TIN FINISH.
- 2 STAMPING BURR OUTSIDE OF PART, MAX 0.05mm.
- 3 PARTS TO BE FREE OF OIL AND CONTAMINENTS.
- 4 PART IS RoHS COMPLIANT PER TE CONNECTIVITY STANDARD TEC-138-702.
- 5 REFER TO 3D MODEL FOR UNSPECIFIED DIMENSIONS.
- 6 PACKAGING: TAPE AND REEL



6	2118724-2
PACKAGING	PART NUMBER

THIS DRAWING IS A CONTROLLED DOCUMENT. DIMENSIONING AND TOLERANCING PER ASME Y14.5M-2009.		DWN S. SU 05-APR-16	<b>STE</b> TE Connectivity			
DIMENSIONS: mm		CHK V. LAC 24APR2017				
TOLERANCES UNLESS OTHERWISE SPECIFIED:		APVD V. LAC 24APR2017	NAME STANDARD SHIELD FRAME			
0 PLC ±0.2 1 PLC ±0.15 2 PLC ±0.10 3 PLC ± 4 PLC ± ANGLES ±2°		PRODUCT SPEC 108-19493				
MATERIAL 1	FINISH 1	APPLICATION SPEC 114-115014	SIZE A3	CAGE CODE 00779	DRAWING NO C-2118724	RESTRICTED TO -
CUSTOMER DRAWING		WEIGHT -	SCALE 1:1	SHEET 1 OF 3	REV A2	

THIS DRAWING IS UNPUBLISHED.

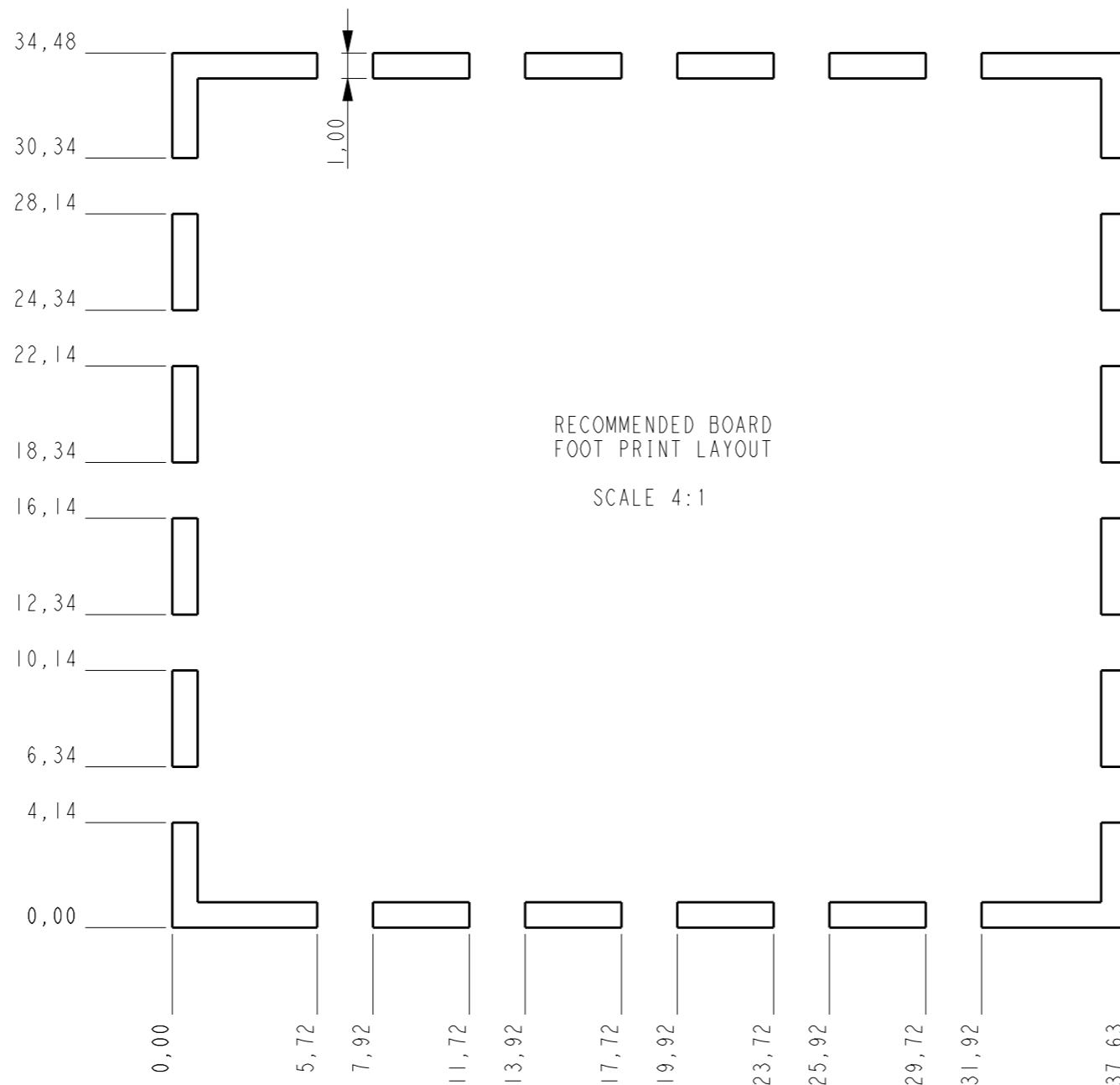
RELEASED FOR PUBLICATION

© COPYRIGHT - BY TYCO ELECTRONICS CORPORATION. ALL RIGHTS RESERVED.

LOC H DIST -

REVISIONS

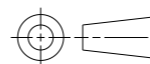
P	LTR	DESCRIPTION	DATE	DWN	APVD
-	-	SEE SHEET 1	-	-	-



NOTES:  
7. STENCIL THICKNESS: 0.10mm MIN.

THIS DRAWING IS A CONTROLLED DOCUMENT.

DIMENSIONS:  
mm



TOLERANCES UNLESS OTHERWISE SPECIFIED:

0 PLC	±0.2
1 PLC	±0.15
2 PLC	±0.10
3 PLC	±
4 PLC	±
ANGLES	±2°

MATERIAL -

FINISH -

DWN S. SU 05-APR-16

CHK V. LAC 24APR2017

APVD V. LAC 24APR2017

PRODUCT SPEC 108-19493

APPLICATION SPEC 114-115014

WEIGHT -

CUSTOMER DRAWING



NAME STANDARD SHIELD FRAME

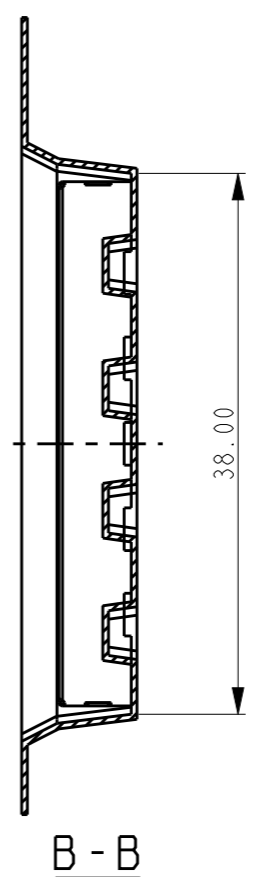
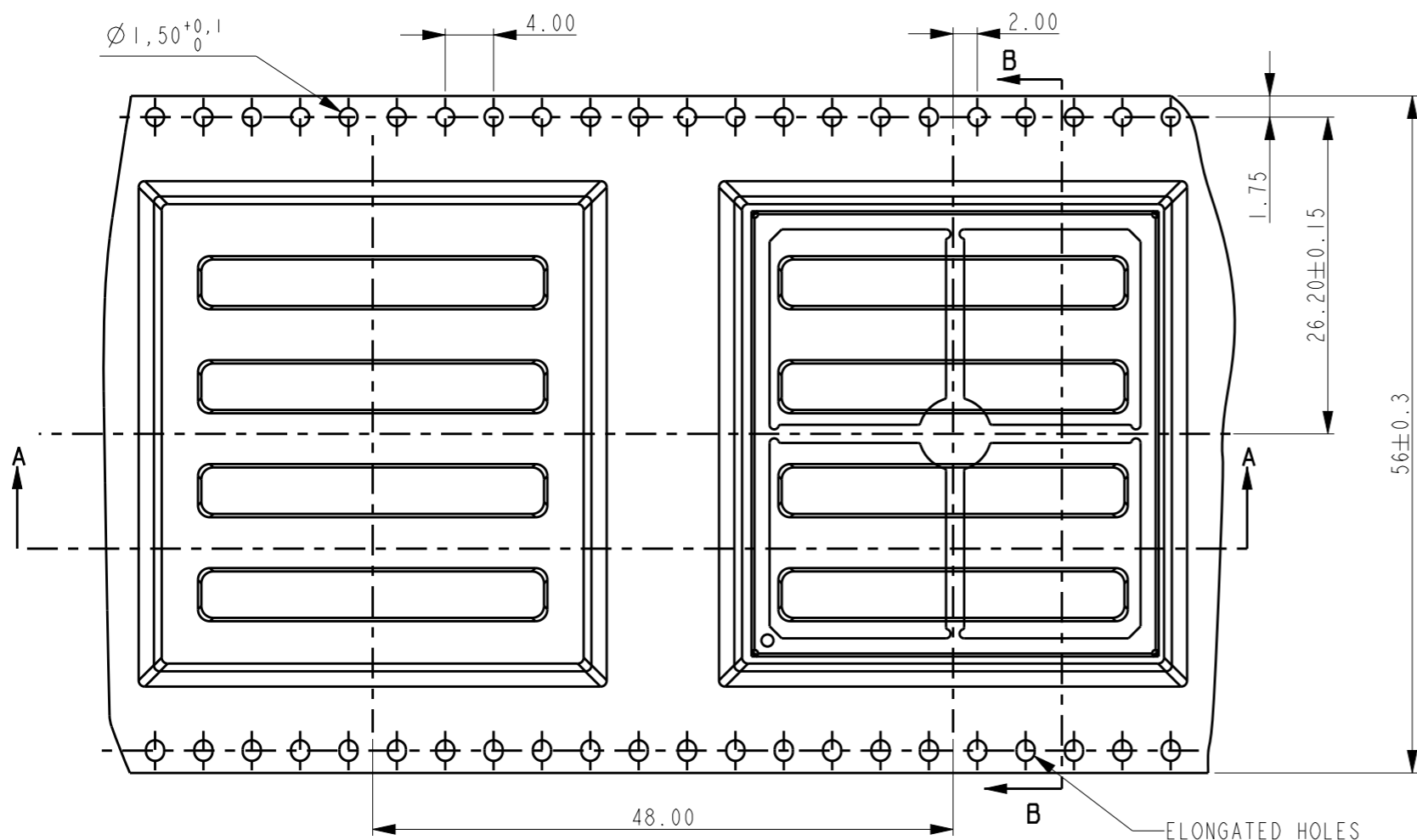
SIZE A3	CAGE CODE 00779	DRAWING NO C-2118724	RESTRICTED TO -
---------	-----------------	----------------------	-----------------

SCALE 1:1	SHEET 2 OF 3	REV A2
-----------	--------------	--------

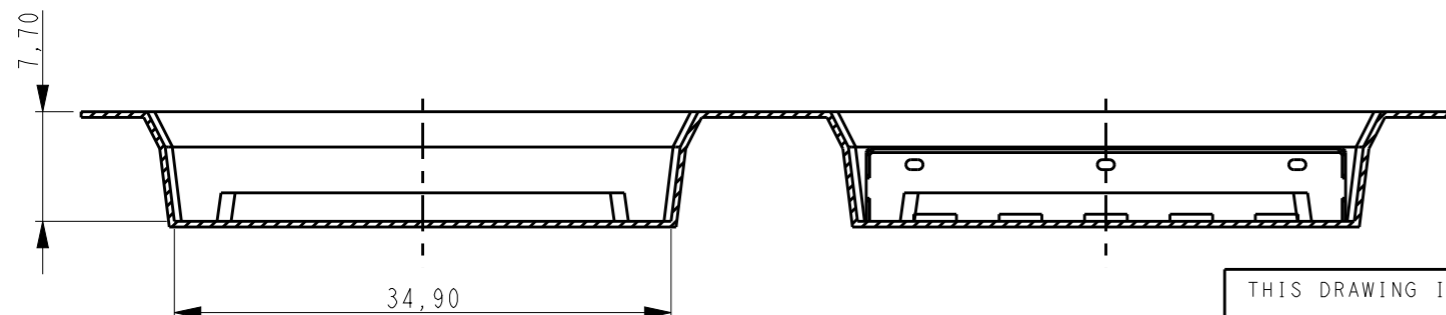
THIS DRAWING IS UNPUBLISHED. RELEASED FOR PUBLICATION

© COPYRIGHT - BY TYCO ELECTRONICS CORPORATION. ALL RIGHTS RESERVED.


LOC	DIST	REVISIONS					
H	-	P	LTR	DESCRIPTION	DATE	DWN	APVD
		-		SEE SHEET 1	-	-	-



USER DIRECTION OF UNREELING



- NOTES:
- 8. REEL SIZE: O.D. 380mm, I.D. 180mm
  - 9. QTY PER REEL: 186PCS

THIS DRAWING IS A CONTROLLED DOCUMENT.		DWN S. SU 05-APR-16	 TE Connectivity	
DIMENSIONS: mm		CHK V. LAC 24APR2017		
TOLERANCES UNLESS OTHERWISE SPECIFIED:		APVD V. LAC 24APR2017	NAME STANDARD SHIELD FRAME	
0 PLC ±0.2		PRODUCT SPEC 108-19493	SIZE A3	
1 PLC ±0.15		APPLICATION SPEC 114-115014	CAGE CODE 00779	DRAWING NO C-2118724
2 PLC ±0.10		WEIGHT -	RESTRICTED TO -	
3 PLC ±		CUSTOMER DRAWING	SCALE 1:1	SHEET 3 OF 3
4 PLC ±				REV A2
ANGLES ±2°				
FINISH -				