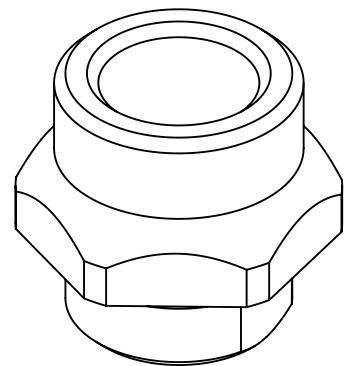


sealing (FPM)      sealing (NBR)

-25 pcs. package



	All Dimensions in mm Original Size DIN A4		Scale 5:1	Free size tol.		Ref.		
						Sub.		
	All rights reserved		Created by DYCKC	Inspected by EISFELD	Standardisation KOHLER	Date 2017-03-28	State Final Release	
	Department EC PD - DE		Title M8-ACC-HOUSING-FRONT MOUNTING				Doc-Key / ECM-Nr. 100715517/UGD/000/A 500000117273	
HARTING Electronics GmbH D-32339 Espelkamp			Type TB	Number 21410000016			Rev. A	Page 1/1