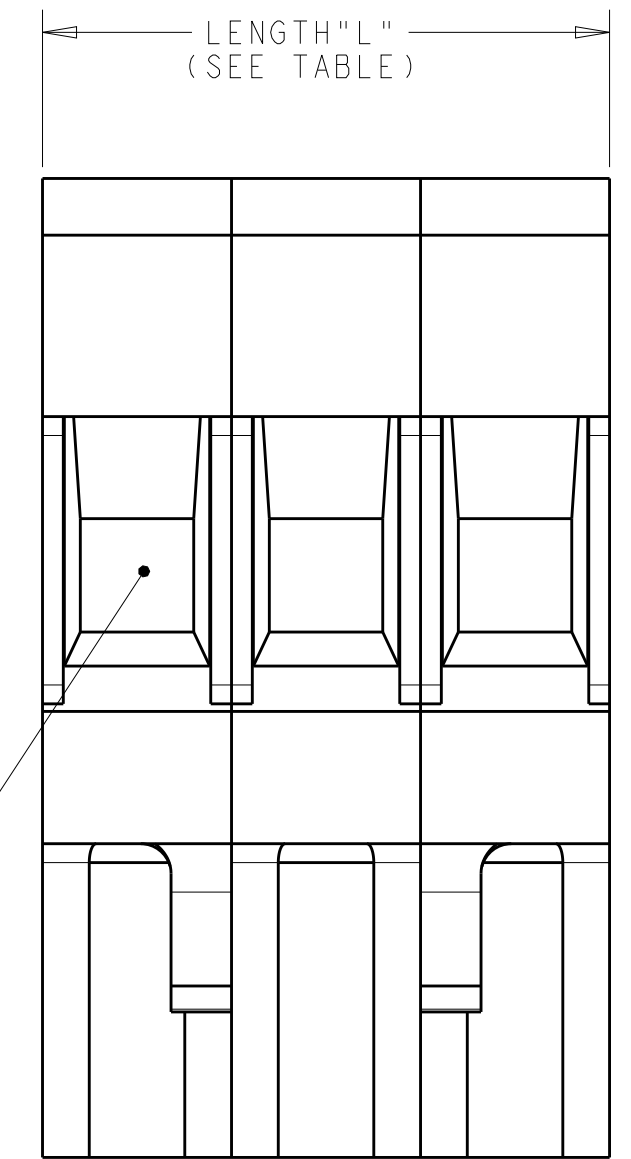
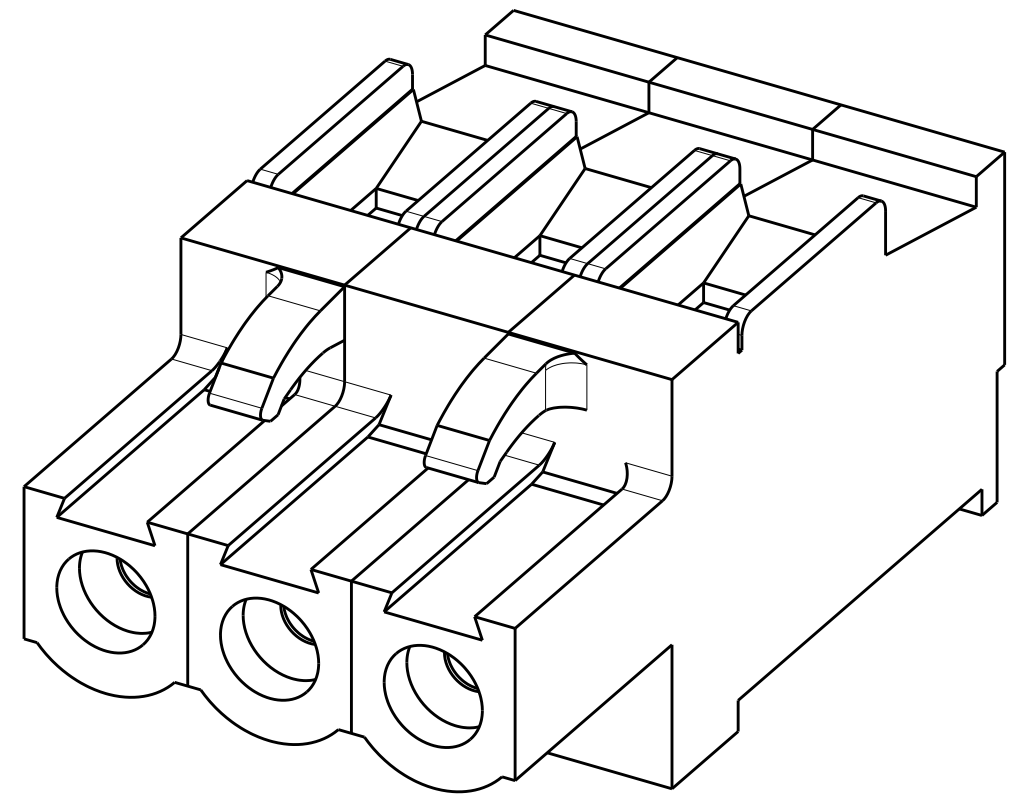


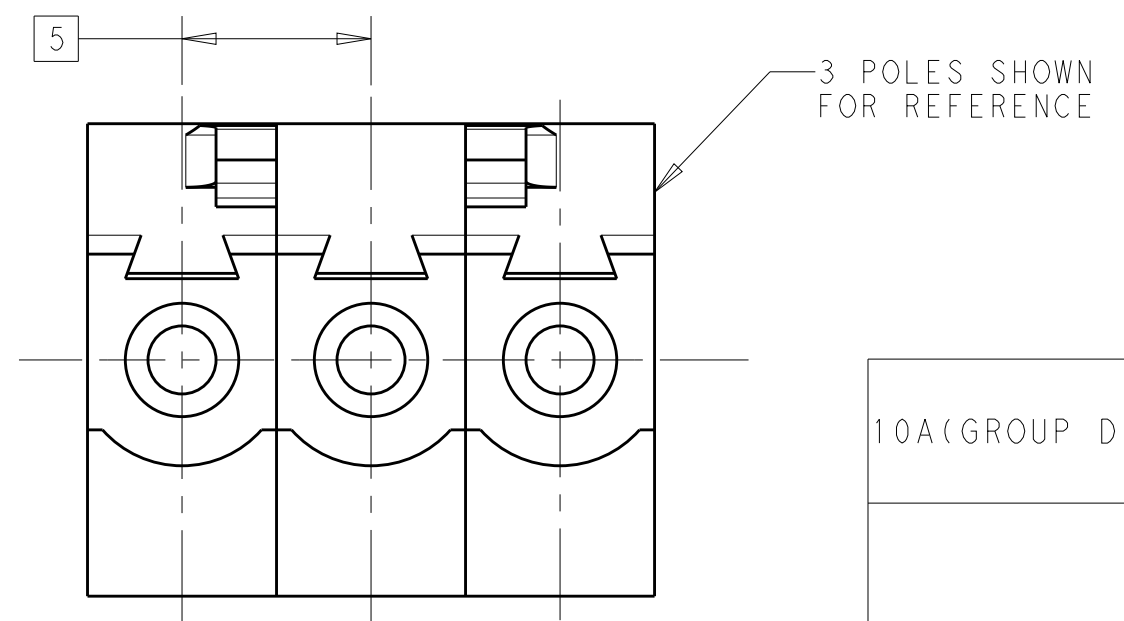
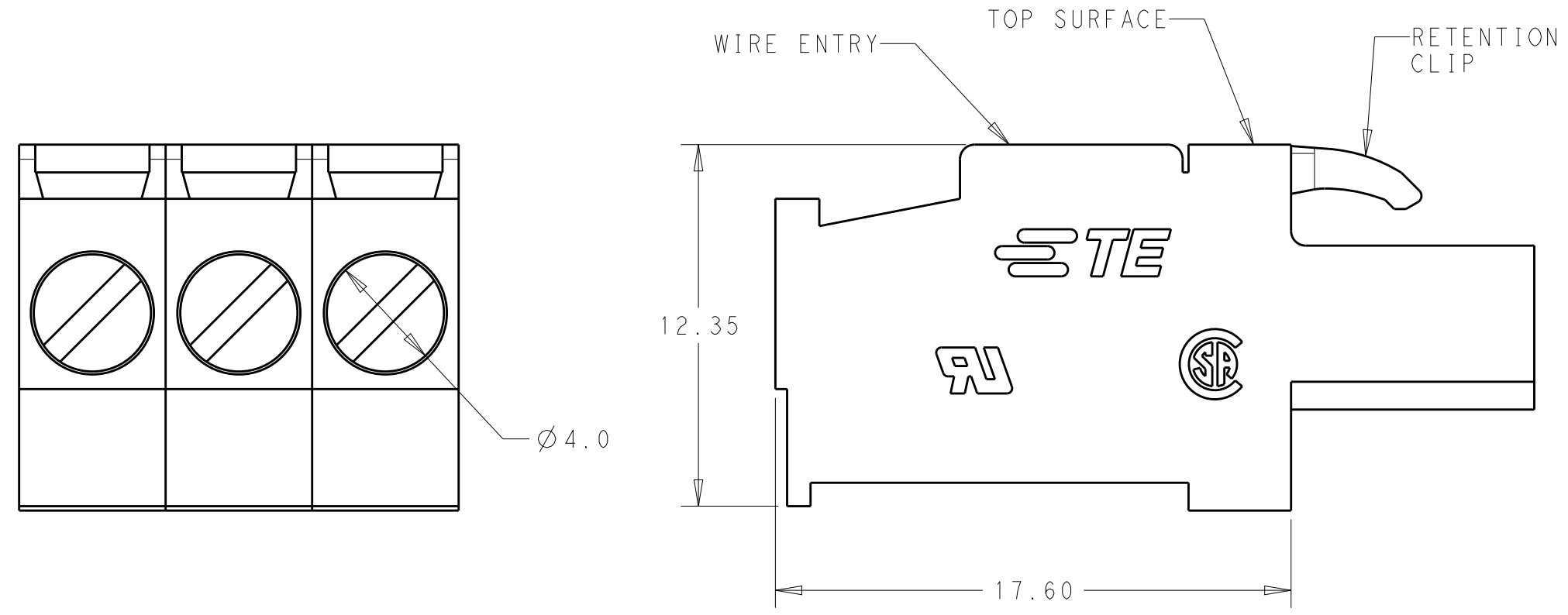
THIS DRAWING IS UNPUBLISHED. RELEASED FOR PUBLICATION
 © COPYRIGHT copyright.d8te- ALL RIGHTS RESERVED.

REVISIONS				
P	LTR	DESCRIPTION	DATE	APVD
A		NEW DRAWING	10SEP2016	RS ML
A1		REVISED PER ECR-16-016988	03JAN2017	RK PO



WIRE ENTRY

- HOUSING MATERIAL: THERMOPLASTIC, FLAME-RETARDANT PER UL 94 V-0
COLOR = BLACK
- CONTACT MATERIAL: COPPER ALLOY WITH STEEL WIRE CLAMP.
- RETENTION CLIP LOCATED ADJACENT TO TOP SURFACE AS SHOWN.
- WIRE SIZE: 26-12 AWG
- SCREW TIGHTENING TORQUE: 0.5 N-m
- △ PRODUCT CERTIFICATIONS:
UL, CSA: 300V (SEE TABLE FOR RATED CURRENT)
- HAZARDOUS SUBSTANCE COMPLIANCE: RoHS, REACH
- MATES WITH 2305908 SERIES



10A (GROUP D&E)	60.0	12	1-2213935-2
	55.0	11	1-2213935-1
	50.0	10	1-2213935-0
15A (GROUP B)	45.0	9	2213935-9
	40.0	8	2213935-8
	35.0	7	2213935-7
	30.0	6	2213935-6
	25.0	5	2213935-5
	20.0	4	2213935-4
	15.0	3	2213935-3
	10.0	2	2213935-2
RATED CURRENT △6	LENGTH "L" (mm)	NO. OF POLES	TE PART NO.

THIS DRAWING IS A CONTROLLED DOCUMENT.

DWN	RAVLS	10SEP2016
CHK	M.LUKSIC	10SEP2016
APVD	M.LUKSIC	10SEP2016

STE TE Connectivity

NAME: SOCKET TERMINAL BLOCK, PERPENDICULAR, 5.0MM PITCH, TOP RETENTION

SIZE	CAGE CODE	DRAWING NO	RESTRICTED TO
A2	-	G-2213935	-

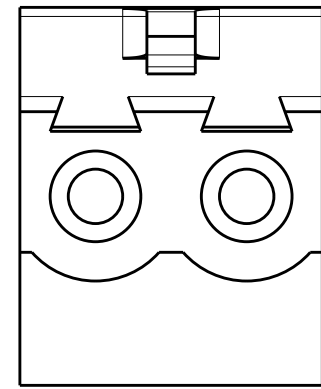
CUSTOMER DRAWING SCALE 5:1 SHEET 1 OF 2 REV A1

DIMENSIONS:		TOLERANCES UNLESS OTHERWISE SPECIFIED:	
mm			
0 PLC	±		
1 PLC	±0.2		
2 PLC	±0.13		
3 PLC	±		
4 PLC	±		
ANGLES	±		
FINISH	-		

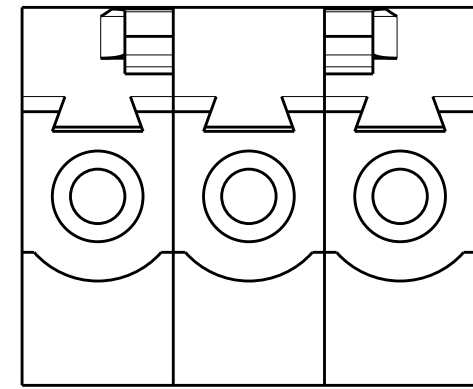
MATERIAL: SEE NOTES

THIS DRAWING IS UNPUBLISHED. RELEASED FOR PUBLICATION
 © COPYRIGHT copyright.dBTe- ALL RIGHTS RESERVED.

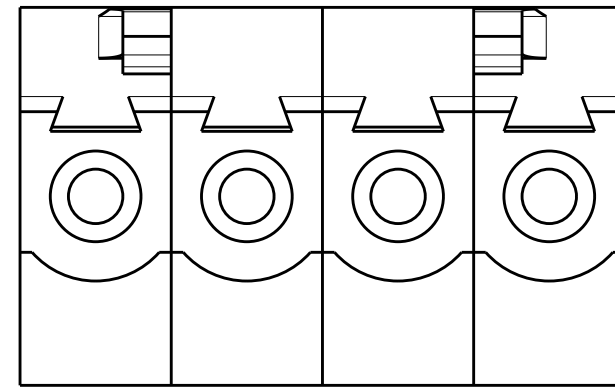
REVISIONS				
P	LTR	DESCRIPTION	DATE	APVD
-		SEE SHEET 1	-	-



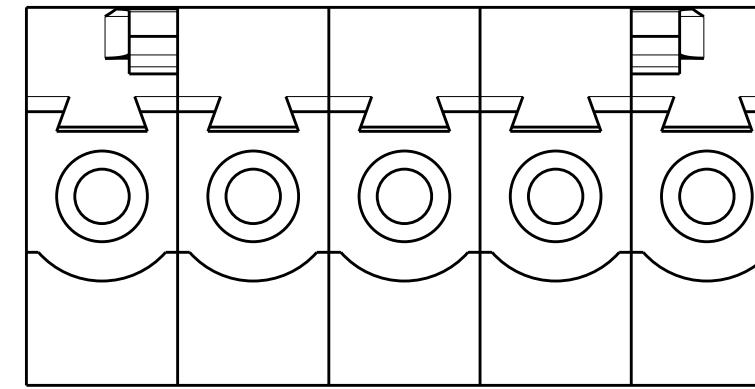
2 POLES: 2213935-2



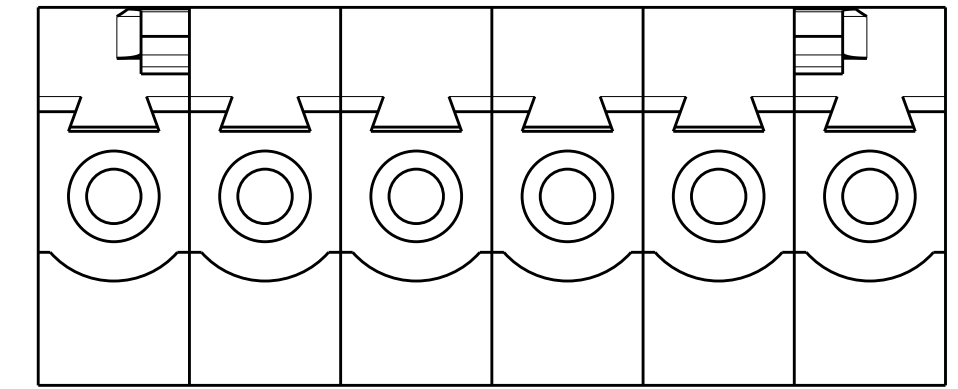
3 POLES: 2213935-3



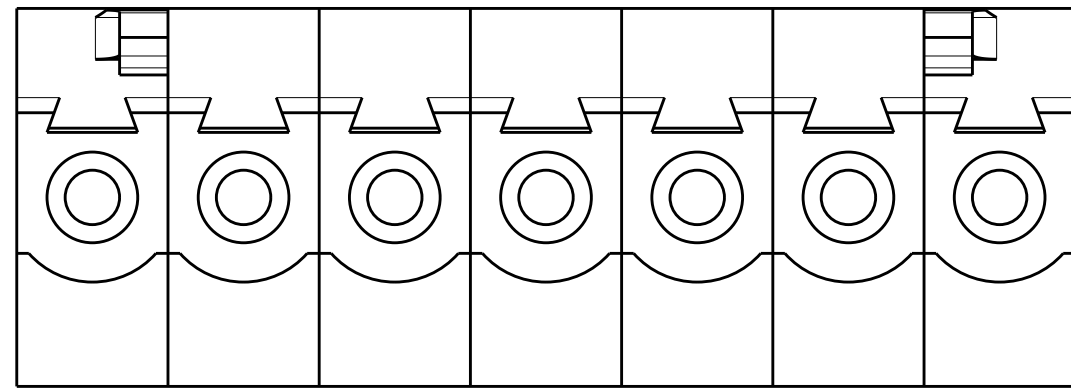
4 POLES: 2213935-4



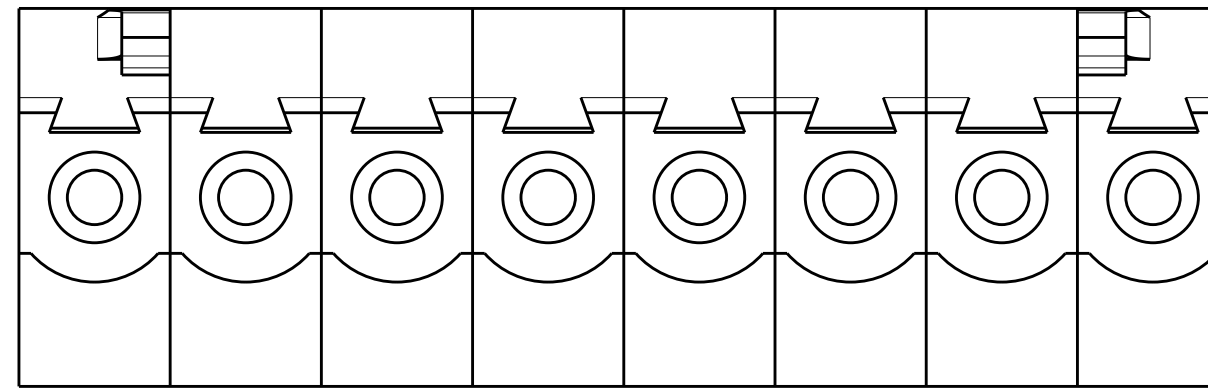
5 POLES: 2213935-5



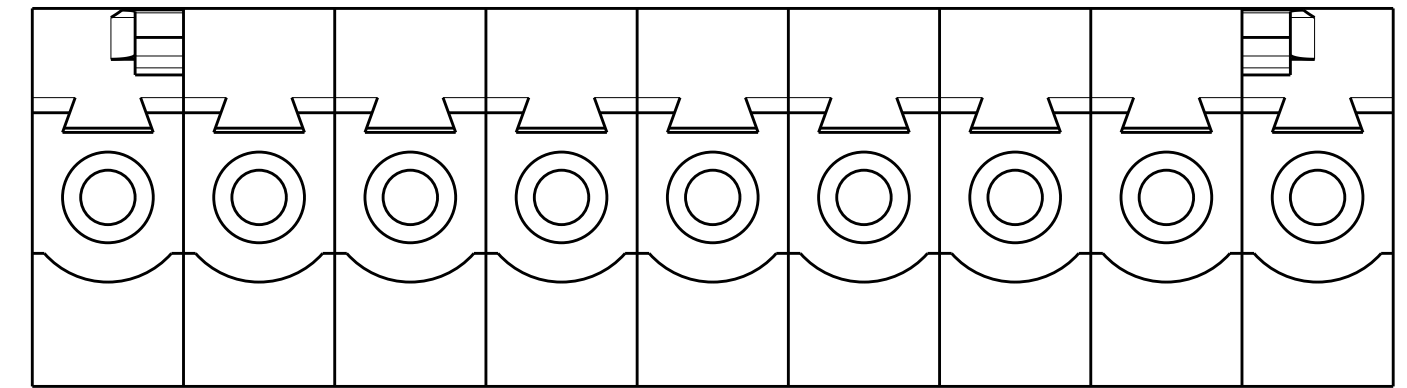
6 POLES: 2213935-6



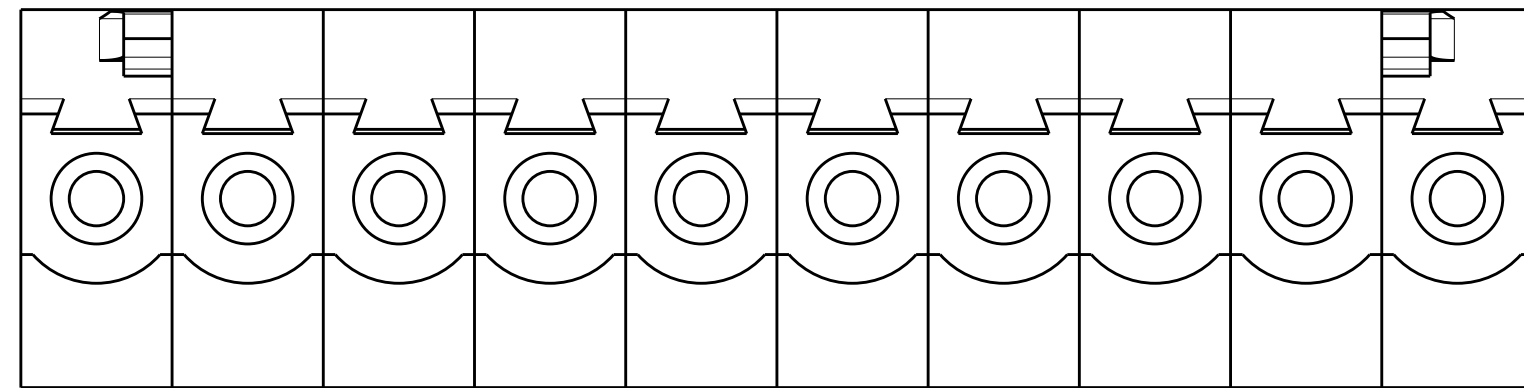
7 POLES: 2213935-7



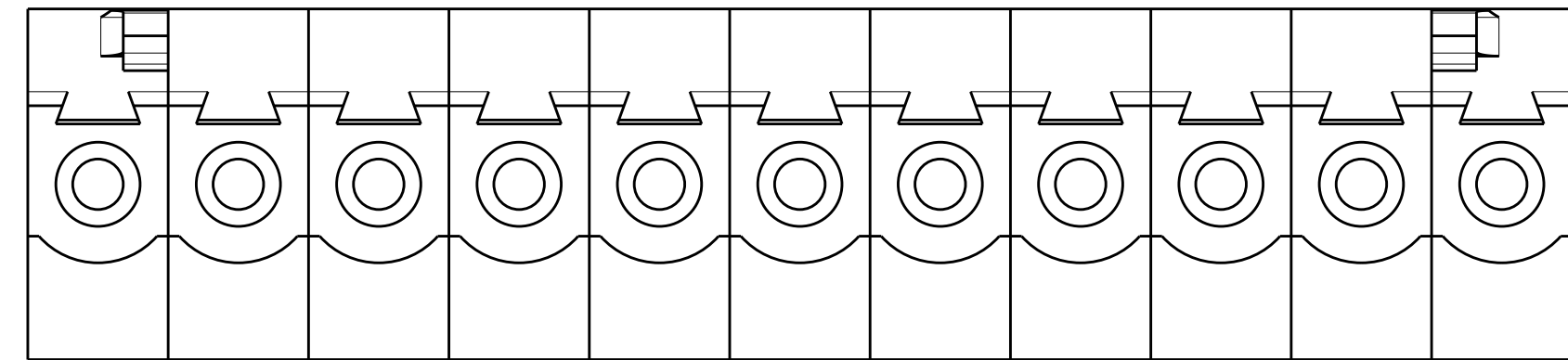
8 POLES: 2213935-8



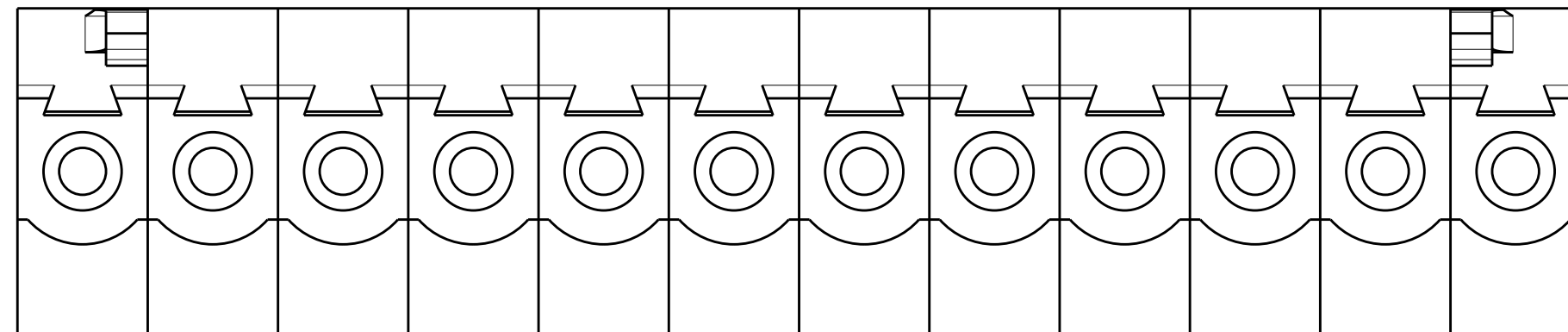
9 POLES: 2213935-9




10 POLES: 1-2213935-0



11 POLES: 1-2213935-1



12 POLES: 1-2213935-2

THIS DRAWING IS A CONTROLLED DOCUMENT.		DWN RAVI.S 10SEP2016	 TE Connectivity	
DIMENSIONS: mm		CHK M.LUKSIC 10SEP2016		
TOLERANCES UNLESS OTHERWISE SPECIFIED:		APVD M.LUKSIC 10SEP2016	NAME SOCKET TERMINAL BLOCK, PERPENDICULAR, 5.0MM PITCH, TOP RETENTION	
0 PLC ± 1 PLC ±0.2 2 PLC ±0.13 3 PLC ± 4 PLC ± ANGLES ± FINISH -		PRODUCT SPEC -	SIZE A2	RESTRICTED TO -
MATERIAL -		APPLICATION SPEC -	CAGE CODE -	DRAWING NO. G-2213935
		WEIGHT -	SCALE 5:1	SHEET 2 OF 2 REV A1
		CUSTOMER DRAWING		