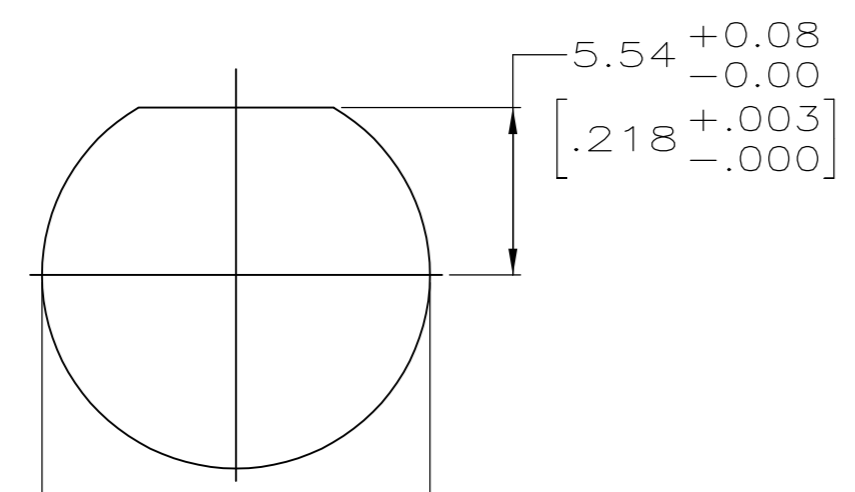
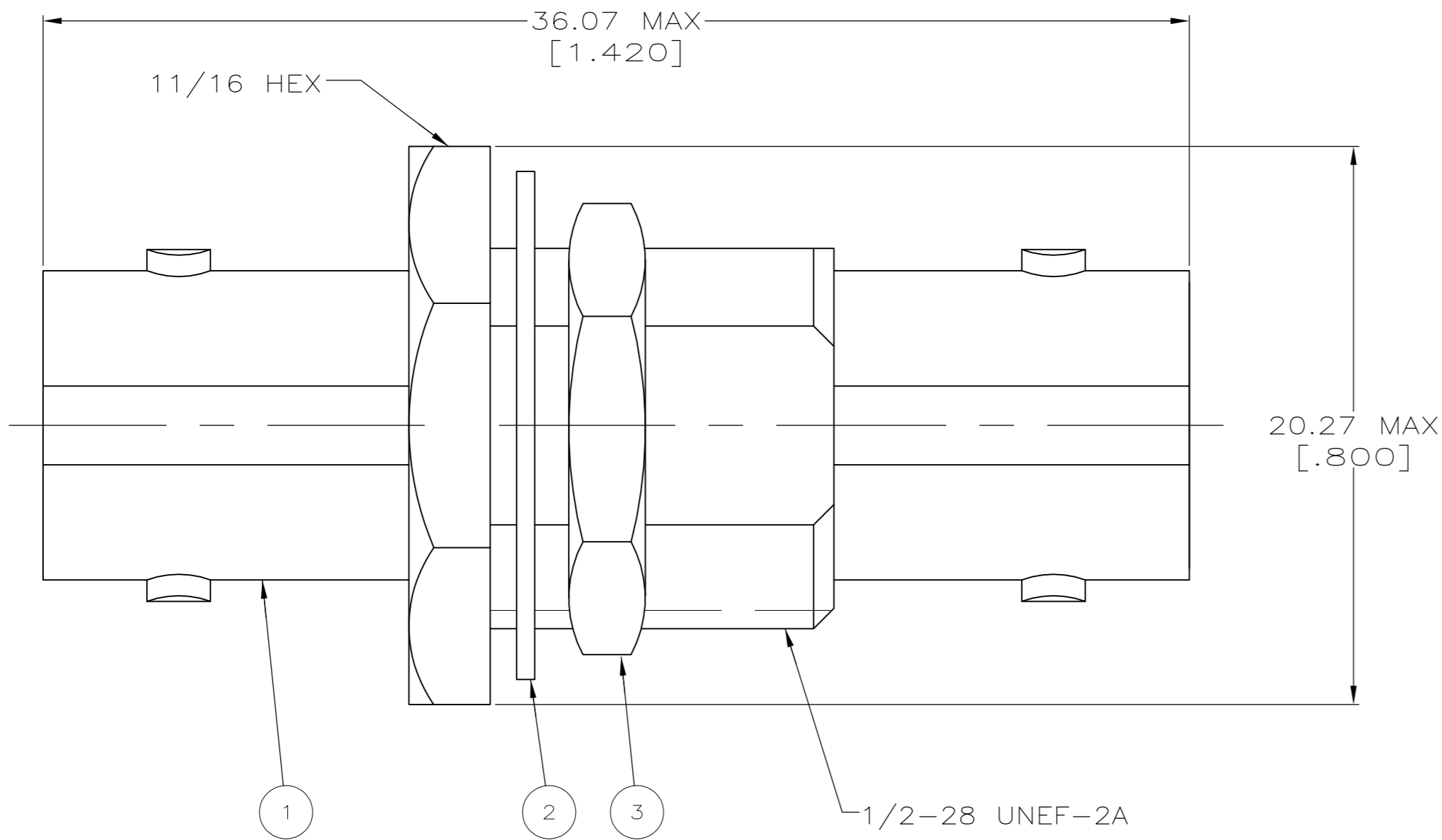


THIS DRAWING IS UNPUBLISHED. RELEASED FOR PUBLICATION
 © COPYRIGHT - By - ALL RIGHTS RESERVED.

LOC	DIST	REVISIONS					
		P	LTR	DESCRIPTION	DATE	DWN	APVD
AJ	16	A1		REVISED PER ECO-11-005030	11MAR11	RK	HMR

- 1. PARTS PACKAGED UNASSEMBLED
- 2. PANEL THICKNESS = 6.35 [.250] MAX



$\phi 12.83 \begin{matrix} +0.13 \\ -0.00 \end{matrix}$
 $\begin{matrix} [.505 \\ -.000] \end{matrix}$

RECOMMENDED PANEL CUTOUT
 SCALE 4:1

1-329631-2	1-329632-2	222118-1	222117-1
3 JAM NUT QTY=1	2 LOCK WASHER QTY=1	1 JACK ADAPTOR ASSY QTY=1	PART NUMBER

THIS DRAWING IS A CONTROLLED DOCUMENT.		DWN M. O'BRINE 25FEB00	TE TE Connectivity	
DIMENSIONS: mm [INCHES]		CHK J. HAVENER 25FEB00		
TOLERANCES UNLESS OTHERWISE SPECIFIED:		APVD J. HAVENER 25FEB00	NAME ADAPTER,JACK,BULKHEAD 75 OHM,COMMERCIAL,BNC	
0 PLC ± - 1 PLC ± - 2 PLC ± - 3 PLC ± - 4 PLC ± - ANGLES ± -		PRODUCT SPEC -	SIZE A2	
MATERIAL -		FINISH -	CAGE CODE 00779	DRAWING NO C=222117-1
		WEIGHT -	RESTRICTED TO -	
		CUSTOMER DRAWING	SCALE 5:1	SHEET 1 of 1
			REV A1	