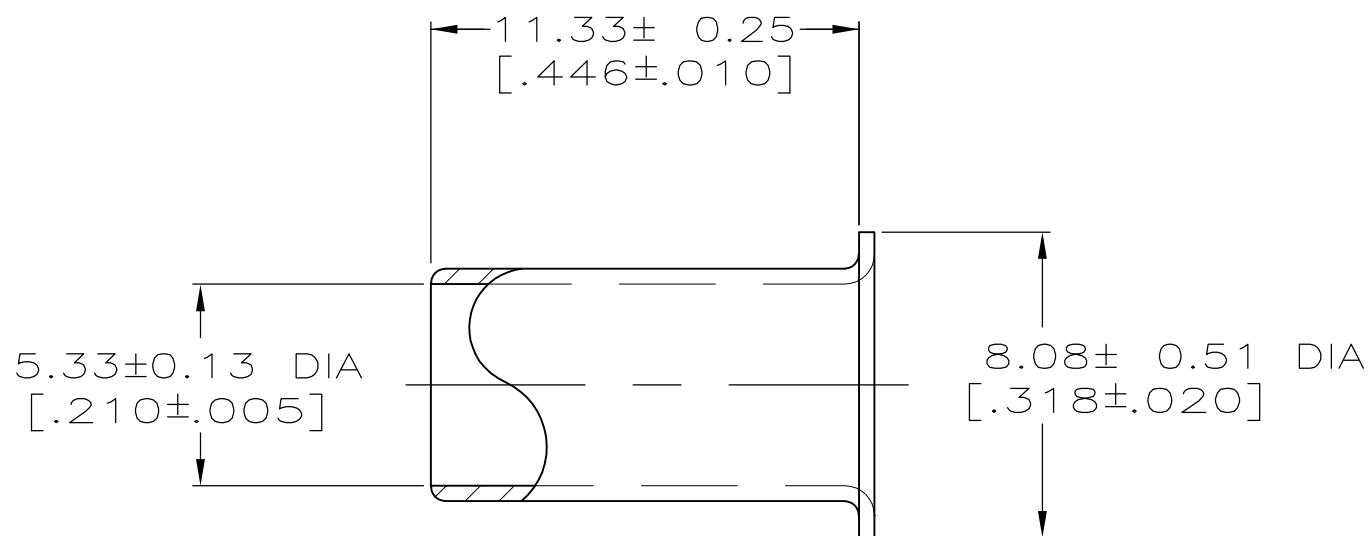


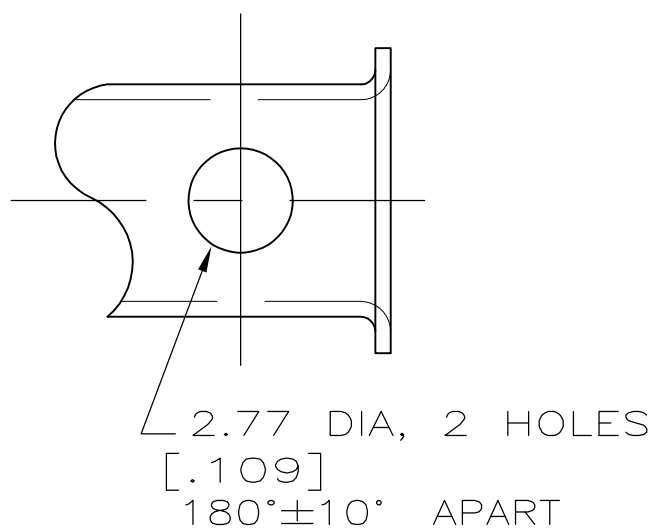
THIS DRAWING IS UNPUBLISHED. RELEASED FOR PUBLICATION

© COPYRIGHT BY TYCO ELECTRONICS CORPORATION. ALL INTERNATIONAL RIGHTS RESERVED.

LOC	DIST	REVISIONS					
AJ	16	P	LTR	DESCRIPTION	DATE	DWN	APVD
			H	REVISED PER ECO-10-008441	17JUN10	HMR	KW



VIEW X



VIEW Y
SAME AS VIEW X EXCEPT

- ① COPPER ALLOY
- ② NICKEL PL PER QQ-N-290
- ③ TIN PL PER MIL-T-10727
- ④ BLACK CHROMATE PLATE OVER ZINC PLATE PER ASTM-B-633
- ⑤ BLACK NICKEL PLATE

X	④	226599-7
X	⑤	226599-6
Y	③	226599-4
X	②	226599-2
VIEW	FINISH	PART NUMBER

THIS DRAWING IS A CONTROLLED DOCUMENT.		DWN J. MOLL 21NOV90	Tyco Electronics Corporation Harrisburg, PA 17105-3608													
DIMENSIONS: mm [INCHES]		CHK M. SNEED 21NOV90	Tyco Electronics													
TOLERANCES UNLESS OTHERWISE SPECIFIED:		APVD R. HENRY 21NOV90	NAME FERRULE, MINIATURE UHF													
<table border="0"> <tr><td>0 PLC</td><td>± -</td></tr> <tr><td>1 PLC</td><td>± -</td></tr> <tr><td>2 PLC</td><td>± -</td></tr> <tr><td>3 PLC</td><td>± -</td></tr> <tr><td>4 PLC</td><td>± -</td></tr> <tr><td>ANGLES</td><td>± -</td></tr> </table>		0 PLC	± -	1 PLC	± -	2 PLC	± -	3 PLC	± -	4 PLC	± -	ANGLES	± -	PRODUCT SPEC -	SIZE A3	
0 PLC	± -															
1 PLC	± -															
2 PLC	± -															
3 PLC	± -															
4 PLC	± -															
ANGLES	± -															
MATERIAL ①		APPLICATION SPEC -	CAGE CODE 00779	DRAWING NO C-226599												
FINISH SEE TABLE		WEIGHT -	RESTRICTED TO -													
CUSTOMER DRAWING			SCALE 5:1	SHEET 1 OF 1												
			REV H													