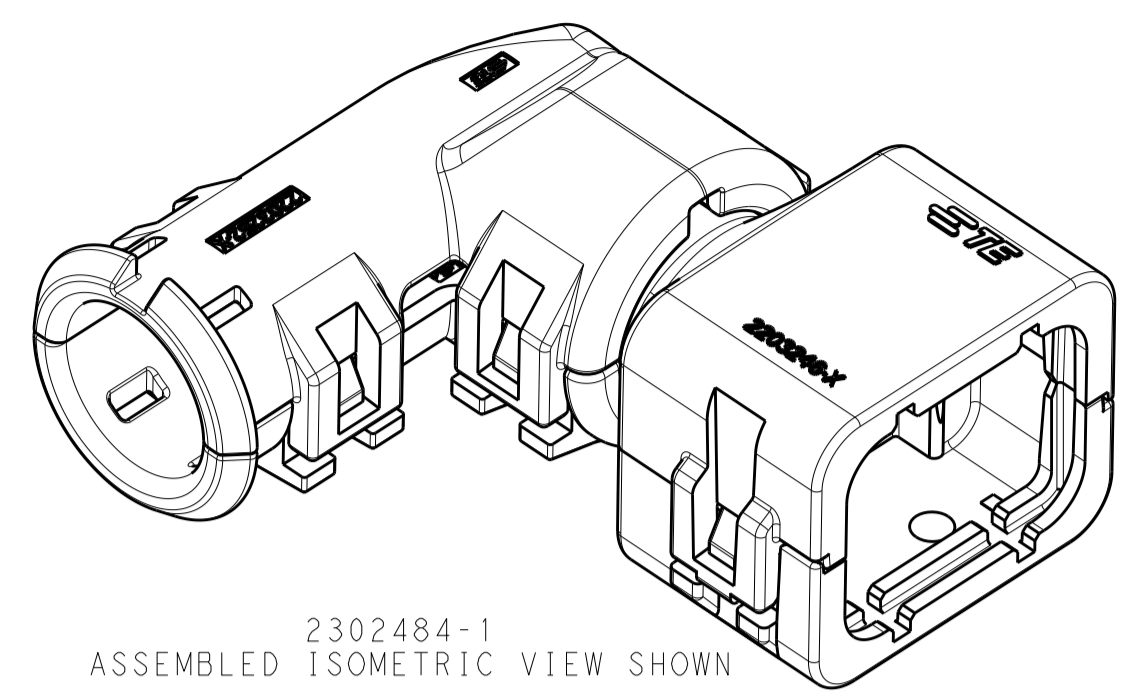
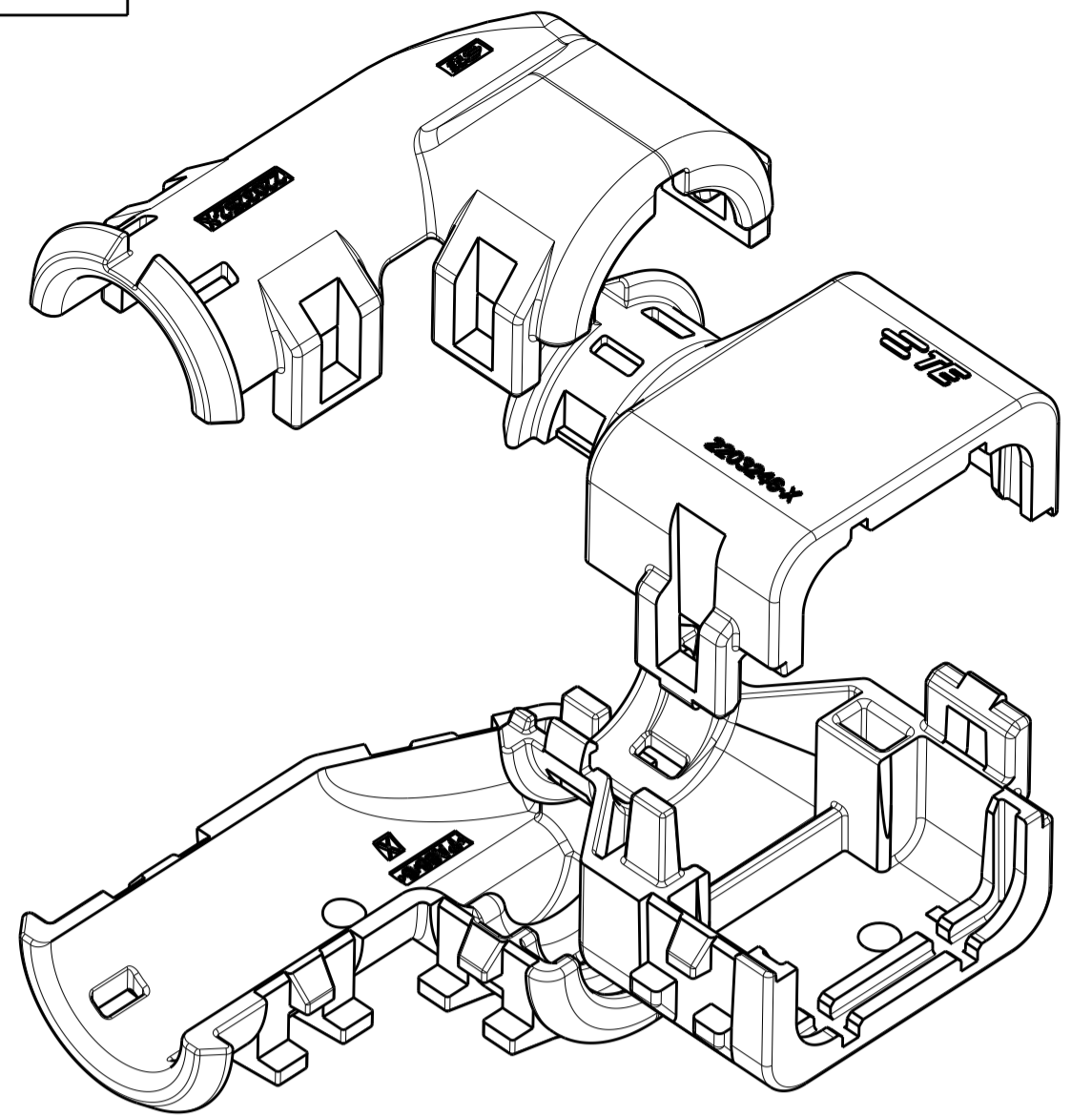


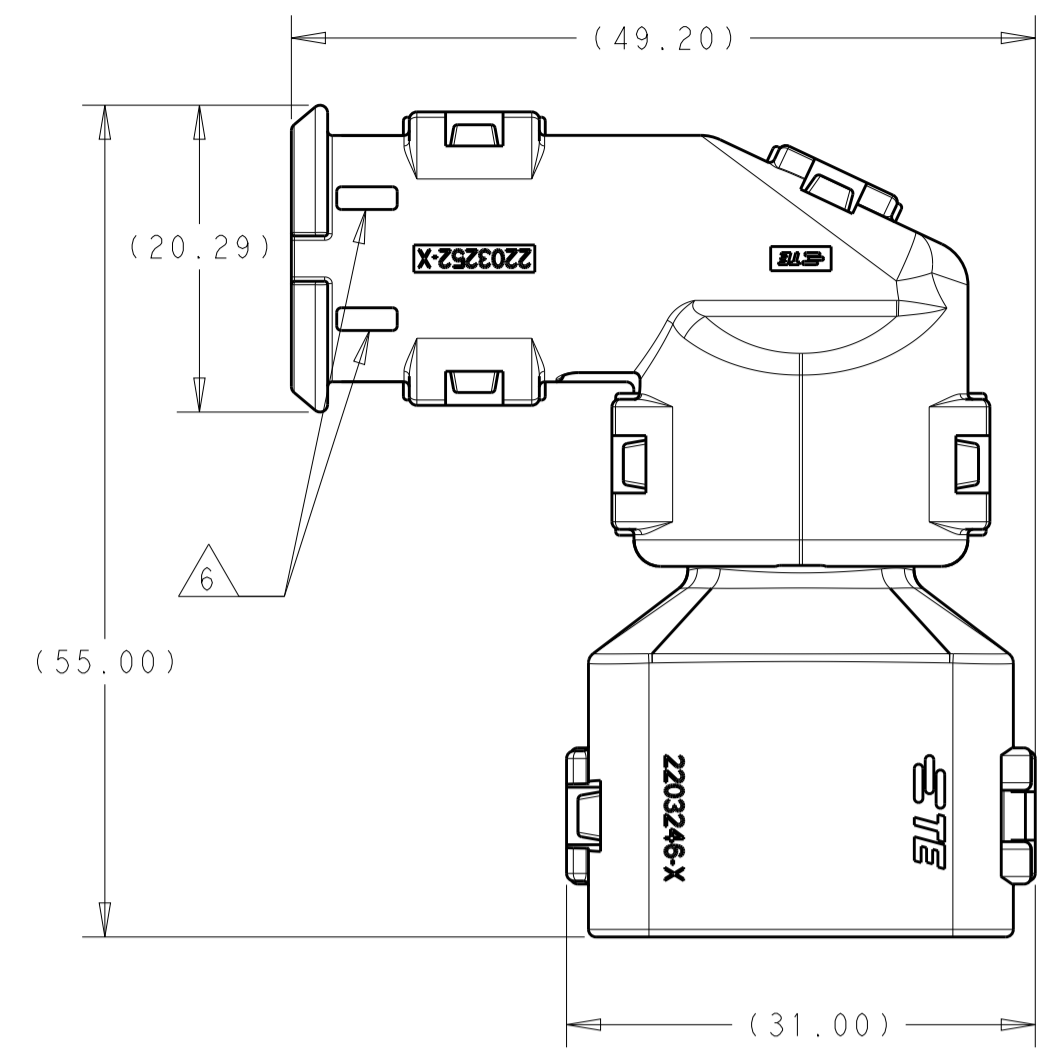
REVISIONS				
P	LTN	DESCRIPTION	DATE	APVD
A		RELEASED PER ECO-16-008203	01JUN2016	JM RB
A2		REV PER ECO-16-013256	08SEP2016	JM RB



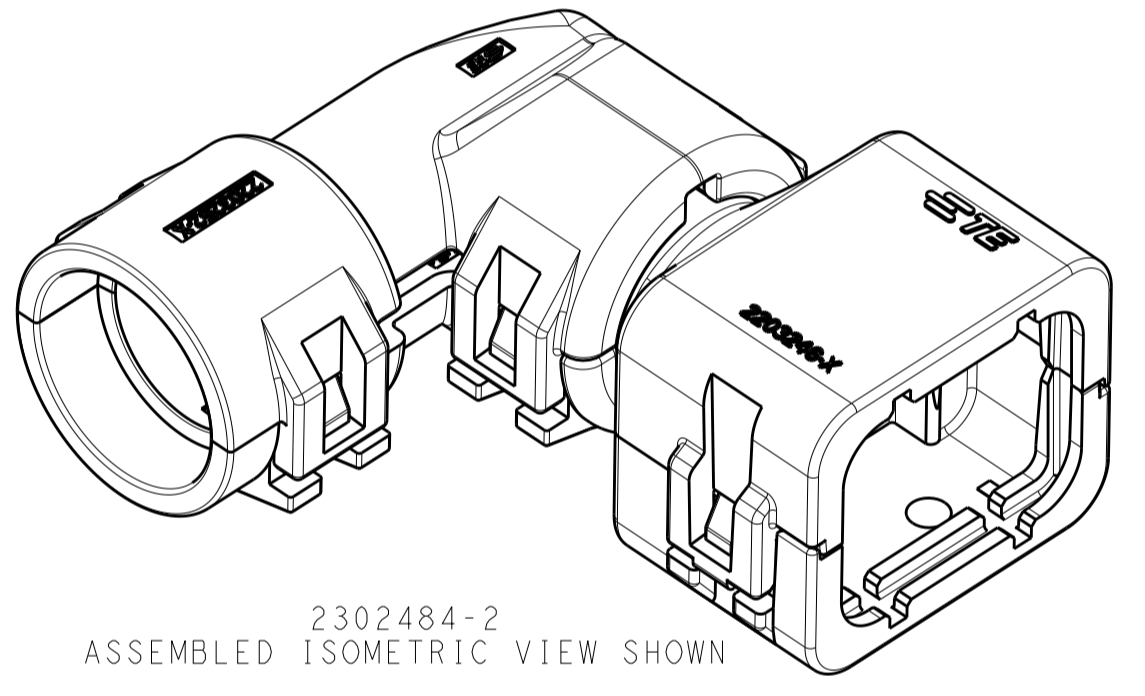
2302484-1
ASSEMBLED ISOMETRIC VIEW SHOWN



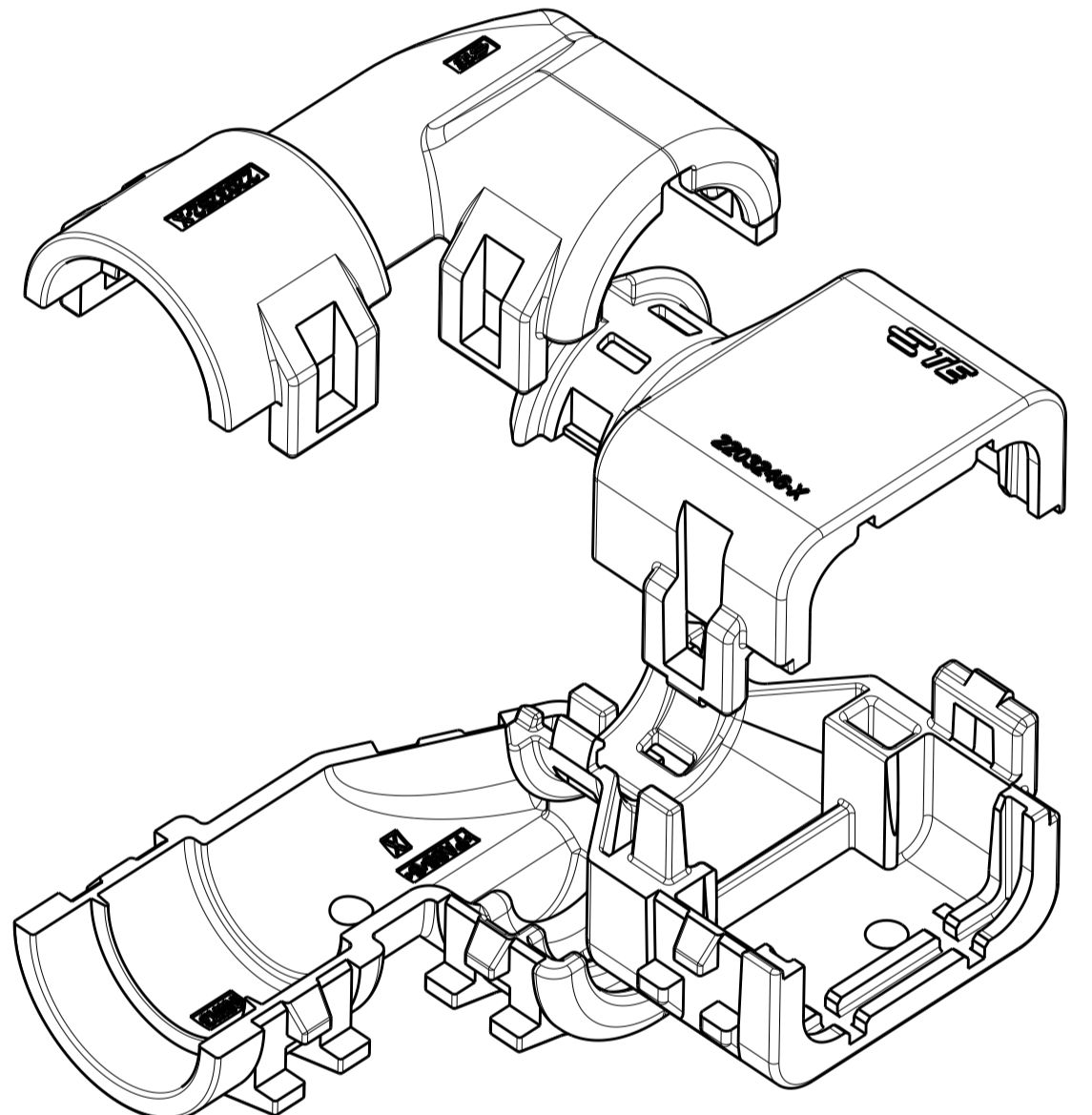
2302484-1
EXPLODED ISOMETRIC VIEW SHOWN



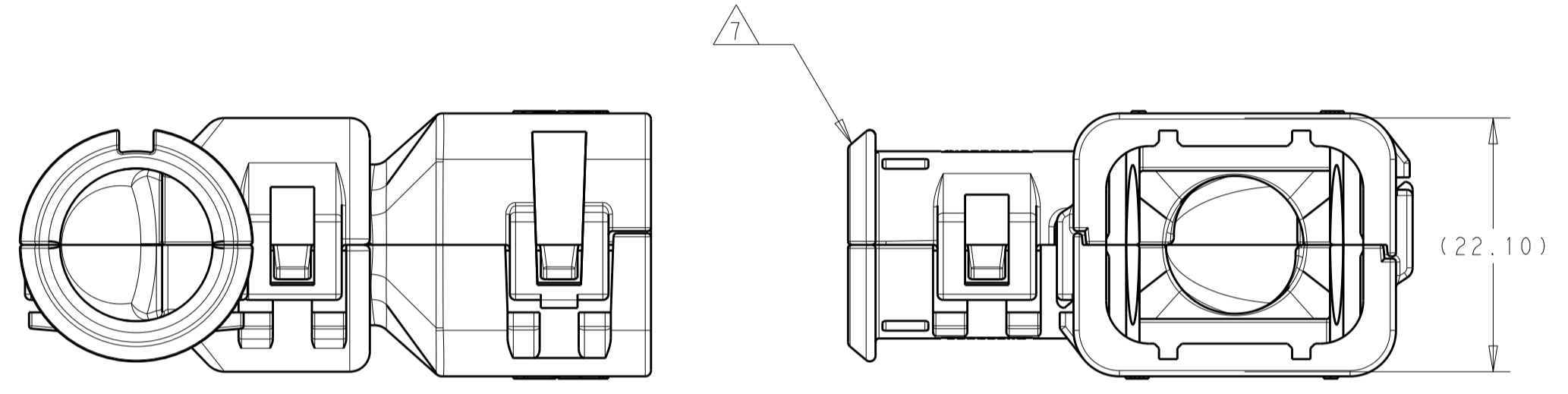
- 1 MATERIAL: NYLON MOLDING COMPOUND, BLACK, PA66/6.
- 2 BACKSHELL DESIGNED SUCH THAT TWO HALVES ATTACH TO ONE ANOTHER AND CLAMP AROUND THE CONNECTOR COVER.
- 3 ELBOW DESIGNED SUCH THAT TWO HALVES ATTACH TO ONE ANOTHER AND CLAMP AROUND THE BACKSHELL COLLAR.
- 4 DIMENSIONS TO BE MEASURED WHEN ELBOWS AND BACKSHELLS ASSEMBLED.
- 5 PRODUCT WEIGHTS:
2302484-1: 11.80g ASSEMBLED
2302484-2: 12.60g ASSEMBLED
2302484-3: 11.95g ASSEMBLED
- 6 4MM WIDE SLOTS FOR TIE WRAP TO SECURE HARNESS WIRES (-1 ONLY).
- 7 HEAT SHRINK TUBING FEATURE (-1 AND -3 ONLY).
- 8. INSTRUCTION SHEET: 408-151043.
- 9. CONDUIT PROFILE: NORMAL ONLY.



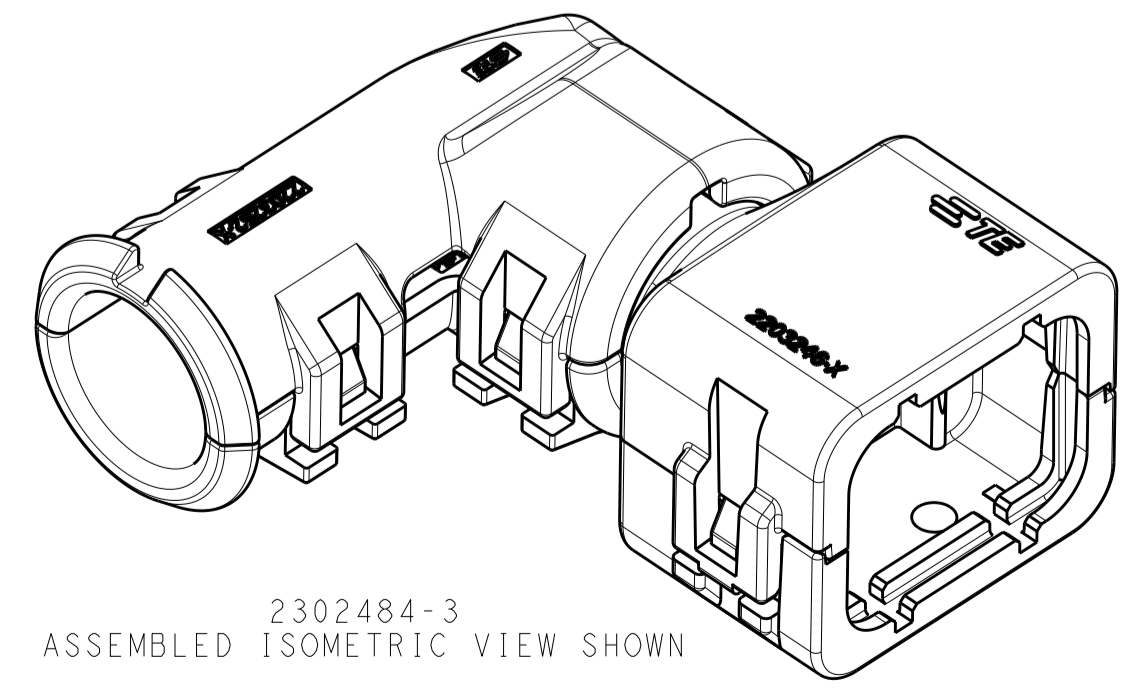
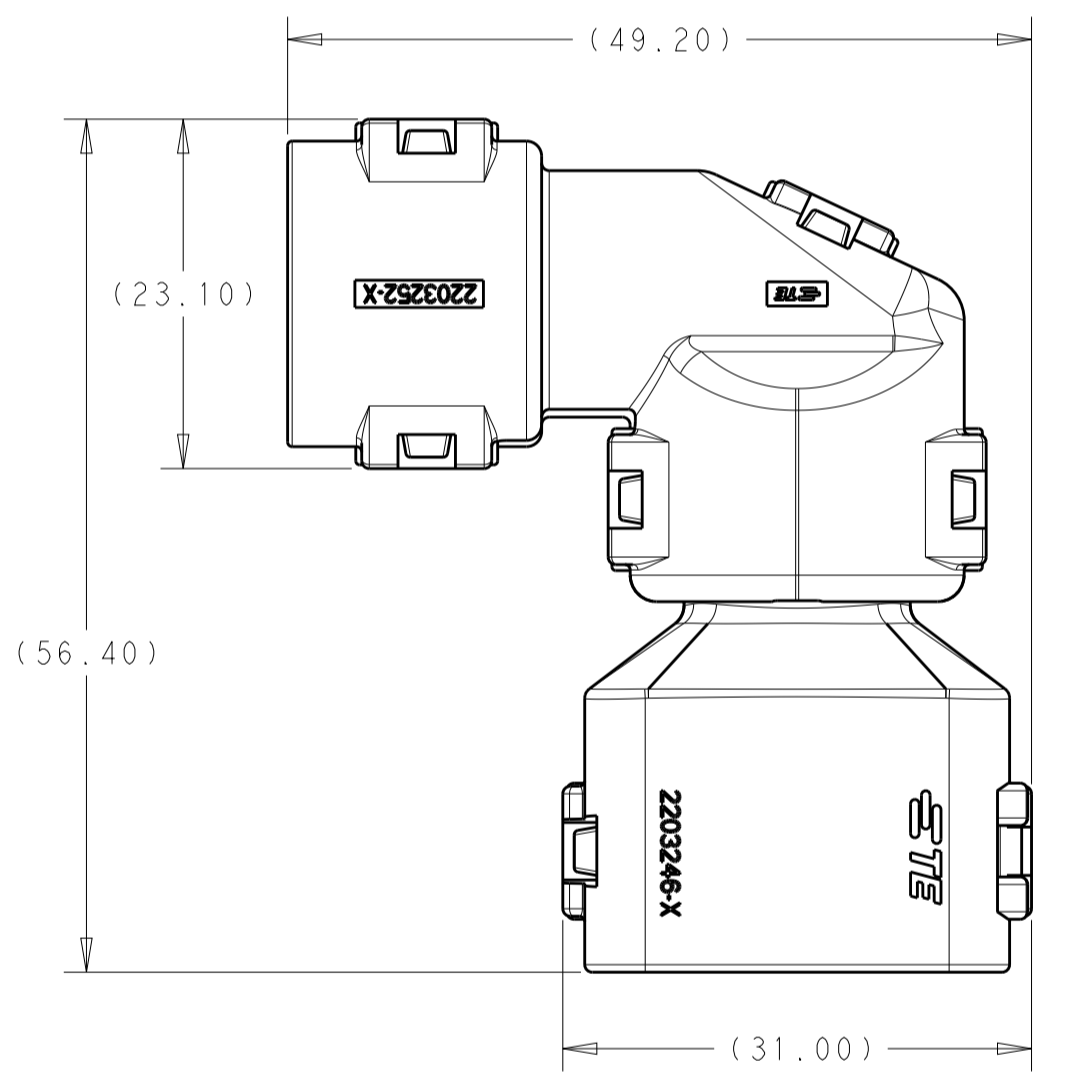
2302484-2
ASSEMBLED ISOMETRIC VIEW SHOWN



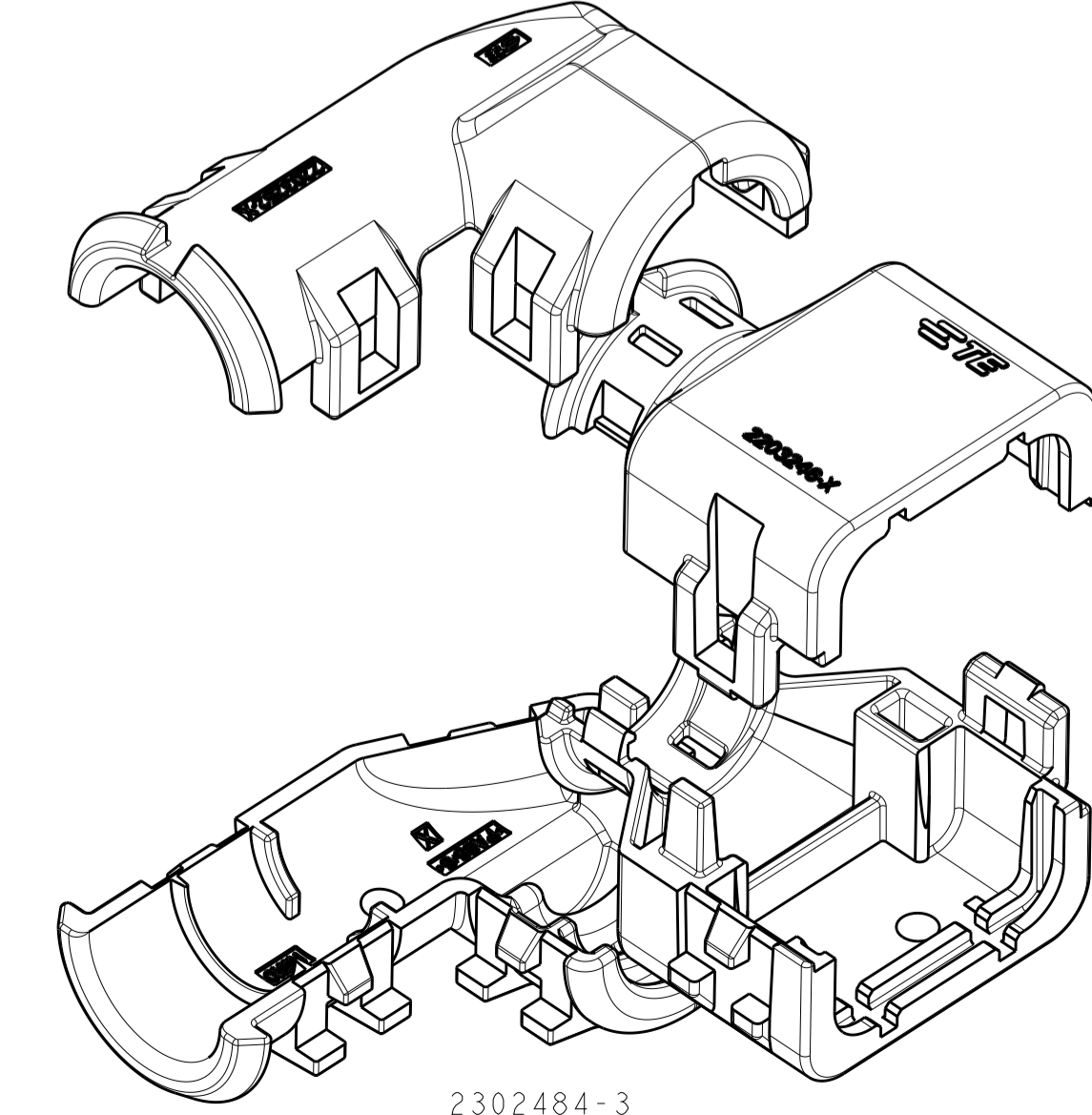
2302484-2
EXPLODED ISOMETRIC VIEW SHOWN



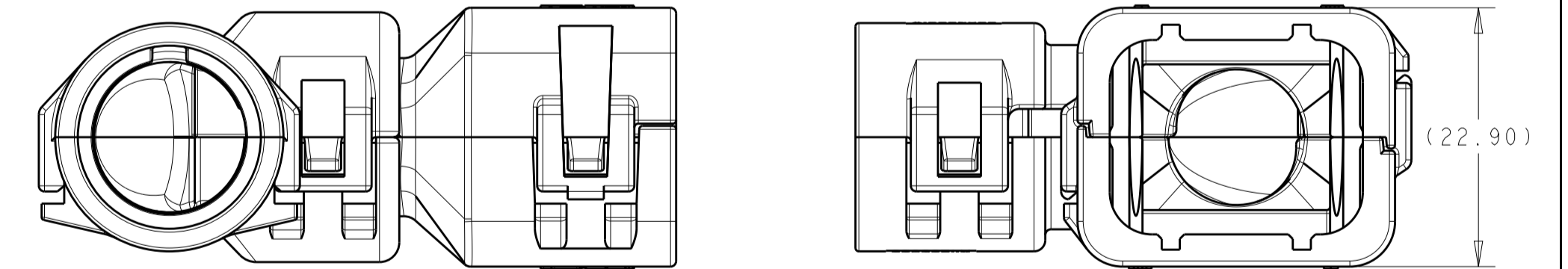
2302484-1
ASSEMBLED VIEW SHOWN
DIMENSIONS SHOWN TYPICAL FOR 2302484-1 AND -3



2302484-3
ASSEMBLED ISOMETRIC VIEW SHOWN



2302484-3
EXPLODED ISOMETRIC VIEW SHOWN



2302484-2
ASSEMBLED VIEW SHOWN
DIMENSIONS SHOWN FOR 2302484-2 ONLY

776434-X	NC12	NW10	2302483-3
776537-X	NC16	NW13	2302483-2
	SMOOTH	SMOOTH	2302483-1
FITS ON CAP ASSY	CORREGATE NC	CORREGATE NW	PART NUMBER
	CONDUIT SIZE		

THIS DRAWING IS A CONTROLLED DOCUMENT.

DIMENSIONS:	TOLERANCES UNLESS OTHERWISE SPECIFIED:	DATE: 26APR2016	NAME: TE Connectivity
mm	0 PLC ±	CHK: R. BALTER	PRODUCT SPEC: 108-151043
	1 PLC ±	APVD: R. BALTER	APPLICATION SPEC:
	2 PLC ±		SIZE: A1
	3 PLC ±		CAGE CODE: 00779
	4 PLC ±		DRAWING NO: 2302484
	ANGLES ±		RESTRICTED TO: A
MATERIAL:	FINISH:	WEIGHT: 5	SCALE: 2:1
1		CUSTOMER DRAWING	SHEET 1 OF 1