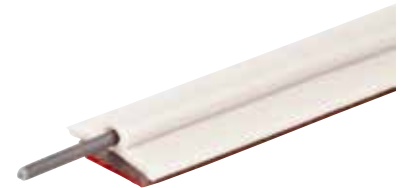


3M™ One Pass Mini Fiber Pathway

- 3M™ One Pass Mini Fiber Pathway is ideal for use in brownfield Multi Dwelling Units (MDUs) or Single Family Units (SFUs) serviced by FTTH networks
- Also suitable for hotels, schools, hospitals and small businesses
- The One Pass Mini pathway is a single fiber flexible, surface-mount cable pathway and drop cable solution installed in just one pass
- Used to connect to hallway distribution cables from a point-of-entry location near an apartment door to a wall outlet in the living unit positioned near an ONT
- Utilizes 3M adhesive technology to adhere duct to wall
- Compatible with a variety of wall surfaces
- Factory terminated at one end with a SC connector (optional)
- Suitable for indoor use only



3M™ One Pass Mini Fiber Pathway Duct

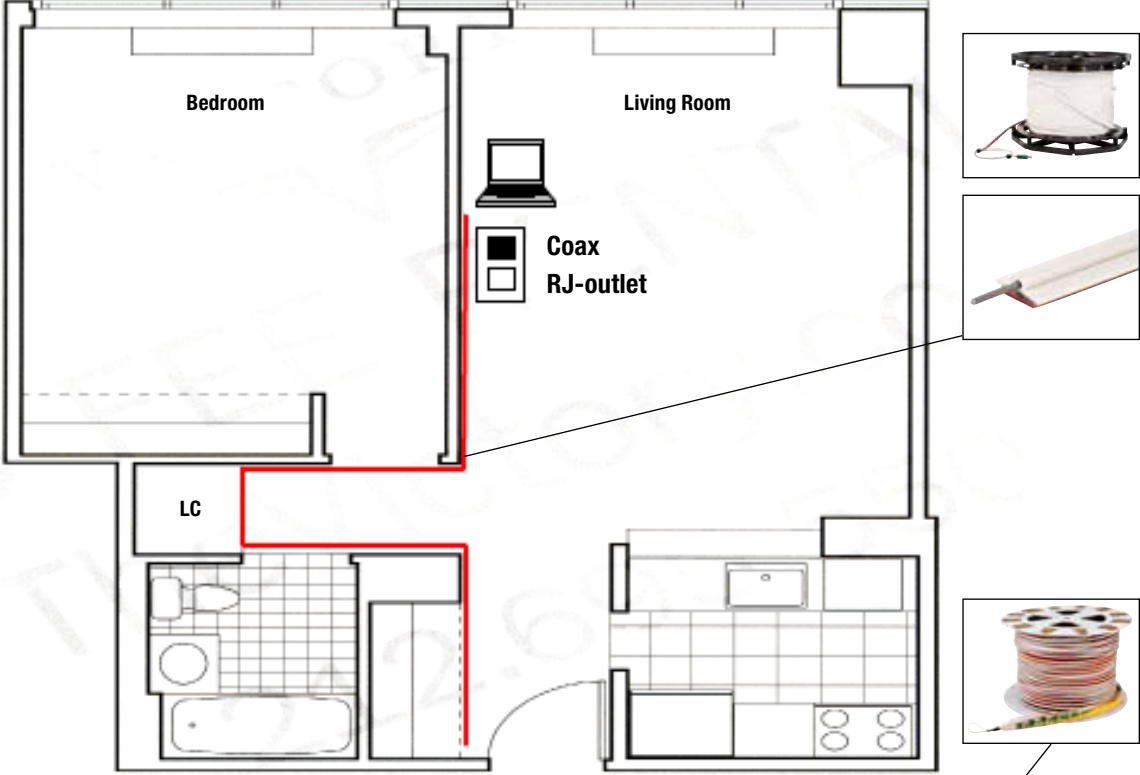


3M™ One Pass Small Surface-Mount Point-of-Entry Box SM-SMALL-POE-10-IV and 3M™ No Polish Connector 8800-APC/AS

Feature	Benefit
One Pass Mini pathway is low profile and less obtrusive than existing drop cable solutions	Respects apartment aesthetics; a unique cable pathway solution for apartments where exposed cables are not acceptable to tenants, increasing service provider revenue opportunities
One Pass Mini pathway facilitates use of small desktop ONTs	Virtually eliminates time and expense of running new wiring (twisted pair, coax) to closets where large wall mount ONTs are typically placed
3M™ One Pass Mini Fiber Pathway Duct also works on concrete walls where stapling ruggedized drop cables isn't an option	Apartments with concrete walls can now be wired for FTTH services quickly and cost effectively, increasing potential revenue for the FTTH service provider
Use of 3M adhesive technology to mount One Pass Mini Duct enables quiet installation, maintains signal integrity, and eliminates marks left on ceilings from staple guns	Provides minimally disruptive customer installation experience and preserves apartment aesthetics while reducing potential for macrobends and high attenuation that may be caused by stapling
One Pass Mini has few pieces to install	Installation is easy, training crews takes less time and is less costly than some traditional methods; eliminates time spent loading/unloading staple guns needed for stapling ruggedized drop cables
One Pass Mini pathway is compatible with the 3M™ One Pass Fiber Pathway for horizontal cable applications	Final drop cable installation time is significantly reduced, and customer installation time diminished
Duct can be cut to needed length and quickly and easily field terminated with 3M™ No Polish Connector or 3M™ Crimplok™+ Connector	Limits fiber waste and large boxes designed to store excess cable slack. Expensive and time consuming fusion splice machines are no longer needed for terminations

3M™ One Pass Mini Fiber Pathway

Apartment Layout and Product Placement Illustration



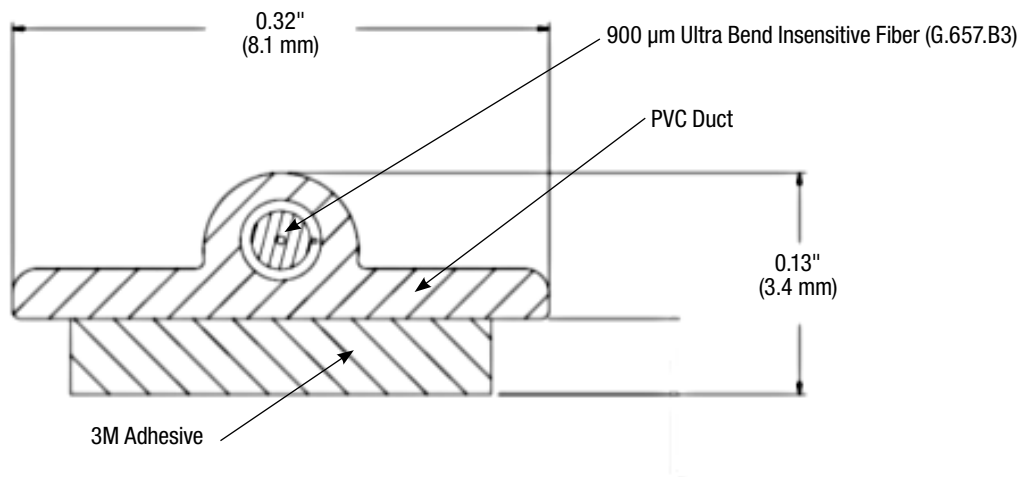
-  3M™ One Pass Fiber Pathway or Alternative Horizontal Cable Pathway Solution
-  3M One Pass Mini Fiber Pathway

3M™ One Pass Mini Fiber Pathway Duct

Technical Specifications

Material	PVC (Polyvinyl chloride)
Color	Ivory
Paintability	Paintable with either latex or oil based paint
Certifications	<p>The One Pass Fiber Pathway product has been Listed to the requirements of UL5C, Surface Raceways and Fittings For Use with Data, Signal, and Control Circuits. This product is for General Purpose applications only. The One Pass Fiber Pathway product is Certified to CAN/ULC S143, Conforms to UL Std 1685, FT4.</p> <p>16°C to +38°C (61°F to +100°F) on a clean, dry surface. Suggested to maintain relative humidity below 85% to prevent surface condensation.</p>
Installation Conditions	<p>Note: Allow the 3M™ One Pass Mini Fiber Pathway duct and accessories to acclimate for 24 hours at recommended product installation temperature prior to install.</p> <p>Note: For optimum curing of the adhesive, hold recommended installation temperature conditions for 72 hours after product installation.</p>
Storage Conditions	The 3M™ One Pass Mini Fiber Pathway has a shelf life of 24 months from date of manufacture when stored at 40°F to 100°F (4°C to 38°C) and 0-95% relative humidity. The optimum product storage conditions are 72°F (22°C) and 50% relative humidity.
Operating Conditions	40°F to 100°F (4°C to 38°C)
UV Resistance	Installed duct tested to indoor UV requirements of ASTM G 154

Cross Section of 3M™ One Pass Mini Fiber Pathway Duct



3M is a trademark of 3M Company.

3M™ One Pass Mini Fiber Pathway Wall Surface Compatibility Test Results

Wall Surface Type	Pass
Painted Smooth Surfaces	
Flat Latex	Yes
Semi-gloss Latex	Yes
Glossy Latex	Yes
Semi-gloss Alkyd	Yes
Painted Textured Surfaces: Light Stucco & Cement Block	
Flat Latex	Yes
Semi-gloss Latex	Yes
Glossy Latex	Yes
Semi-gloss Alkyd	Yes
Wallpapered Surfaces	
Plain Paper	Yes
Vinyl Coated	Yes
Vinyl	Yes
Polyolefin Woven	No
Unfinished and/or Unpainted Brick, Concrete, or Block	No



3M™ One Pass Mini Surface-Mount Point-of-Entry Wall Cover

Product Contents

The duct is spooled and placed in Reel-in-a-Box packaging, eliminating the need for pay-off racks.

Extruded duct, factory-filled with one 900 µm ultra bend insensitive, tight buffered fiber (G.657.B3) and backed with 3M adhesive

Duct can be factory terminated on one end with SC connectors (optional)

Available as a kit; includes 3M™ One Pass Mini Fiber Pathway Duct, one 3M™ One Pass Mini Surface-Mount Wall Outlet and one 3M™ One Pass Mini Surface-Mount Point-of-Entry Wall Cover



3M™ One Pass Mini Surface-Mount Wall Outlet

3M™ One Pass Mini Fiber Pathway Duct Configuration Guide

Model Number

XXX XXX

XX

XXX

X

Placement Location		Length		Fiber Count		Connectors		Duct Color	
ILU	In Living Unit	100	100 ft. (30 m)	01	1f	SCA	SC/APC	IV	Ivory
		150	150 ft. (45 m)			SCU	SC/UPC		
						000	—		

3M™ One Pass Mini Fiber Pathway Duct Ordering Information

Product Name	Description	3M ID	MOQ
ILU-100-01-SCA-IV-ILU-KIT	One Pass Mini Kit, Duct and Boxes, 100 ft. (30 m)	80-6113-8211-2	1 Kit
ILU-150-01-SCA-IV-ILU-KIT	One Pass Mini Kit, Duct and Boxes, 150 ft. (45 m)	80-6113-8415-9	1 Kit
ILU-100-01-000-IV	One Pass Mini Duct, No Terminations, 100 ft. (30 m)	80-6113-8212-0	1 Spool
ILU-150-01-000-IV	One Pass Mini Duct, No Terminations, 150 ft. (45 m)	80-6113-8451-4	1 Spool
ILU-300-01-000-IV	One Pass Mini Duct, No Terminations, 300 ft. (90 m)	80-6113-8869-7	1 Spool



3M™ One Pass Mini Surface-Mount Wall Outlet and 3M™ No Polish Connector 8800-APC/AS

3M™ One Pass Mini Fiber Pathway Product Accessories

Product Name	Description	3M ID	Min. Order
ILU-SM-WO-02-SCA-IV	One Pass Mini Surface-Mount Wall Outlet, 2F	80-6113-8213-8	60
ILU-SM-WO-02-SCU-IV	One Pass Mini Surface-Mount Wall Outlet, 2F	80-6113-8488-6	60
ILU-SM-POE-WC-IV	One Pass Mini Surface-Mount POE Wall Cover	80-6113-8214-6	60
ILU-PLN-12-IV	One Pass Mini Planar Corners, 12 Corners Per Bag	80-6113-8215-3	60
ILU-ANCHOR-12-IV	One Pass Mini Mechanical Anchor, 12 Per Bag	80-6113-8216-1	60
ILU-EXT-12	One Pass Mini Exterior Corner Supports, Formed (Metal), 12 Per Bag	80-6113-8217-9	60
ILU-BRIDGE-125-60	One Pass Mini Bridge Strip 12.5" Long 60 Per Kit	80-6113-8218-7	60
ILU-DUCT-INSTALL-TOOL	One Pass Mini Duct Installation Tool	80-6113-8219-5	4
ILU-DUCT-CHOMPER-TOOL	One Pass Mini Duct Flange Removal Tool	80-6113-8221-1	4
ILU-TOOL-KIT	One Pass Mini Installation Tool Kit, ILU	80-6113-8222-9	1 Kit
ILU-REPAIR-KIT	ILU Fiber Repair Kit	80-6113-8220-3	1
ILU-TEST-KIT	ILU Wall Surface Compatibility Test Kit	80-6113-9528-8	1
SM-POE-10-IV	One Pass Surface-Mount Point-of-Entry Box	80-6113-3380-0	60
SM-SMALL-POE-10-IV	One Pass Small Surface-Mount Point-of-Entry Box	80-6113-8453-0	60

3M Connector Ordering Information

Product Name	Description	3M ID	Min. Order
8800-APC/AS	No Polish Connector SC/APC SM Angle Splice 250/900	80-6113-2627-5	60/package
8700-PS/APC	3M™ Crimplok™ + Connector SC/APC SM 250/900 with Protrusion Setting Tool	80-6113-8751-7	60
8700-PS/APC/C	3M™ Crimplok™ + Connector SC/APC SM 250/900 with Protrusion Setting Tool with 3M™ Easy Cleaver	80-6114-9435-4	120
2565	Fiber Optic Angle Cleave Kit with Angle Cleaver	80-6113-2508-7	1/package
2535	Fiber Optic Angle Cleaver	80-6113-2423-9	1/package
8765-APC	3M™ Crimplok™ + Connector Kit	80-6113-8073-6	1

3M and Crimplok are trademarks of 3M Company.

Important Notice

All statements, technical information, and recommendations related to 3M's products are based on information believed to be reliable, but the accuracy or completeness is not guaranteed. Before using this product, you must evaluate it and determine if it is suitable for your intended application. You assume all risks and liability associated with such use. Any statements related to the product which are not contained in 3M's current publications, or any contrary statements contained on your purchase order shall have no force or effect unless expressly agreed upon, in writing, by an authorized officer of 3M.

Warranty; Limited Remedy; Limited Liability.

This product will be free from defects in material and manufacture for a period of 12 months from the time of purchase. **3M MAKES NO OTHER WARRANTIES INCLUDING, BUT NOT LIMITED TO, ANY IMPLIED WARRANTY OF MERCHANTABILITY OR FITNESS FOR A PARTICULAR PURPOSE.** If this product is defective within the warranty period stated above, your exclusive remedy shall be, at 3M's option, to replace or repair the 3M product or refund the purchase price of the 3M product. **Except where prohibited by law, 3M will not be liable for any loss or damage arising from this 3M product, whether indirect, special, incidental or consequential regardless of the legal theory asserted.**



Communication Markets Division

6801 River Place Blvd.
Austin, TX 78726-9000
800/426 8688
Fax 800/626 0329
www.3M.com/Telecom

Please recycle. Printed in USA.
© 3M 2014. All rights reserved.
80-6114-9892-6