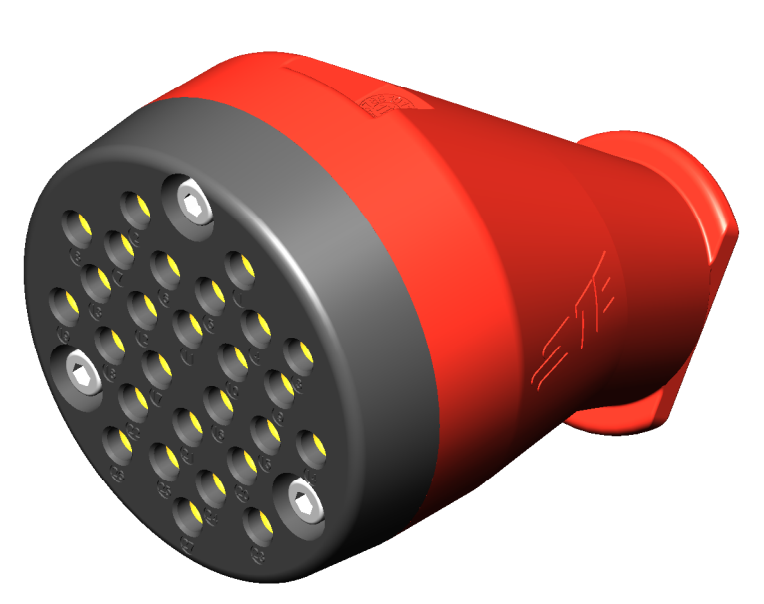


Project NR		REVISIONS			
P	LTW	DESCRIPTION	DATE	BY	APPV
B		Diffusion N°331170	28.JUL.2015	MB	MV
C		Agg item 15 and 13 - Add note 13 (Diffusion 331170)	13.MAR.2016	MB	MV
D		Change reference item 2, 6 and 7 - Update product spec & application spec - Diffusion 331174	01.FEB.2016	EL	MV

- 1 () : cotes pour information / dimensions for information
cotes de controle / inspection dimensions
- 2 () Instructions de mise en oeuvre à appliquer par le client
Customer instructions to be applied by the customer
- 3 () Ref. YS-UC-212601A-AA1A is a KIT with 3 contacts AWG10
Ref. YS-UC-212602A-AA1A is a KIT with 24 contacts AWG12/14
- 4 () Laser marking :
TE + Commercial reference + Year-Week
- 5 () Red paint
- 6 () Work instruction according to 118-157000-2
- 7 () Groove made to differentiate contacts
- 8 () Sleeves packaging separately and identified
- 9 () Daniels manual crimping tool :
- Hand crimper HX4
- Die Y543
Daniels pneumatic crimping tool :
- Pneumatic pump HX25
- Die Y543
- 10 () Tightening torque = 10Nm
- 11 () A label with the commercial reference and the complete BDM is glued on the cardboard
- 12 Standards :
AAR 5-512, APTA RP-E-019-99
- 13 () Key
- 14 () DRAFT ANGLE
- 15 () Packaging Specification 107-157003
- 16 () Clamping cone Rep 7 suitable with hose acc. to APTA PR-E-RP-019-99 and AAR 5512 definition 1 1/4inch in I.D. and 1 23/32 in O.D. (eg. PARKER ref. GST II BLACK 15 BAR 32x45)

Vue isométrique - Echelle 1:2
Isometric view - Scale 1:2

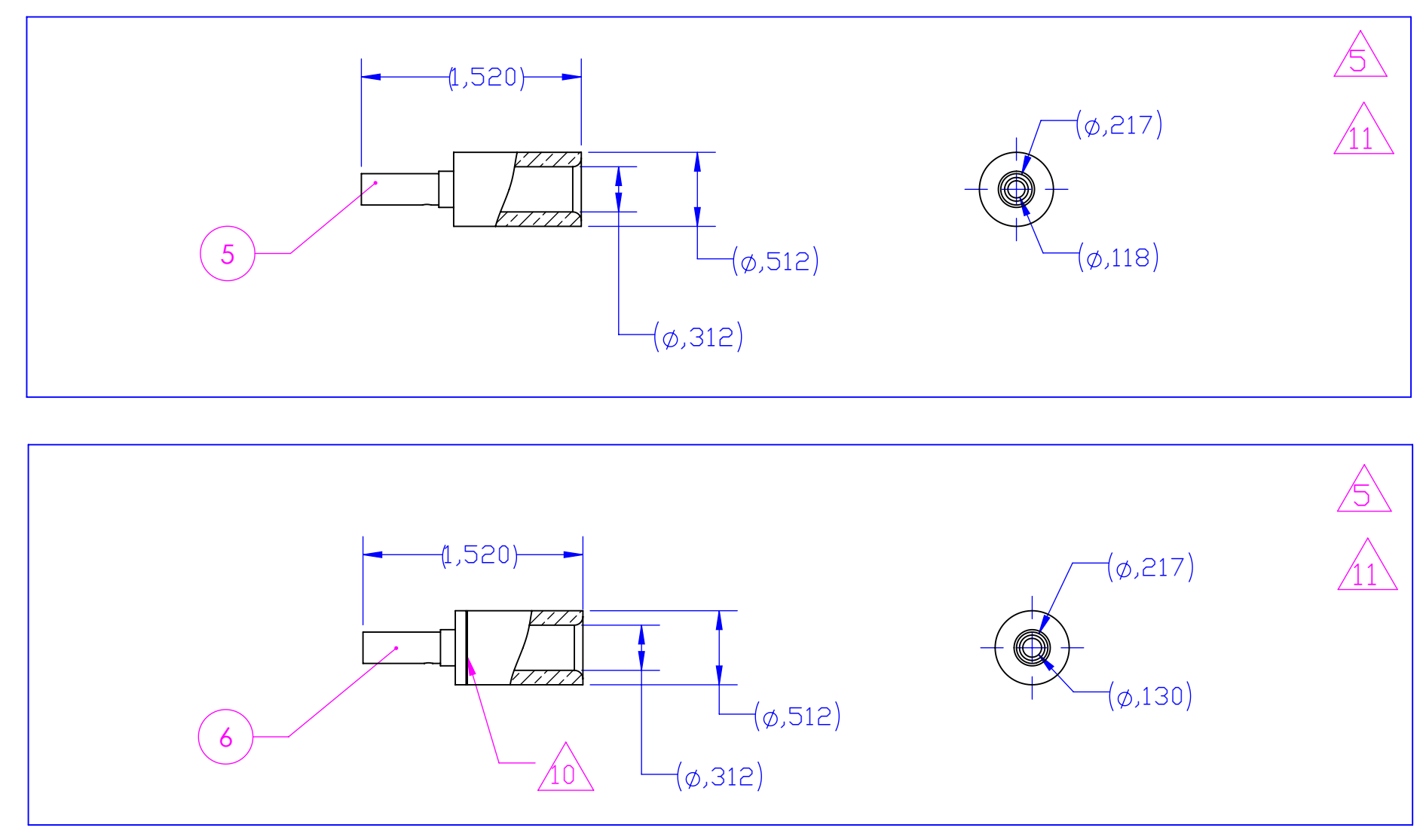
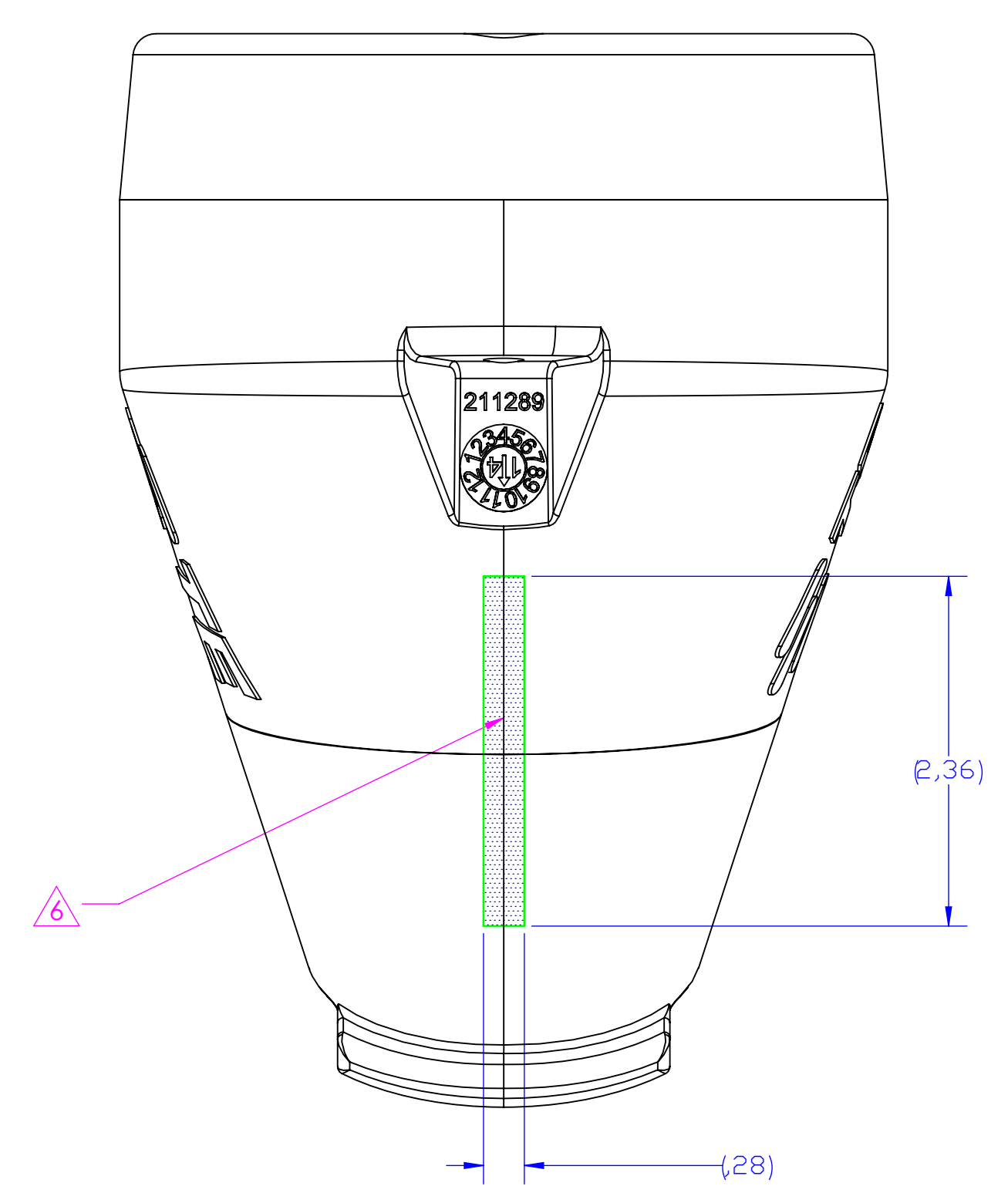
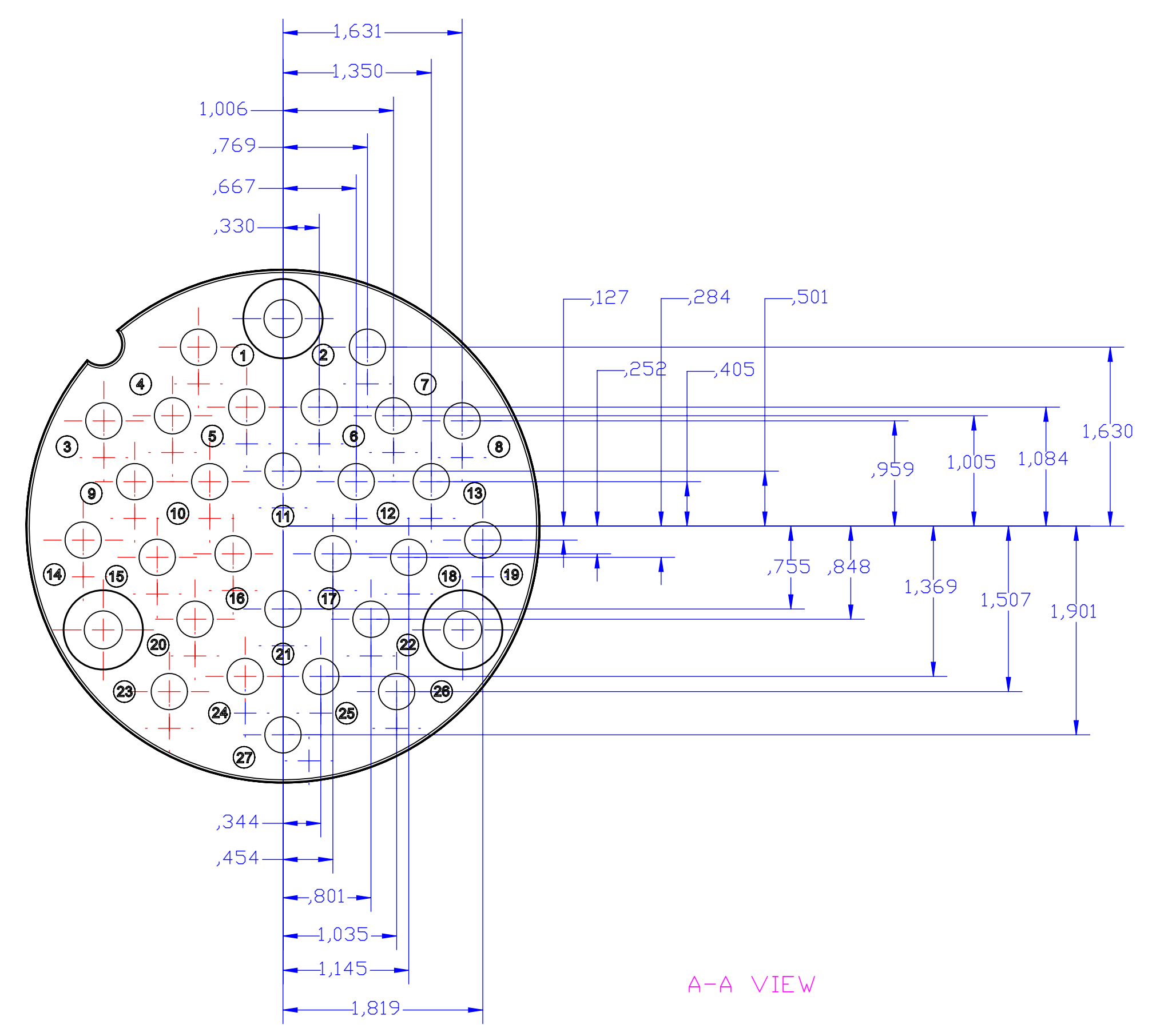


Vue isométrique - Echelle 1:2
Isometric view - Scale 1:2

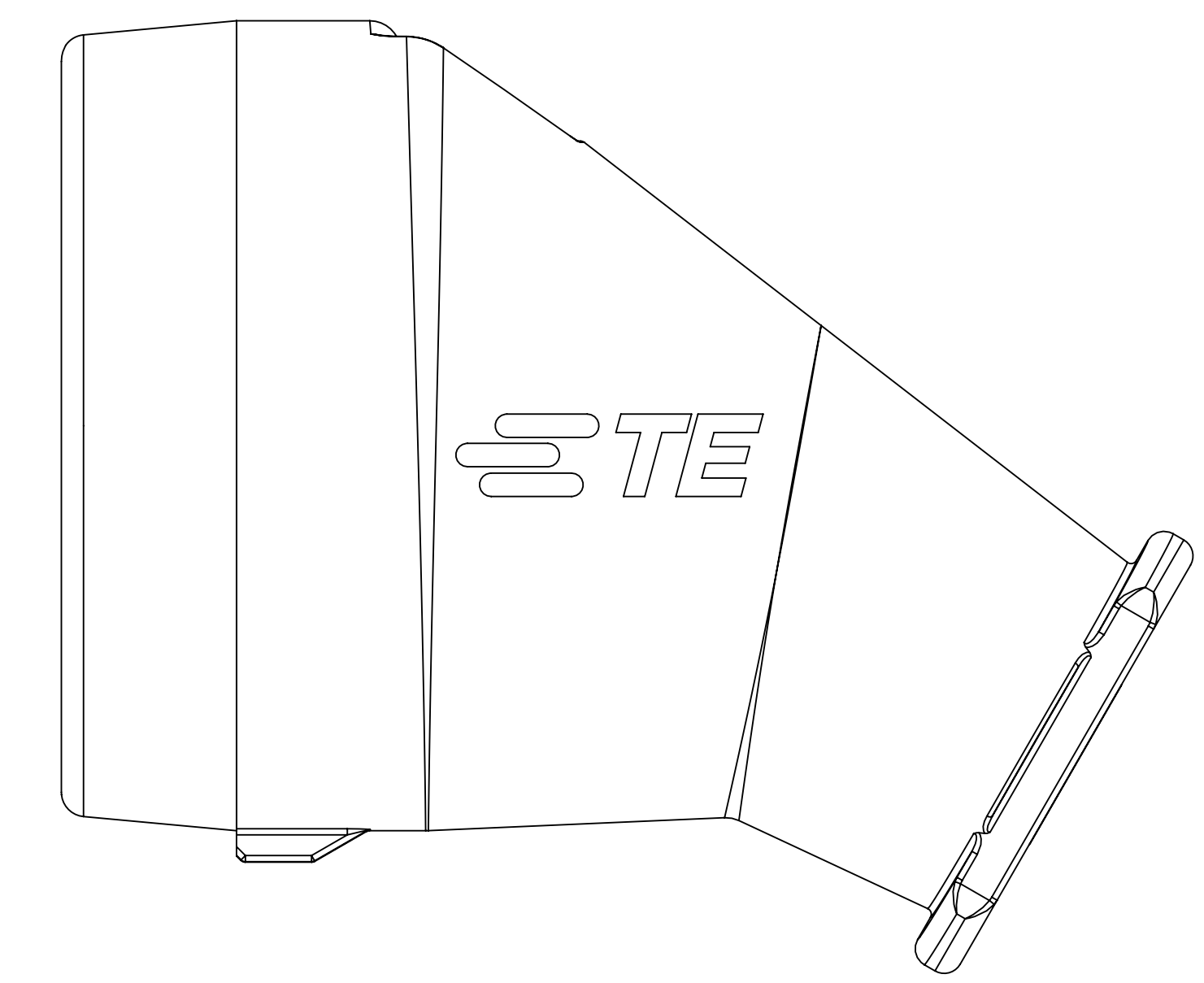
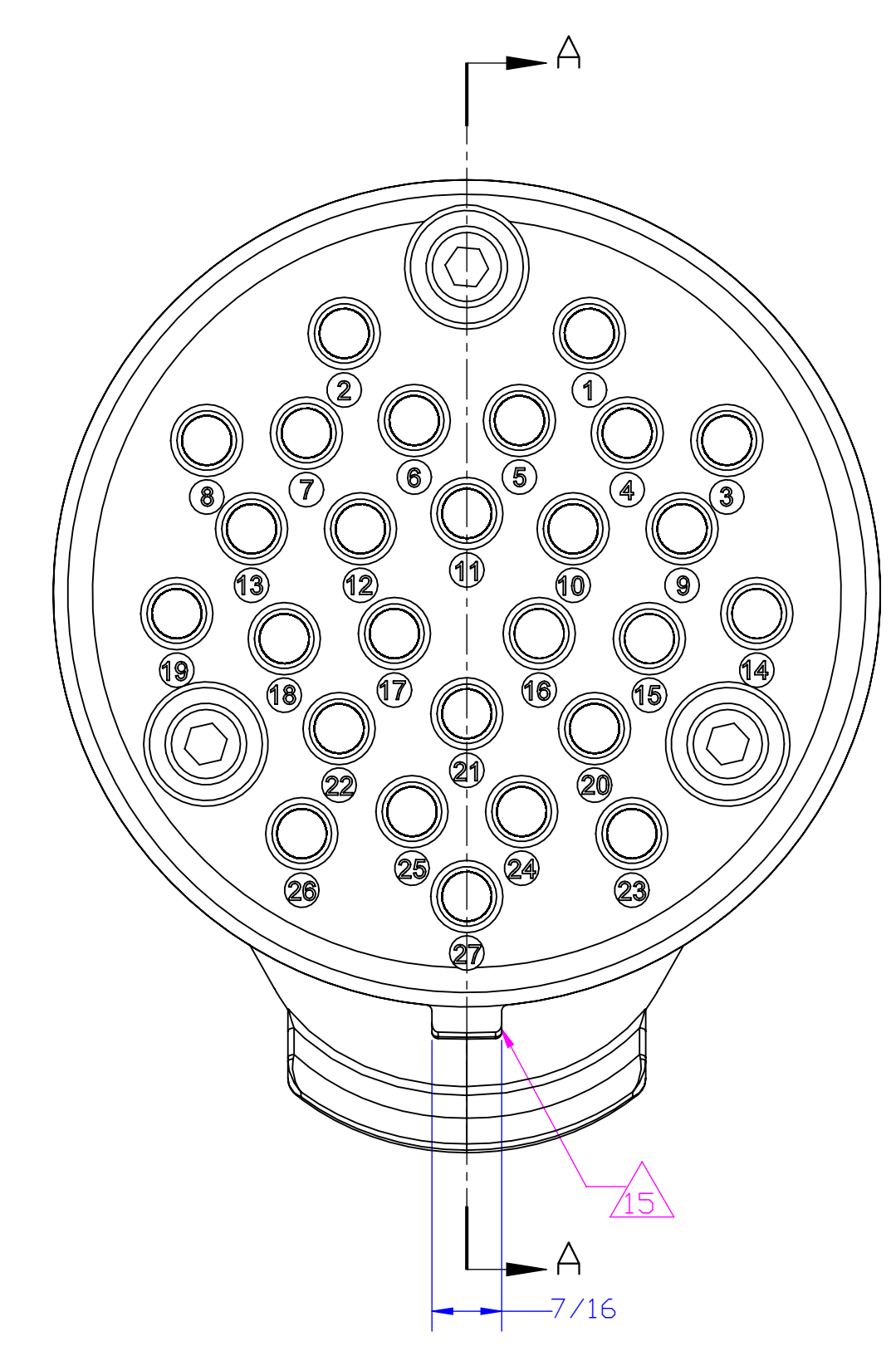
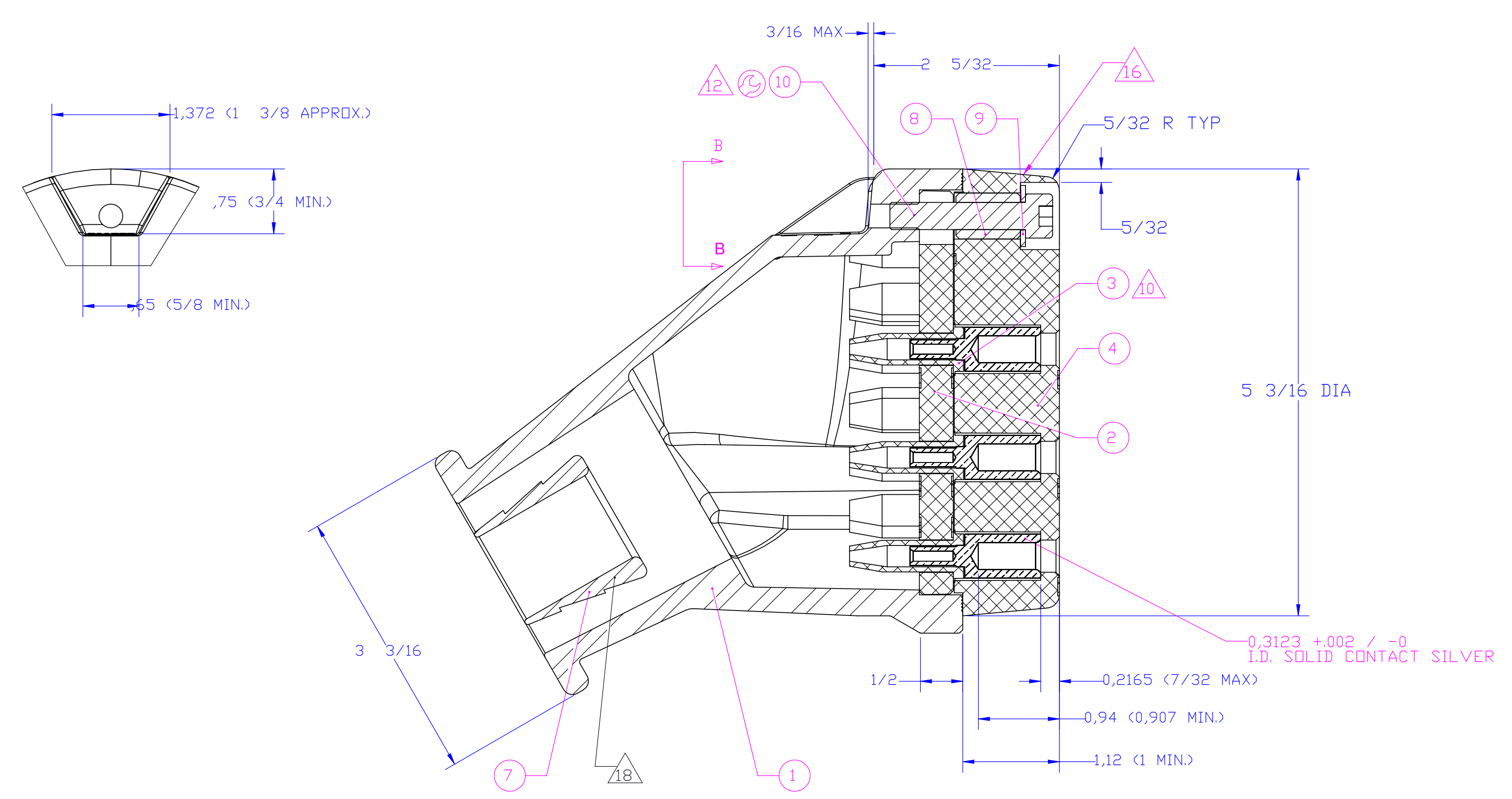


Code	Description	Quantité	Unité	Code	Description	Quantité
	Papier	5		YSPEC-408-157000-2	Instruction de montage	13
					Mounting instruction	
					Sachet déshydratant	12
					Deshydrating bag	
	Carton	1,5		0206-0329AS	Boîte en carton	11
	Carton	60		Y00000-0206-0217AS	Carton box	
	Inox	23,2		3 CHCM08x40-1	Vis CHC	10
	Stainless steel	2,56		3 MU-08-1	Rondelle plate	9
	Stainless steel	1,72		3 1504-0030U4	Entretien	8
	Stainless steel	1,72		3 1504-0030U4	Spacer	
	Aluminium	15,26		1 YA-UC-212590A-JQ00	Cône de serrage	7
	Aluminium	15,26		1 YA-UC-212590A-JQ00	Clamping cone	
	Laiton	59,74		1 YS-UC-212601A-AA1A	KIT de 3 contacts femelle AWG 10	6
	Brass	59,74		1 YS-UC-212601A-AA1A	KIT with 3 female contacts 10 AWG	
	Laiton	473,57		1 YS-UC-212602A-AA1A	KIT de 24 contacts femelle AWG 12 et 14	5
	Brass	473,57		1 YS-UC-212602A-AA1A	KIT with 24 female contacts 12 and 14 AWG	
	Neoprène	258,63		1 YK-UC-211288A-YU00	Isolant femelle	4
	Neoprene	258,63		1 YK-UC-211288A-YU00	Female insert	
	Neoprène	1,4		27 1504-0008A4	Manchon	3
	Neoprene	1,4		27 1504-0008A4	Sleeve	
	Polycarbonate	124,8		1 YK-UC-211276A-QK00	Isolant mixte	2
	Polycarbonate	124,8		1 YK-UC-211276A-QK00	Mixed insulator	
	ALUMINIUM	1037,57		1 YF-UC-211290A-JG04	Corps de fiche - position 0	1
	Aluminium	1037,57		1 YF-UC-211290A-JG04	Plug body - position 0	
Observations	Fiche matière				Désignation	REP
Remarks	Data sheet				Designation	Item

INSULATOR VIEW
SCALE 1:1



B-B VIEW



Référence commerciale / Commercial reference : 27P-PLU-4-01

THIS DRAWING IS A CONTROLLED DOCUMENT.

DESIGNED BY	28.JUL.2015	M. BONNIN
DRAWN BY	28.JUL.2015	J.F. GALBRAUN
CHECKED BY	28.JUL.2015	M. VIMARD

PROJECT SPEC: 108-157001
APPLICATION SPEC: 408-157000-2
WEIGHT: 4.480 pound
CUSTOMER DRAWING

STE Connectivity
COMMUNICATION COMMUTER PLUG
AC - C1894-212095

Scale: 1:1, Sheet: 1 of 1, Rev: 0