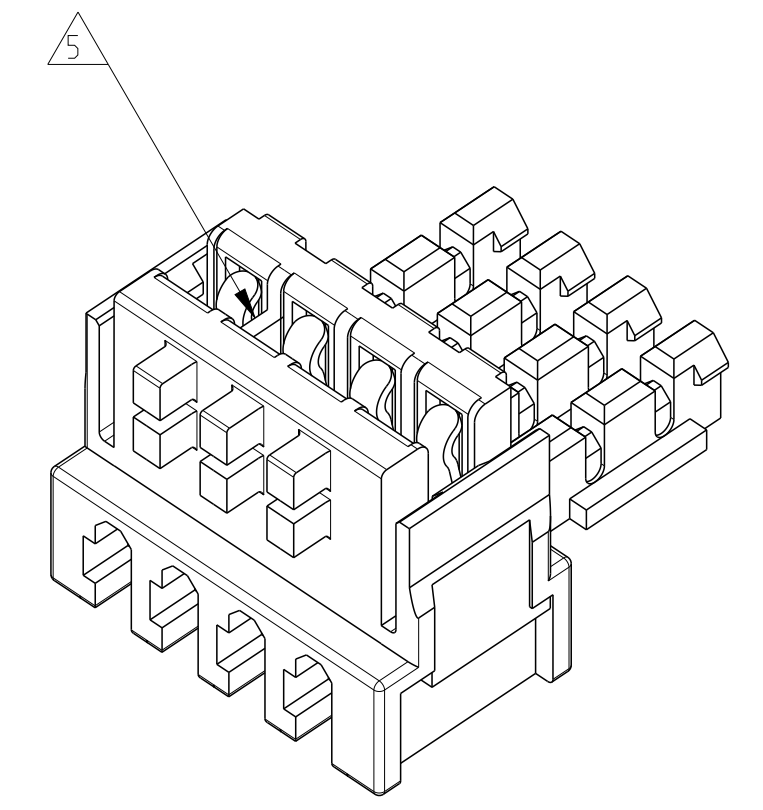
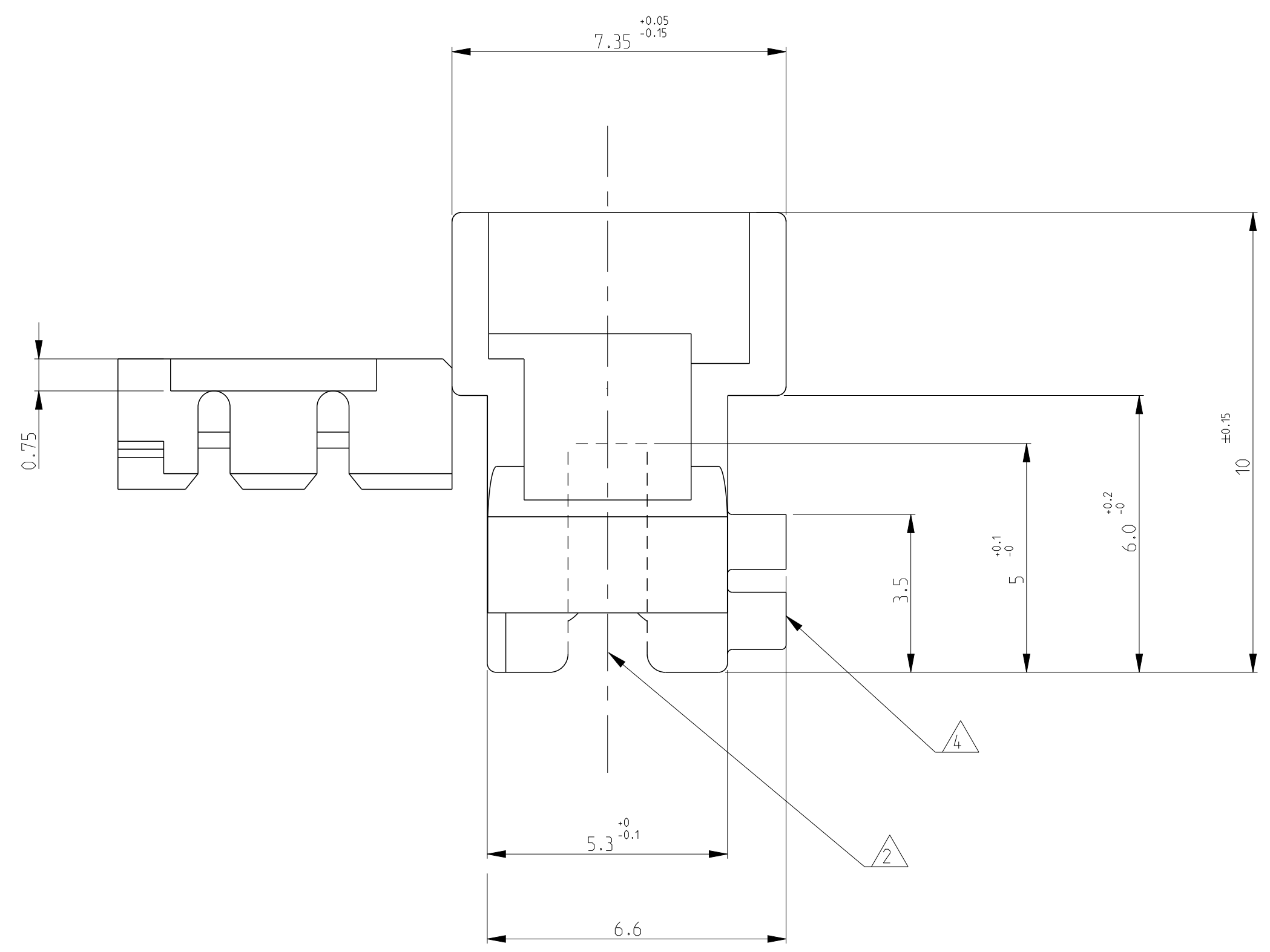
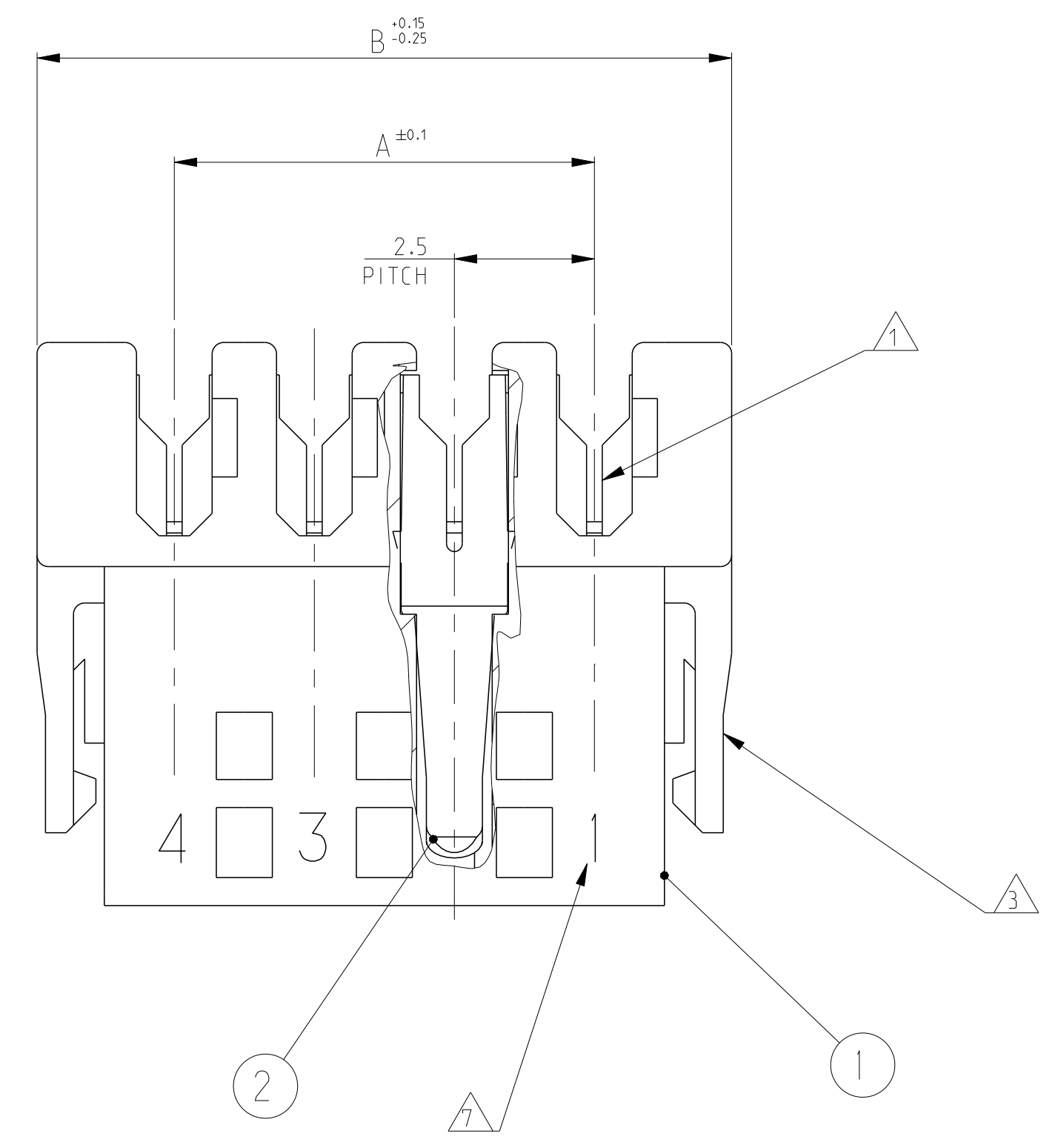
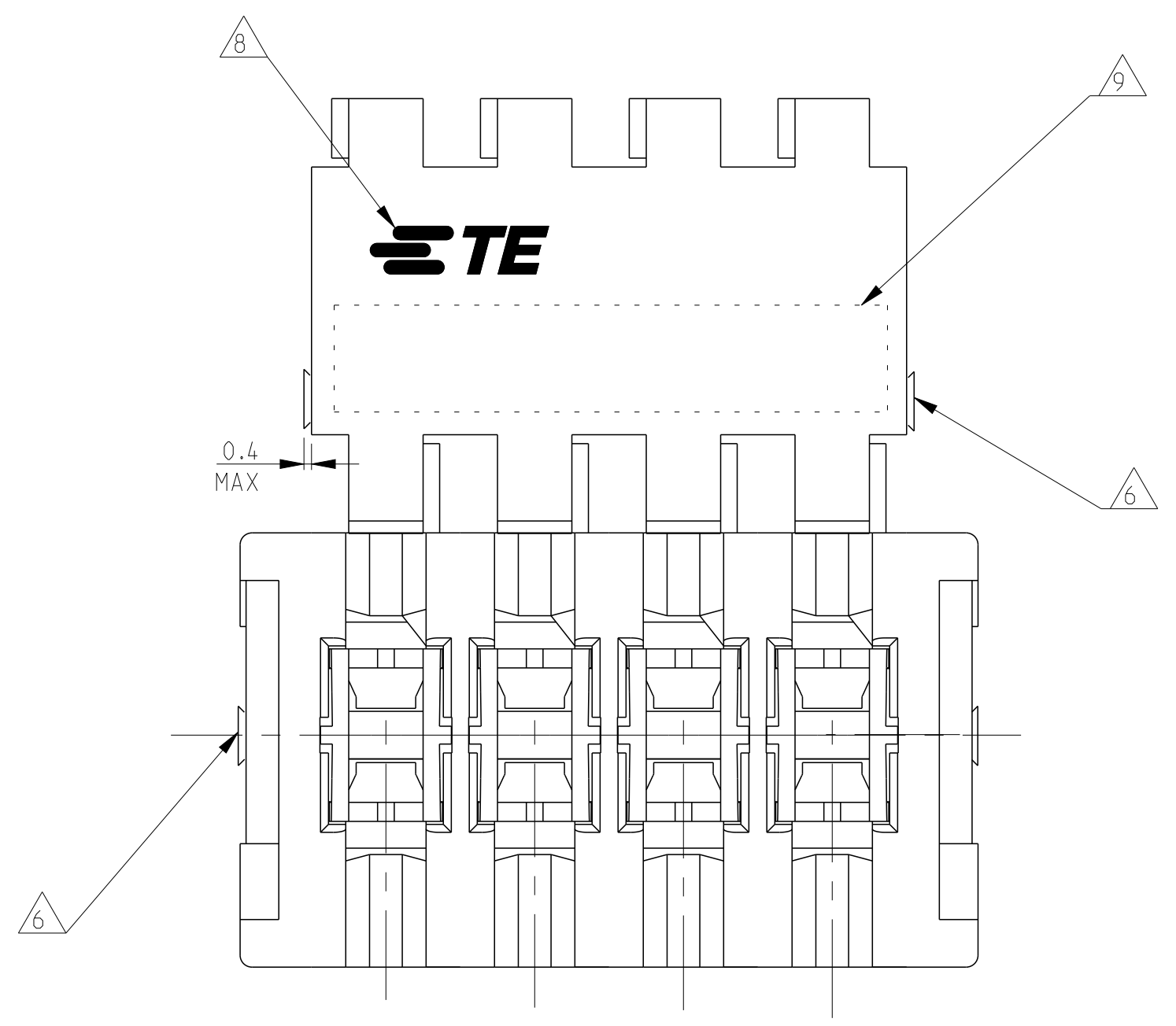


LOC	DIST	REVISIONS					
		P.	LTN.	DESCRIPTION	DATE	DWN.	APVD.
		A17		REVISED PER ECR-15-012073	13AUG2015	NK	W W
		A18		ECR-15-016952	09DEC2015	KD	RR
		A19		ECR-16-016334	18NOV2016	FV	RR



SCALE 5:1



- ① WIRE RANGE : STRANDED 0.22-0.35 mm² (INS. DIA. 1.30±0.1)
- ② MATING PART: P.C.B. EDGE, DOUBLE SIDE, THK 1.5 (COPPER CLADDING INCLUDED)
- ③ SIDE LOCKING DEVICE
- ④ KEYING RIBS TO BE REMOVED BY TERMINATION MACHINE
- ⑤ POLARIZATION RIBS BETWEEN CAVITIES
- ⑥ CUT OFF DIMENSION DUE TO PRODUCTION PROCESS
- ⑦ CIRCUIT No. IDENTIFICATION
- ⑧ TE TRADEMARK (OPTIONAL POSITION)
- ⑨ TAMPOGRAPHIC COLOUR CODE AREA (P/Ns IDENTIFICATION BEFORE CRIMPING AREA)
- ⑩ FOR PCB LAYOUT, SEE PAGES 2-3
FOR CONNECTION VIEW LAYOUT, SEE PAGE 3
- ⑪ NOT YET RELEASED FOR PRODUCTION
- ⑫ NOT DEFINED DURING PRELIMINARY STATUS
- ⑬ PBT GF
- ⑭ PBT GF, GWEPT 750 NO-FLAME, NATURAL

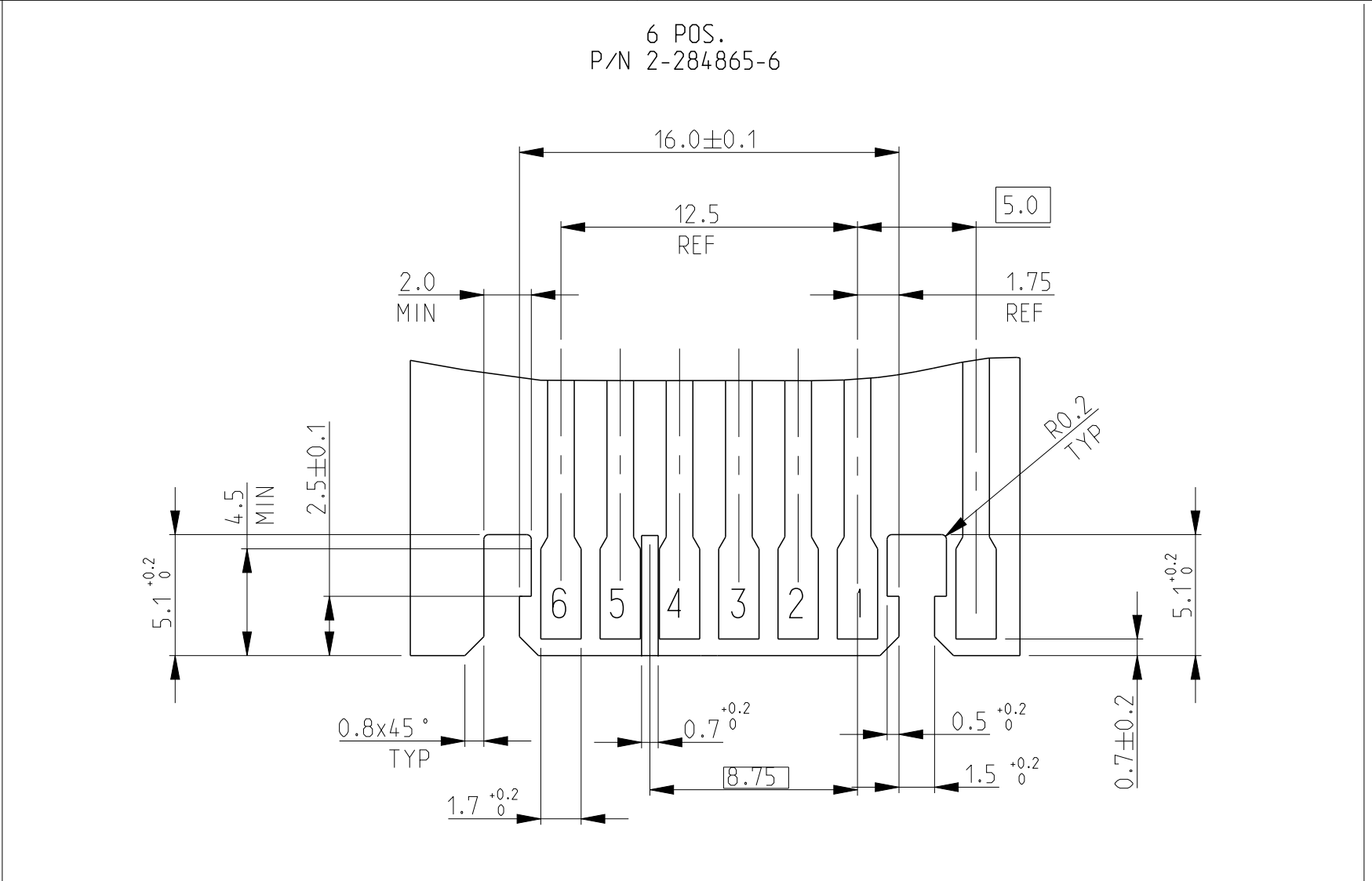
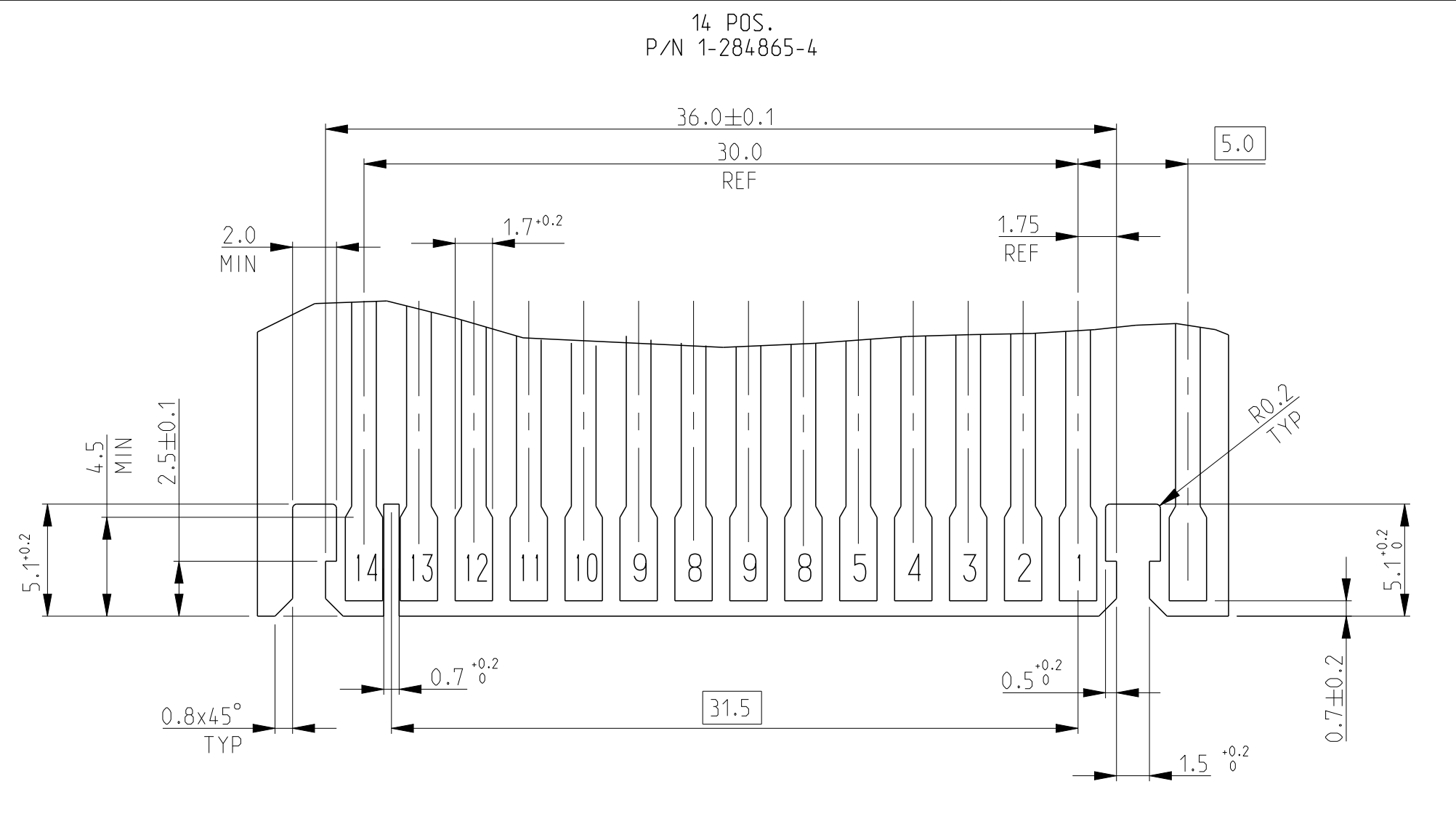
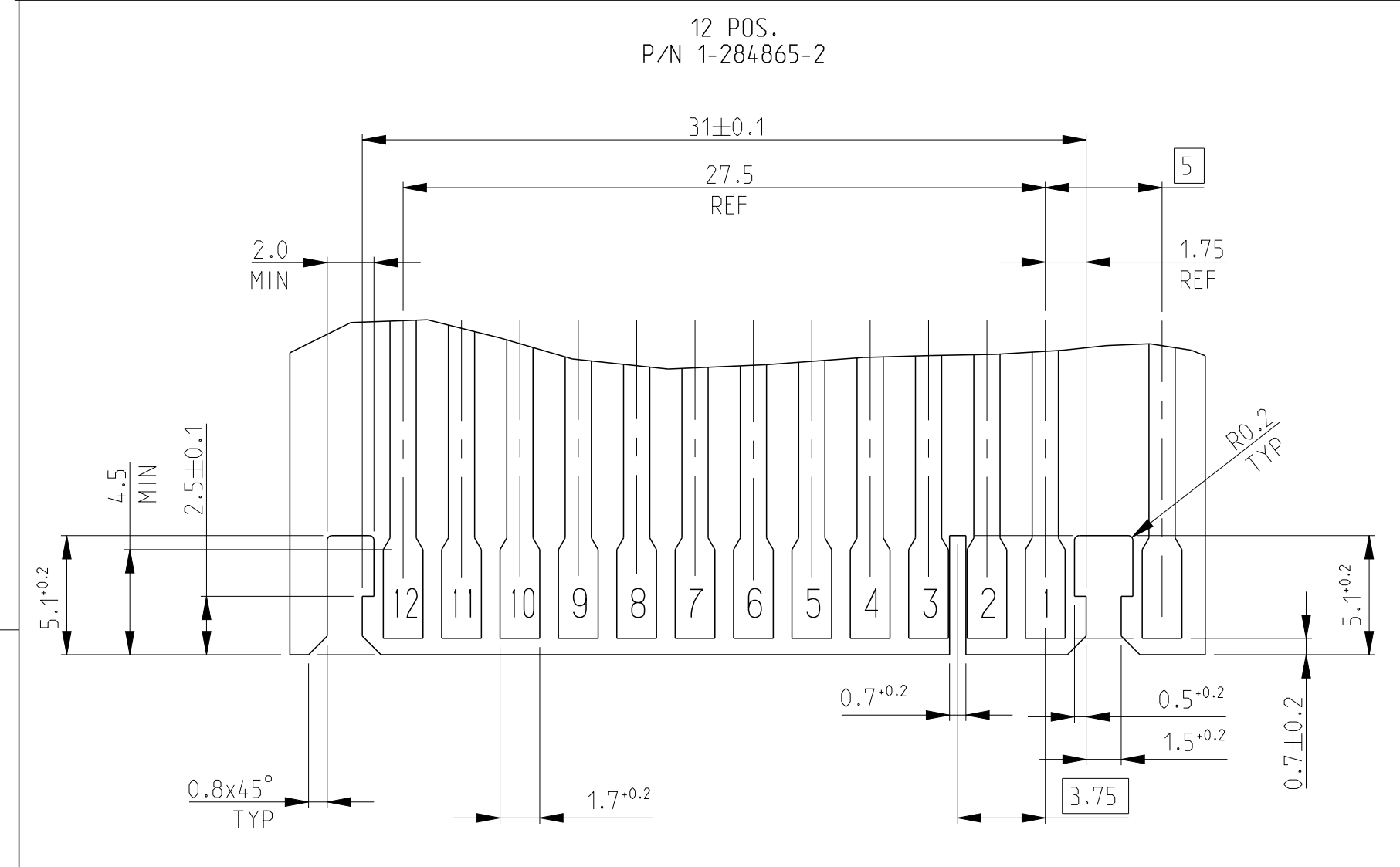
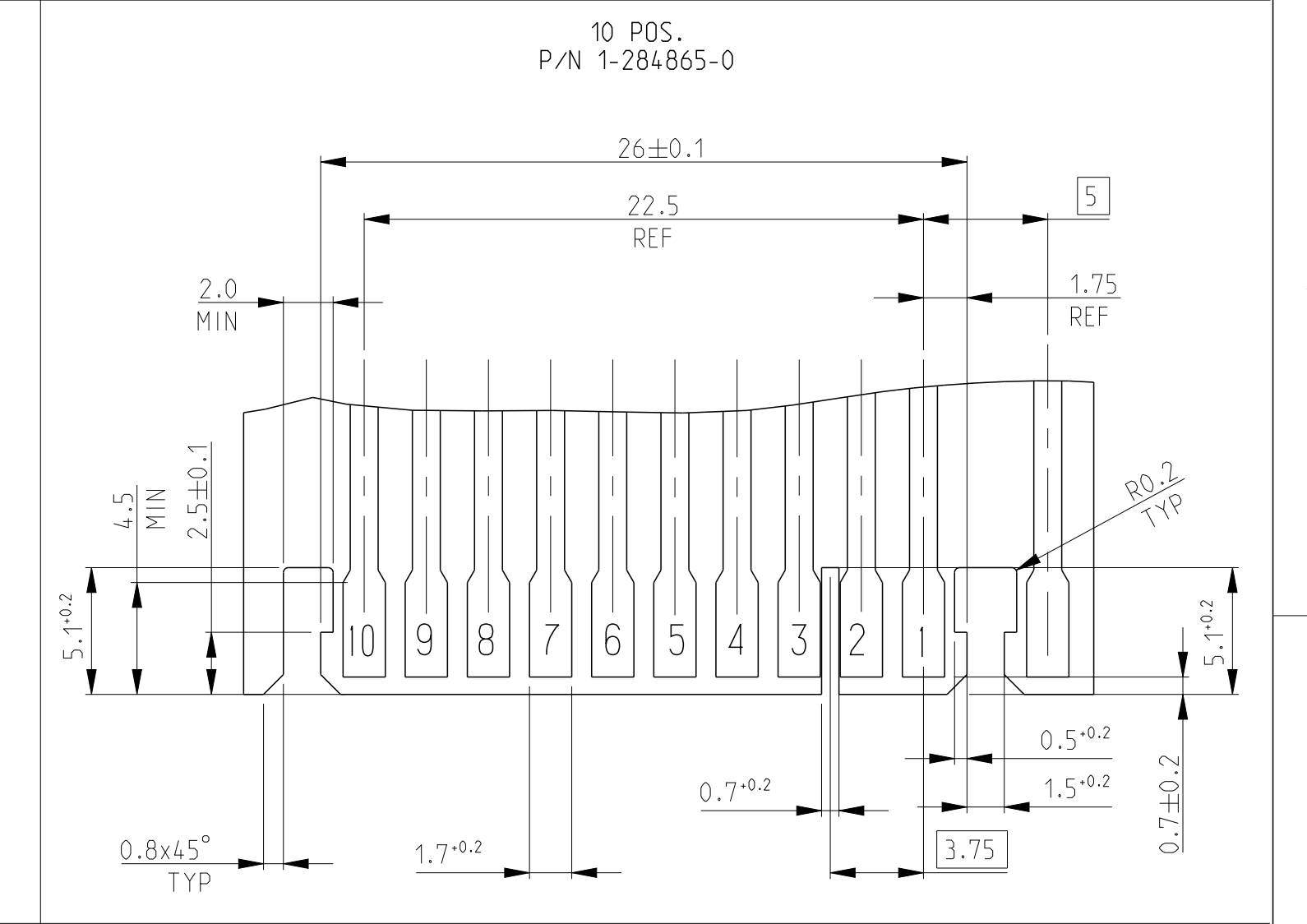
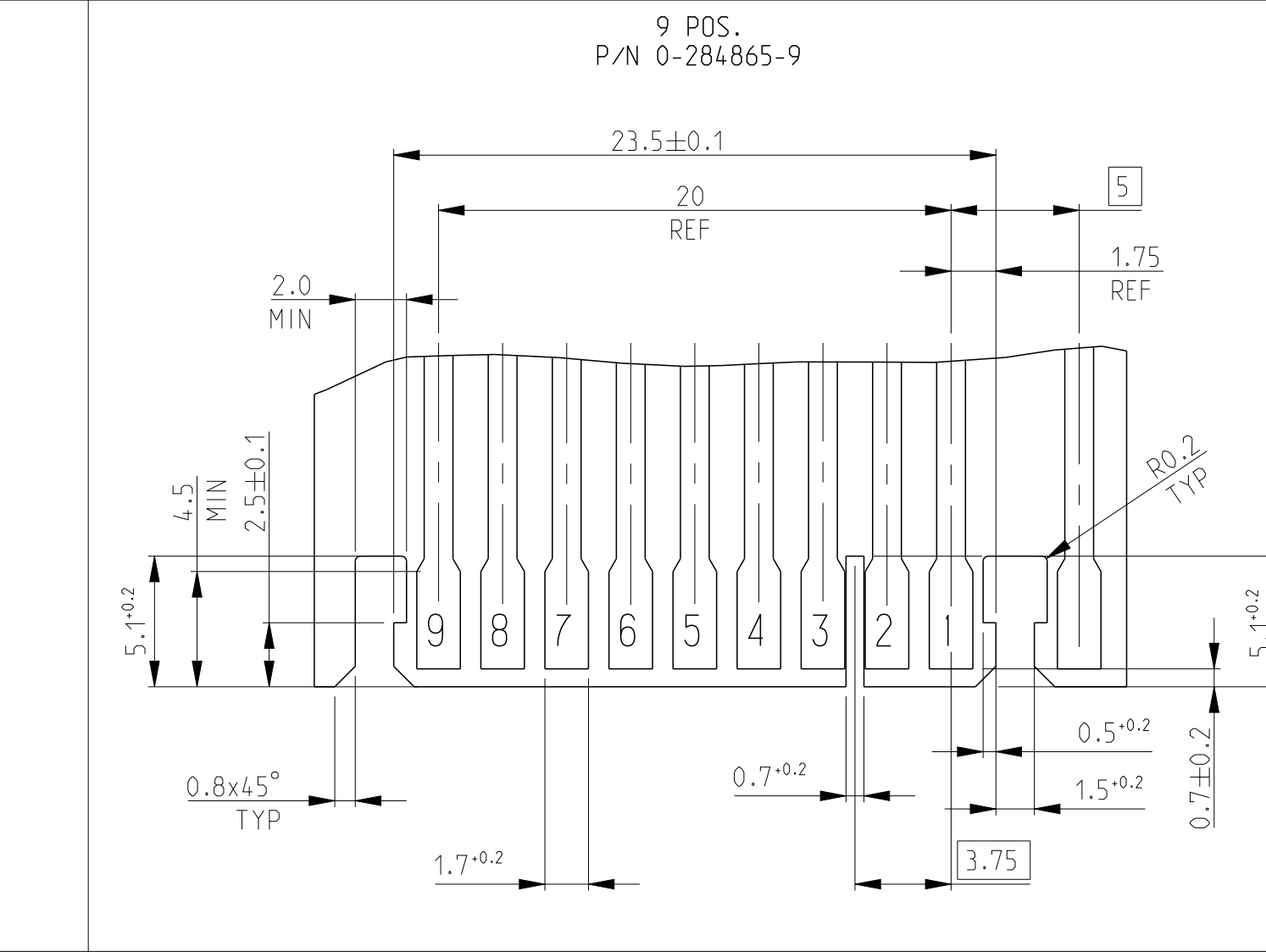
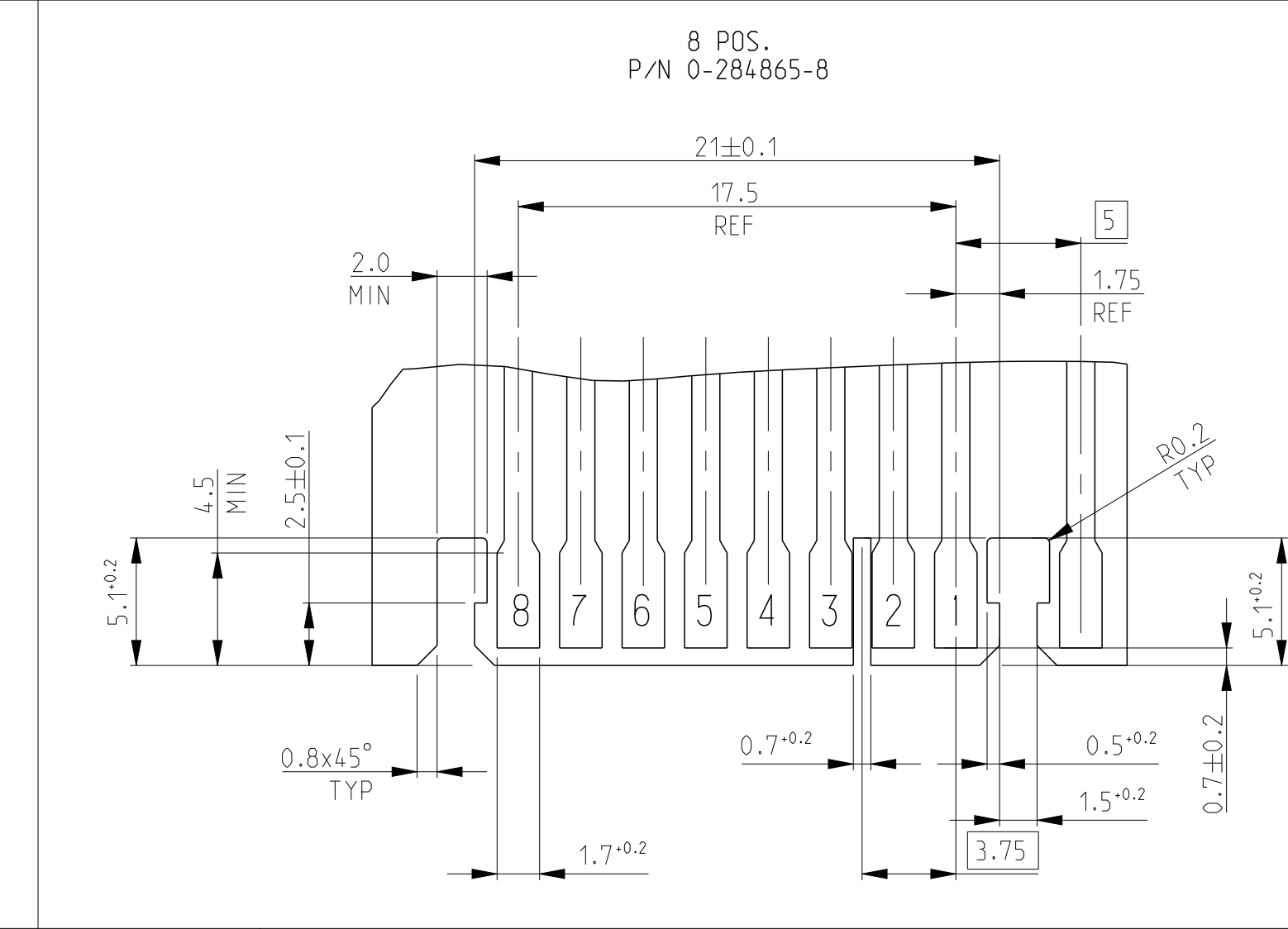
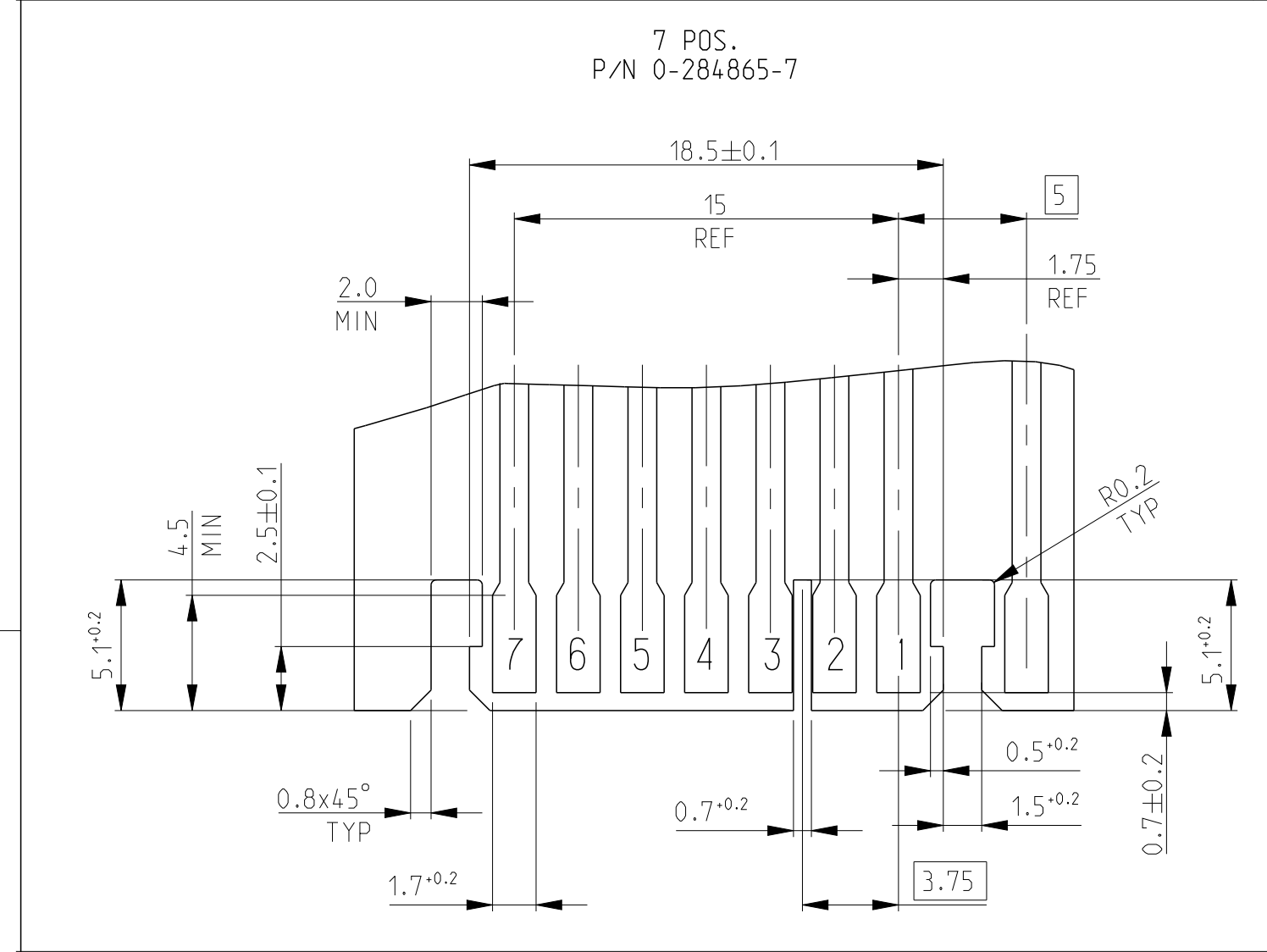
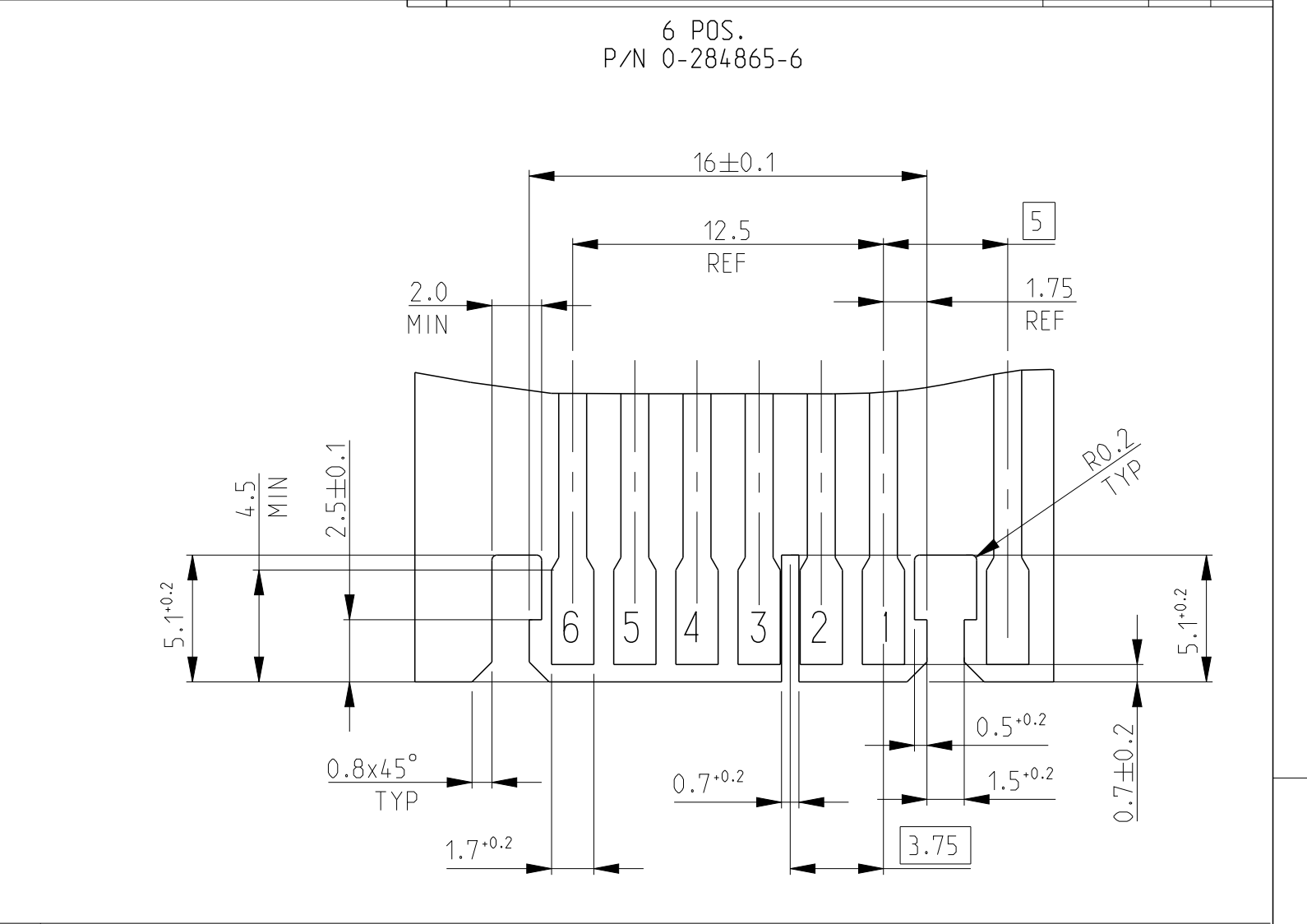
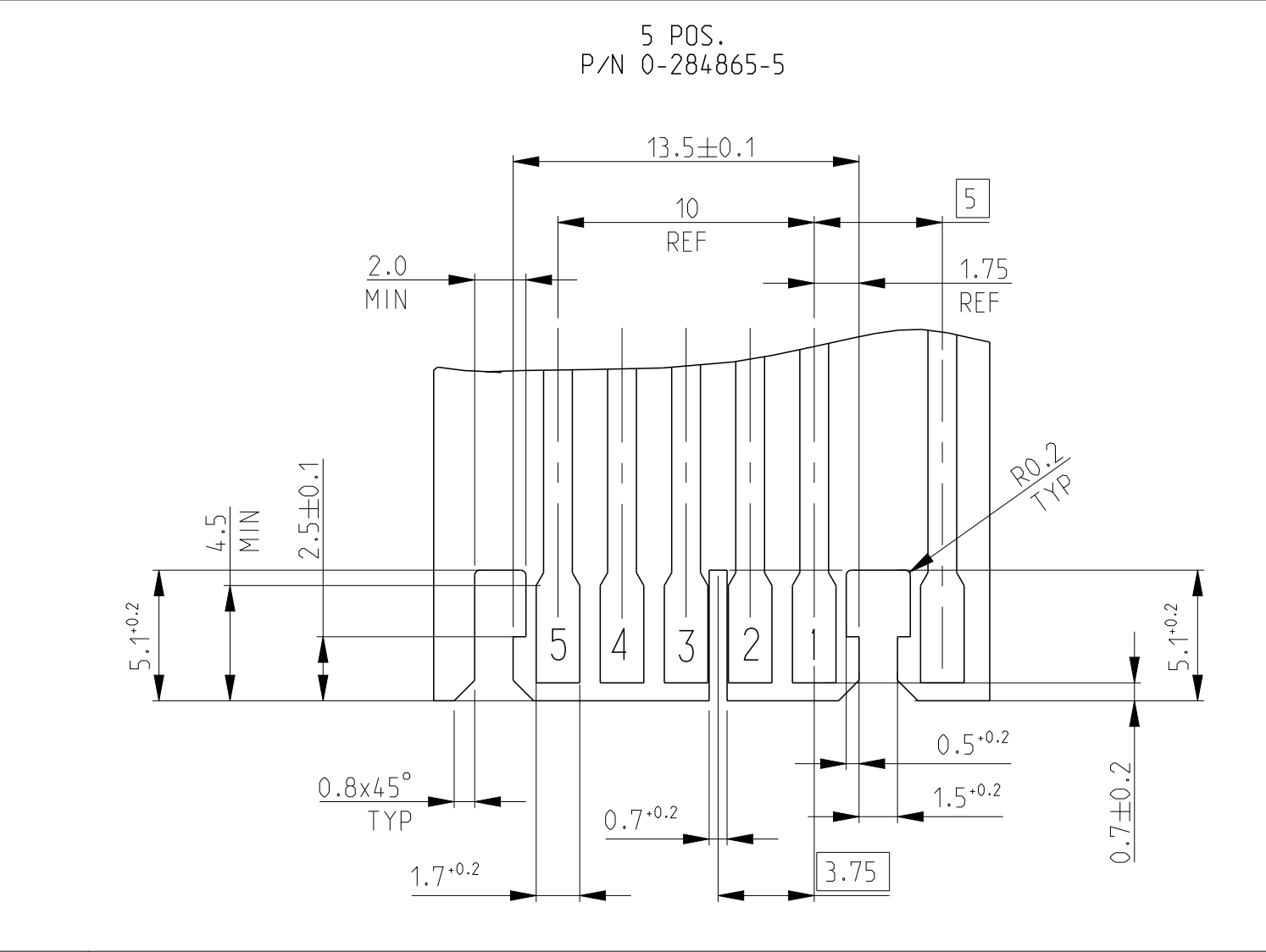
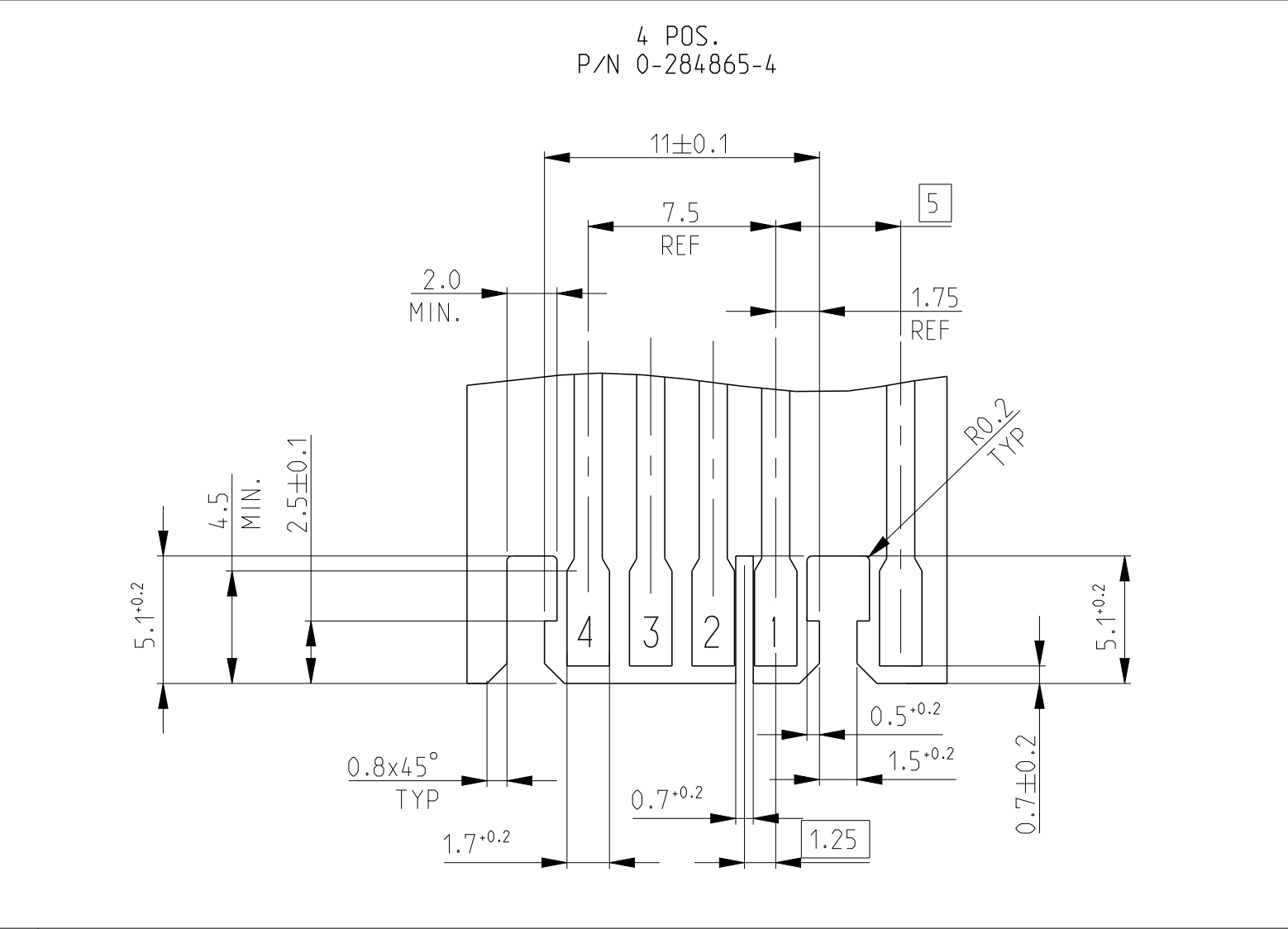
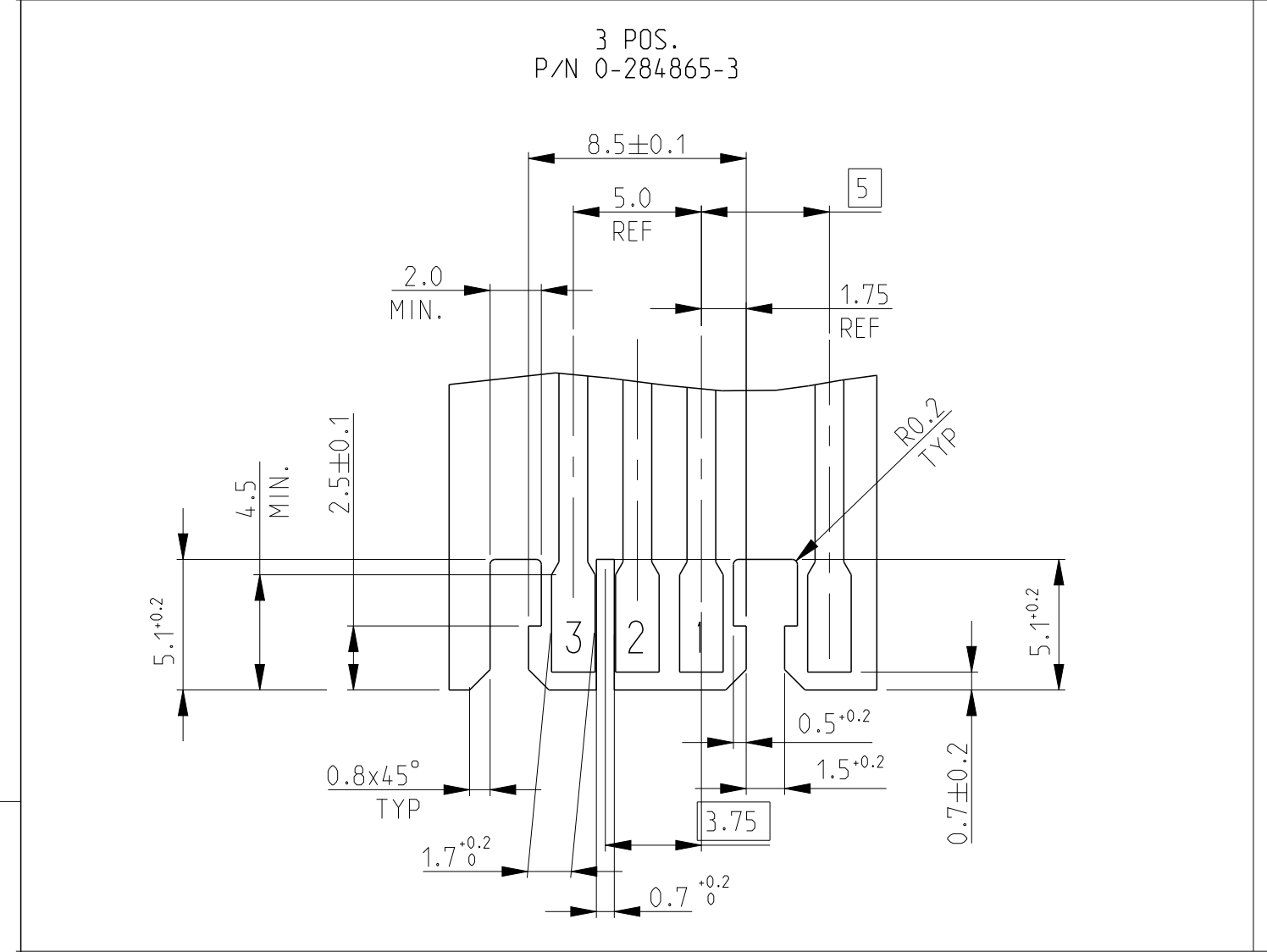
COLOUR CODE	POLARIZ. RIB POS.	HSG POS.	DIM.A	DIM.B	TE P/N	TE P/N
BLACK	13/14	14	32.5	37.4	1-284865-4	2311503-4
RED	11/12	12	27.5	32.4	2-284865-2	1-2311503-2
BLACK	2/3	10	22.5	27.4	1-284865-2	2311503-2
RED	9/10	10	22.5	27.4	2-284865-0	2-2311502-0
BLACK	2/3	9	20.0	24.9	1-284865-0	1-2311502-0
BLACK	2/3	9	20.0	24.9	0-284865-9	2311502-9
RED	3/4	8	17.5	22.4	2-284865-8	1-2311502-8
BLACK	2/3	8	17.5	22.4	0-284865-8	2311502-8
BLACK	2/3	7	15.0	19.9	0-284865-7	2311502-7
-	3/4				5-284865-6	4-2311502-6
ORANGE	5/6				⑪ 4-284865-6	⑪ 3-2311502-6
OBSOLETE BLUE	1/2	6	12.5	17.4	3-284865-6	-
RED	4/5				2-284865-6	1-2311502-6
BLACK	2/3				0-284865-6	2311502-6
GREY	1/2				3-284865-5	2-2311502-5
RED	3/4	5	10.0	14.9	2-284865-5	1-2311502-5
BLACK	2/3	5	10.0	14.9	0-284865-5	2311502-5
RED	3/4				3-284865-4	1-2311502-4
OBSOLETE RED	N/A				2-284865-4	-
BLACK	1/2	4	7.5	12.4	0-284865-4	2311502-4
RED	1/2	3	5.0	9.9	2-284865-3	1-2311502-6
BLACK	2/3				0-284865-3	2311502-3

P/N 0-284865-4 AS SHOWN

-		-		THIS DRAWING IS A CONTROLLED DOCUMENT.		DWN. R. FABRIS 03JUL2002		TE Connectivity	
SEE TABLE	PH. BRONZE, TIN PLATED	IDC RECEPTACLE CONTACT	2	DIMENSIONS: mm	TOLERANCES UNLESS OTHERWISE SPECIFIED:	APVD: ST TURCO	NAME: DUOPLUG 2.5 FEMALE CONN., SIDE LOCKING KEYPED (FULLY LOADED)	SIZE: A1	RESTRICTED TO: -
Q.TY	MATERIAL	DESCRIPTION	ITEM	0 PLC ±0.2 1 PLC ±0.2 2 PLC ±0.2 3 PLC ±0.2 4 PLC ±0.2 ANGLES ±1° FINISH SEE TABLE		108-20238	APPLICATION SPEC	116-18049-1	Customer Drawing
1	REVISIONE DELL'ASSEMBLATO (REVISION OF EACH ASSY NO)			MATERIAL SEE TABLE		116-18049-1	WEIGHT -	SCALE 10:1	SHEET 1 OF 4
ELENCO DEI COMPONENTI (PARTS LIST)				SEE TABLE		C=284865		REV. A19	

PCB LAYOUT -Soldering side-
 (SCALE 4:1)

LOC		DIST		REVISIONS			
				DESCRIPTION	DATE	OWN	APVD
				SEE SHEET 1			



THIS DRAWING IS A CONTROLLED DOCUMENT. OWN: R. FABRIS 03JUL2002
 DIMENSIONS: mm TOLERANCES UNLESS OTHERWISE SPECIFIED:
 0 PLC # # # # #
 1 PLC # # # # #
 2 PLC # # # # #
 3 PLC # # # # #
 4 PLC # # # # #
 ANGLES # # # # #
 MATERIAL: SEE TABLE FINISH: SEE TABLE
 CUSTOMER DRAWING

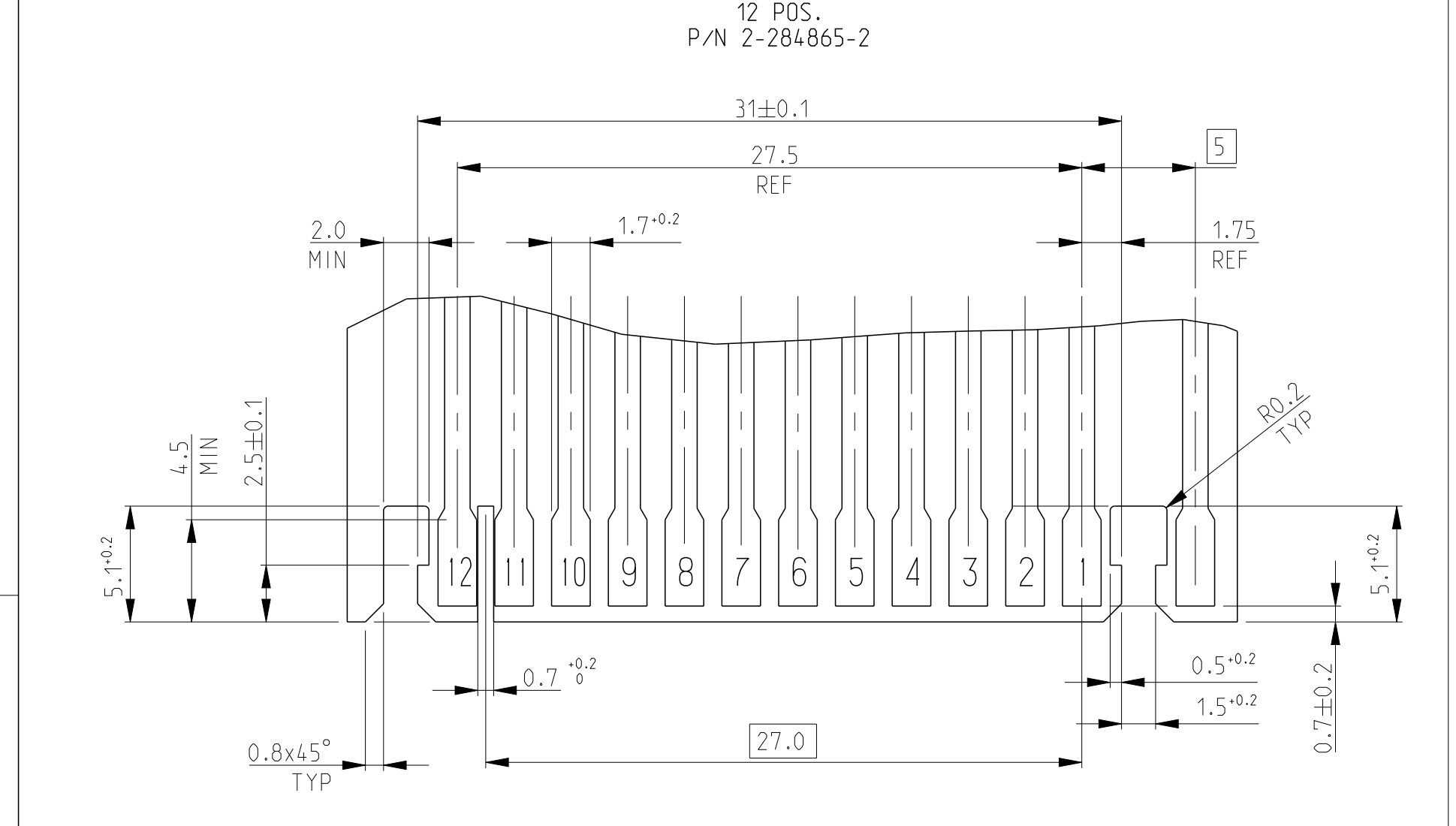
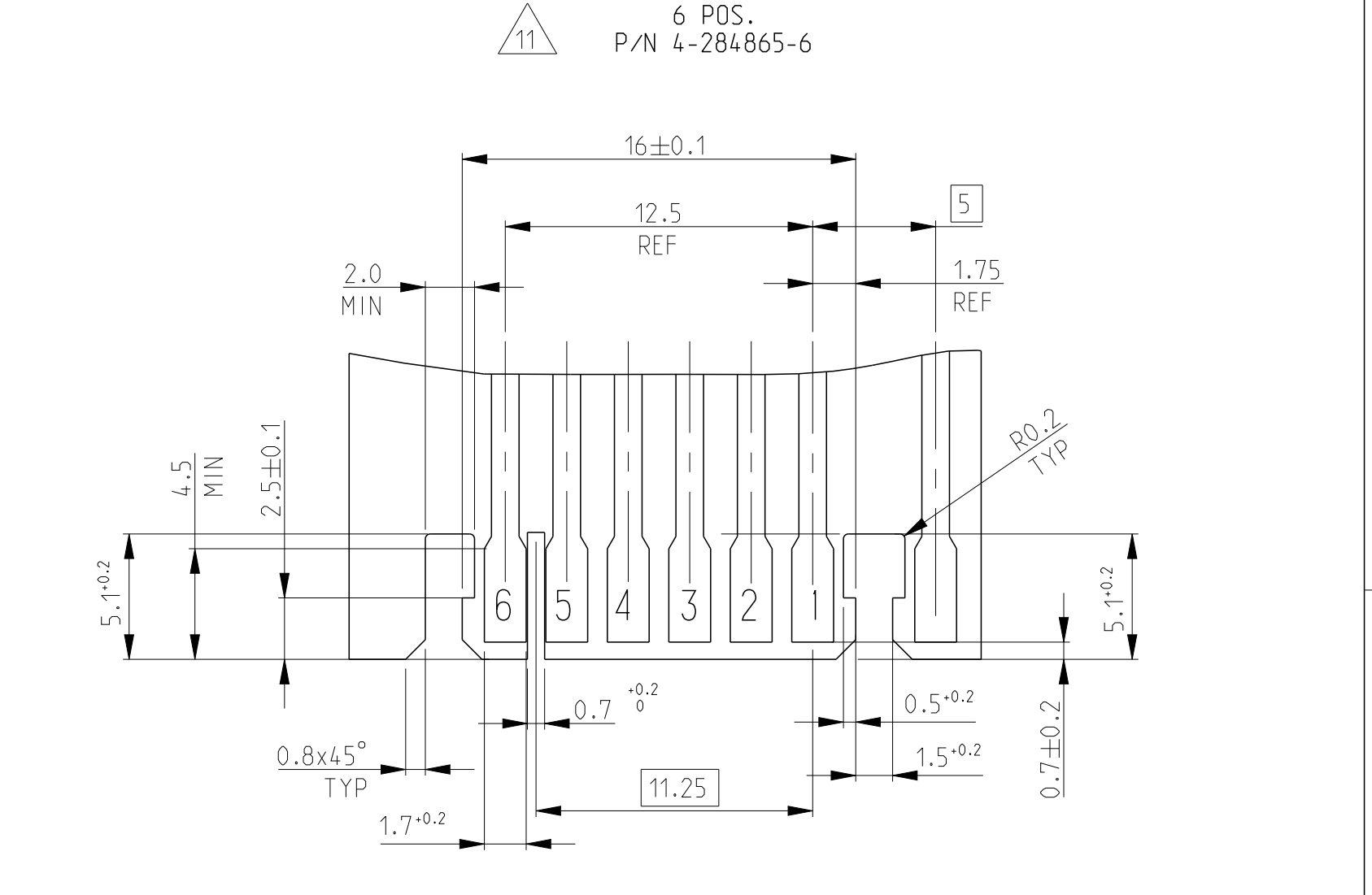
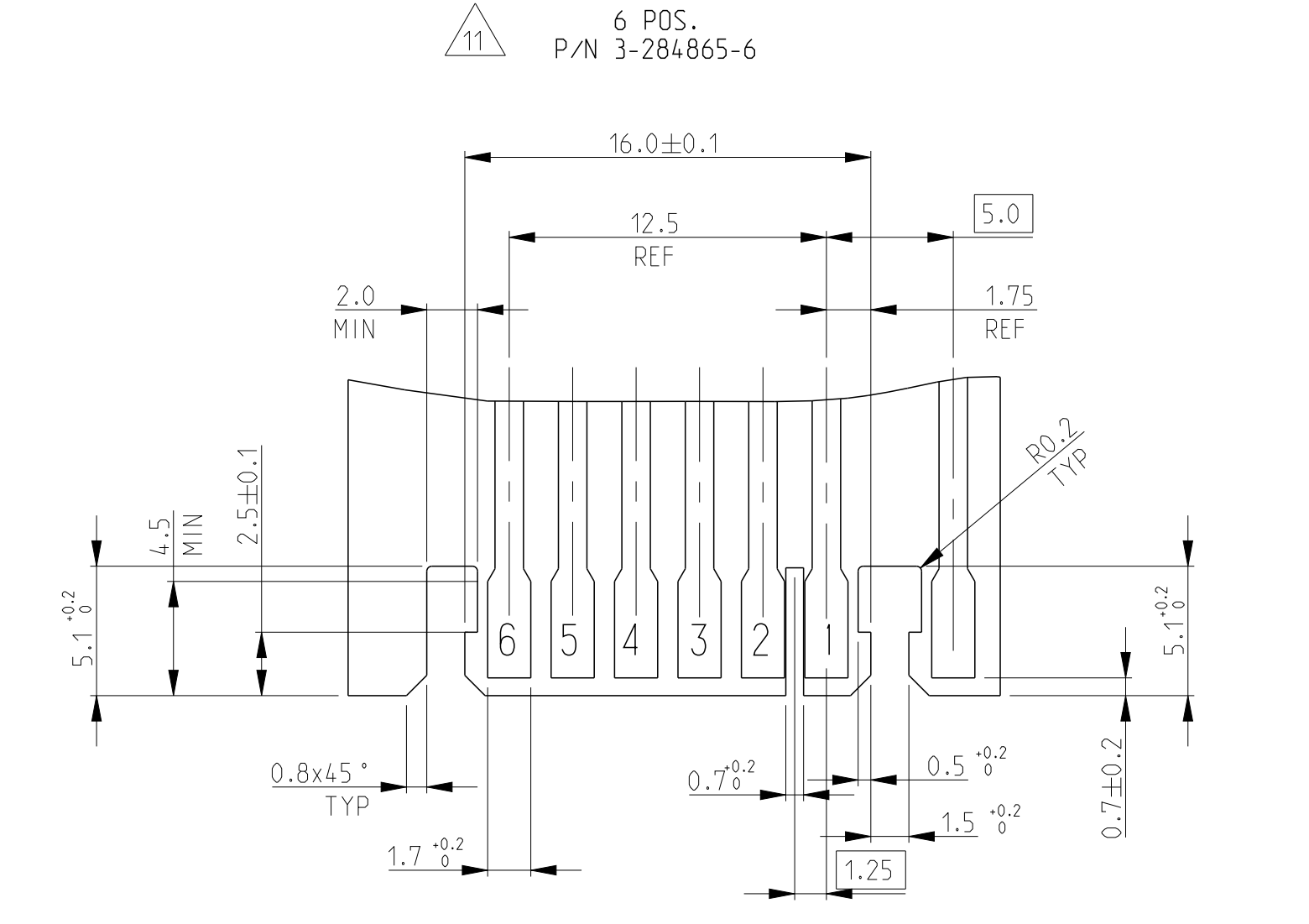
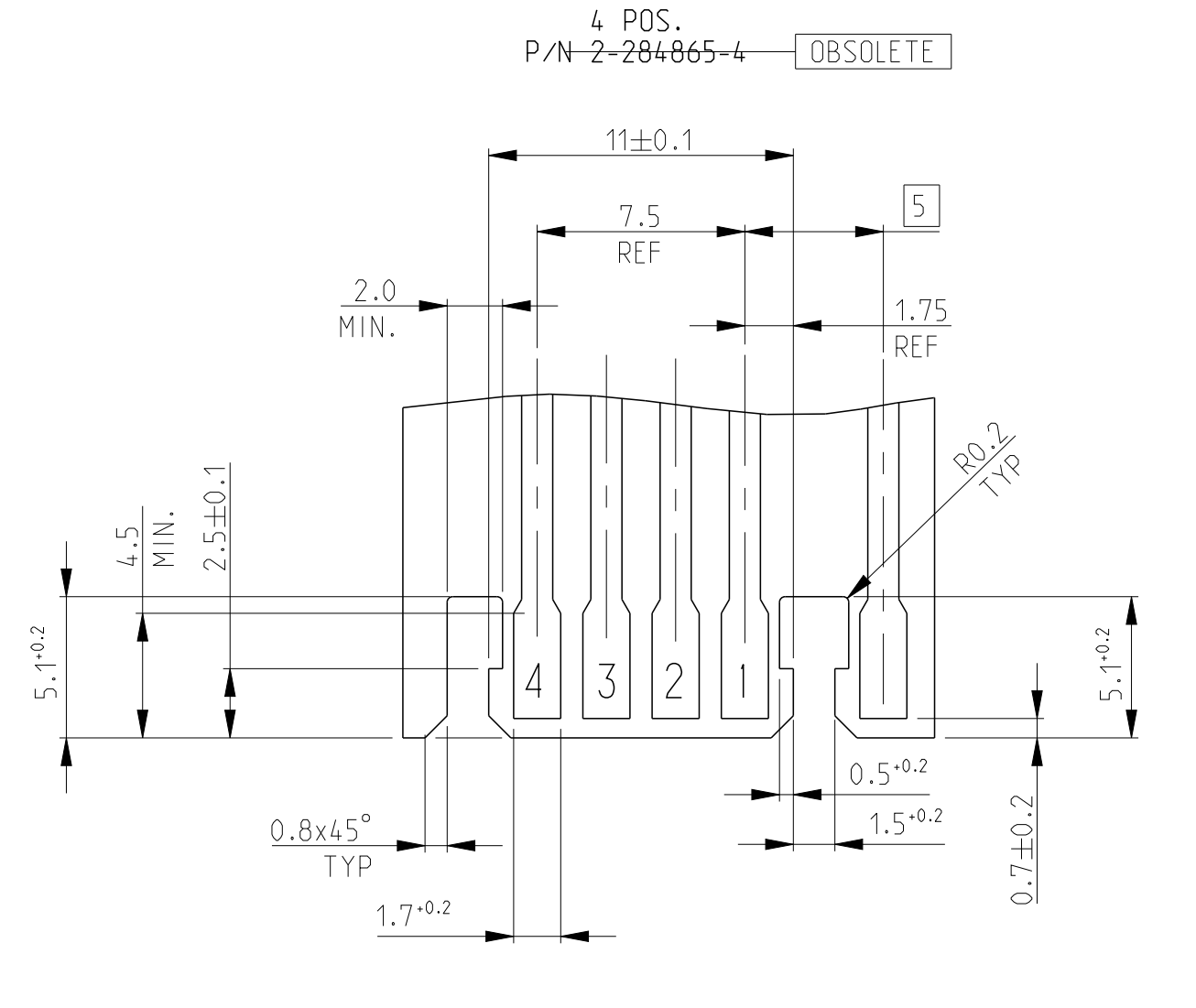
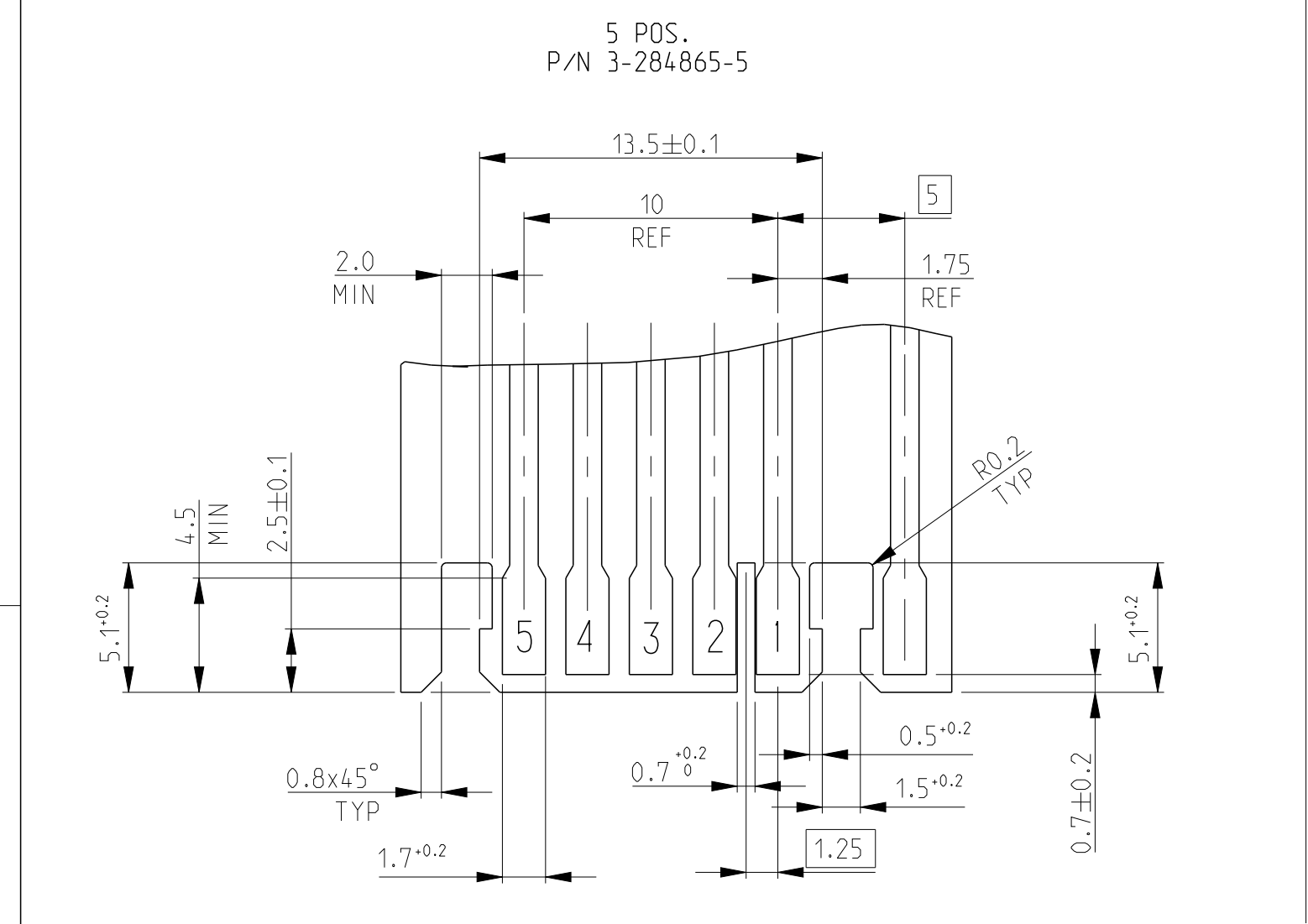
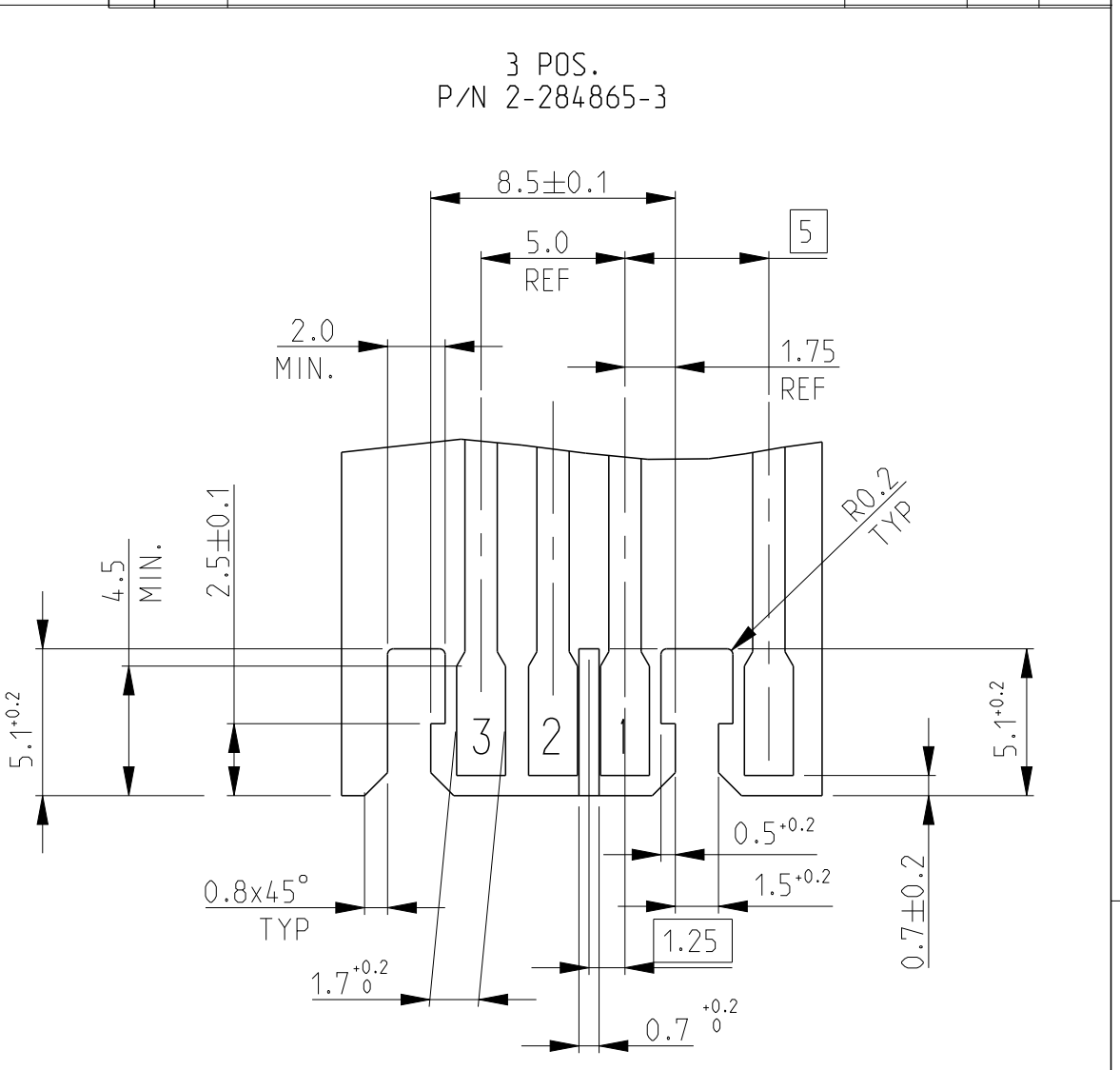
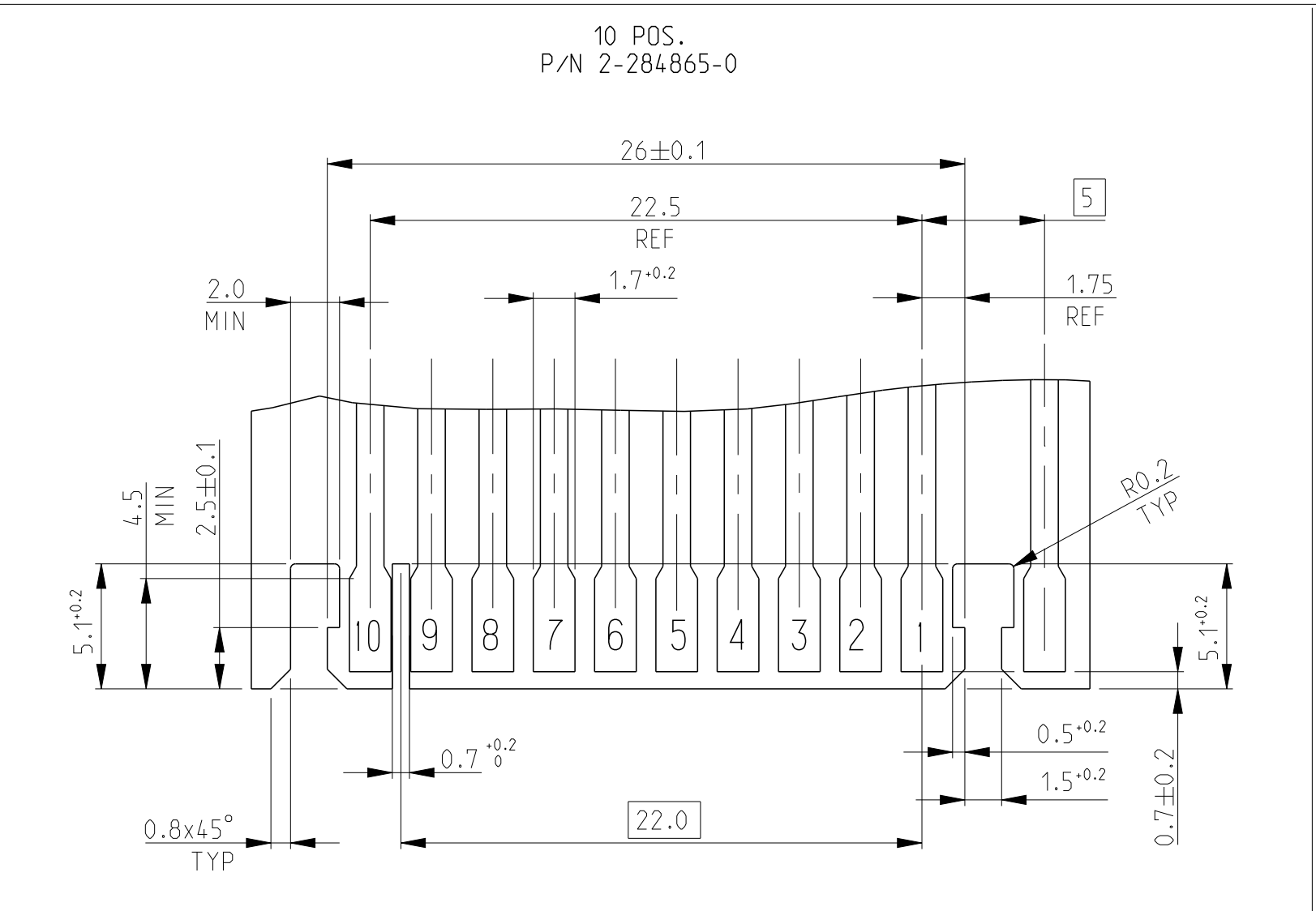
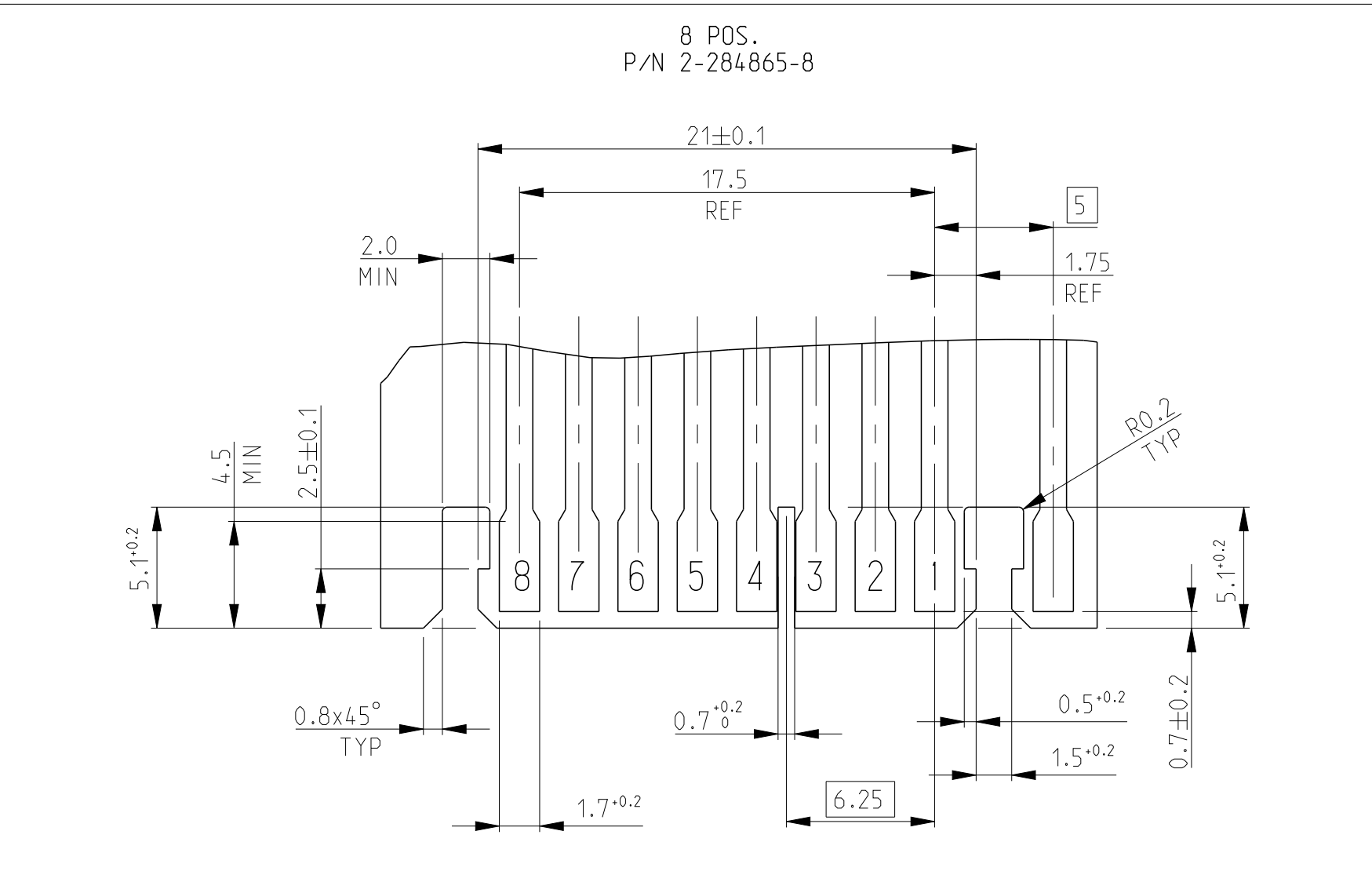
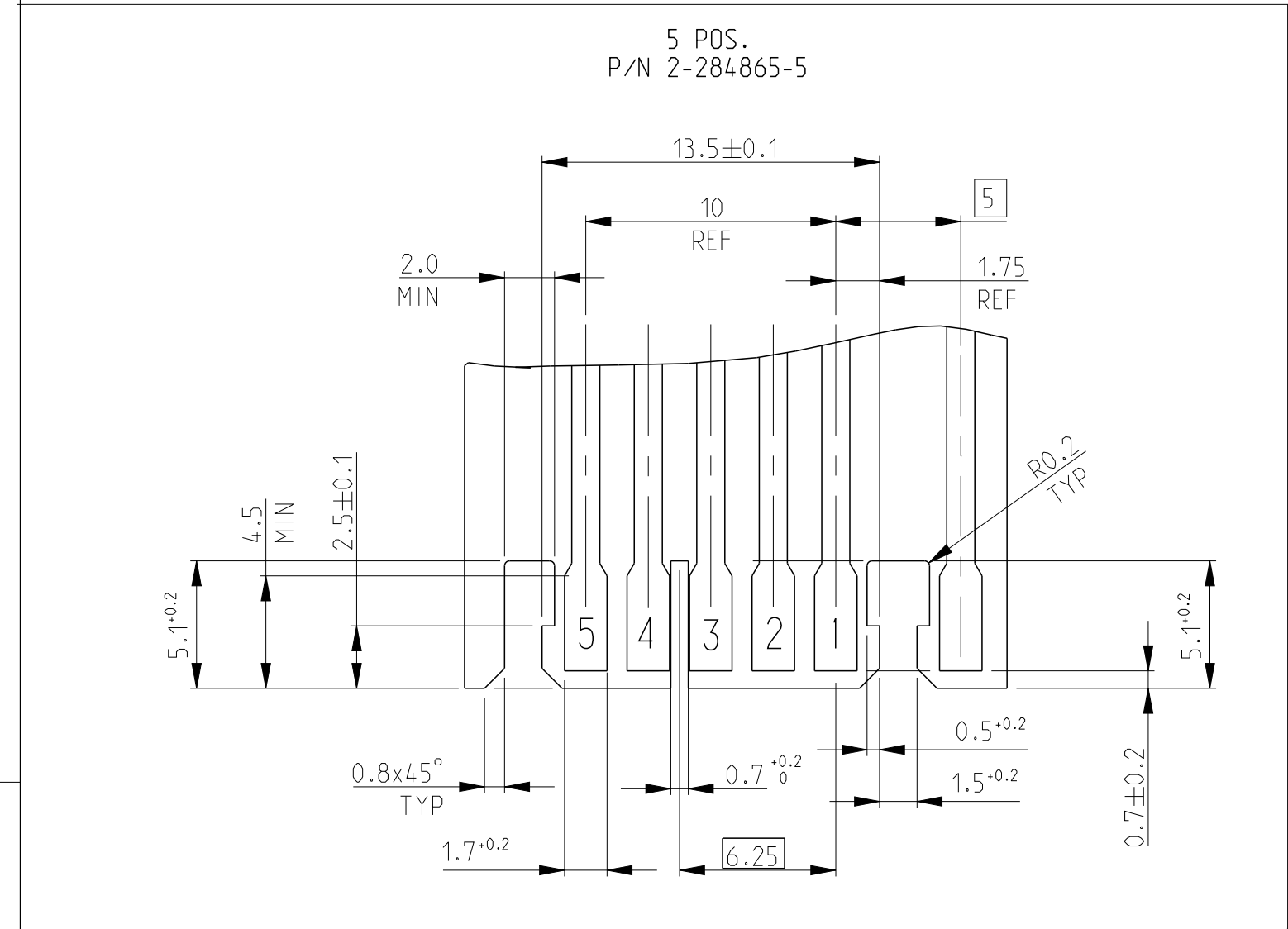
NAME	DUOPLUG 2.5 FEMALE CONN., SIDE LOCKING KEYPED (FULLY LOADED)
PRODUCT SPEC	108-20238
APPLICATION SPEC	116-18049-1
SIZE	A1
CAGE CODE	00779
DRAWING NO	C=284865
RESTRICTED TO	
SCALE	2:1
SHEET	2 OF 4
REV	A19

STE TE Connectivity

LOC	DIST	REV	DESCRIPTION	DATE	OWN	APPV
-	-	1	SEE SHEET 1	-	-	-

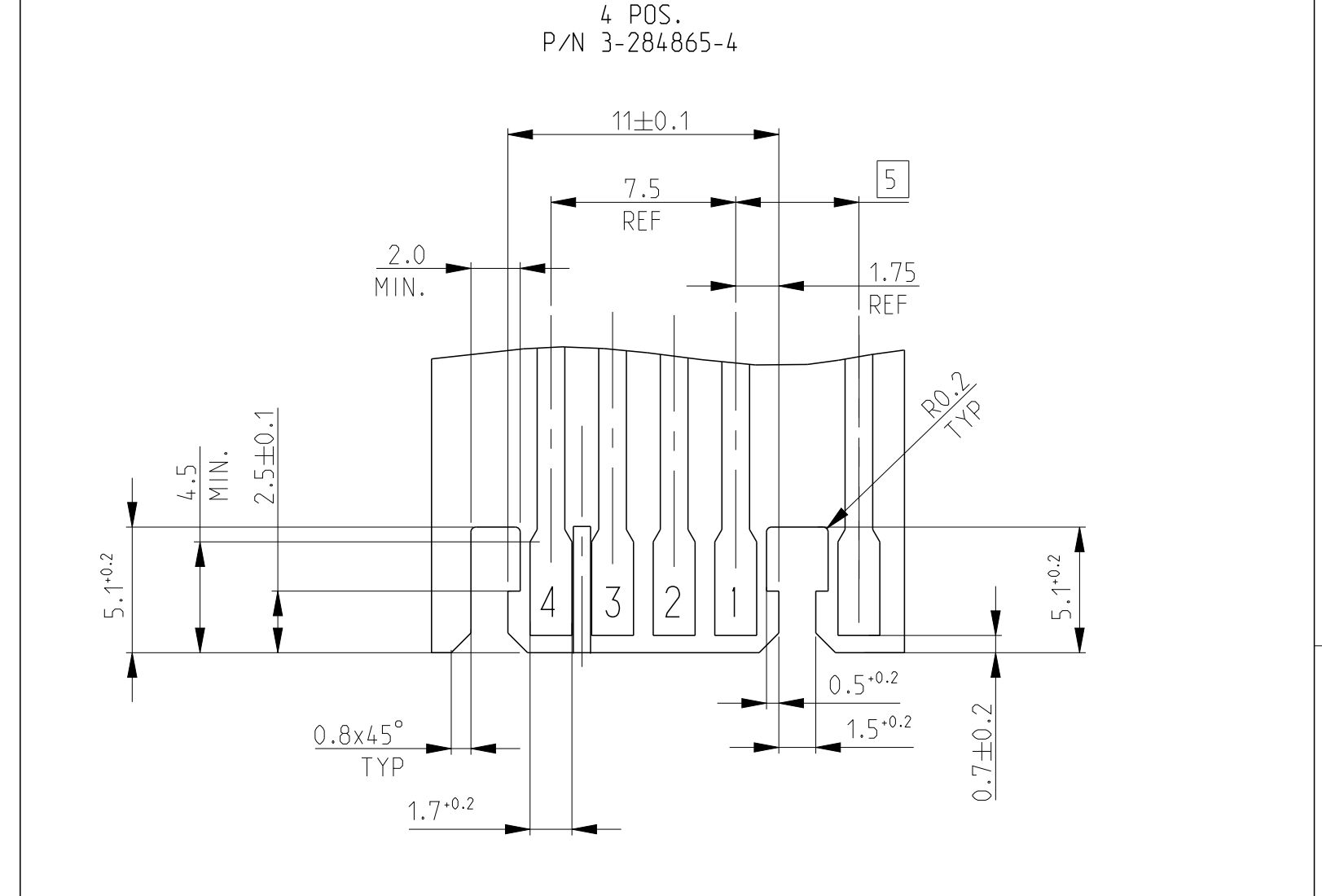
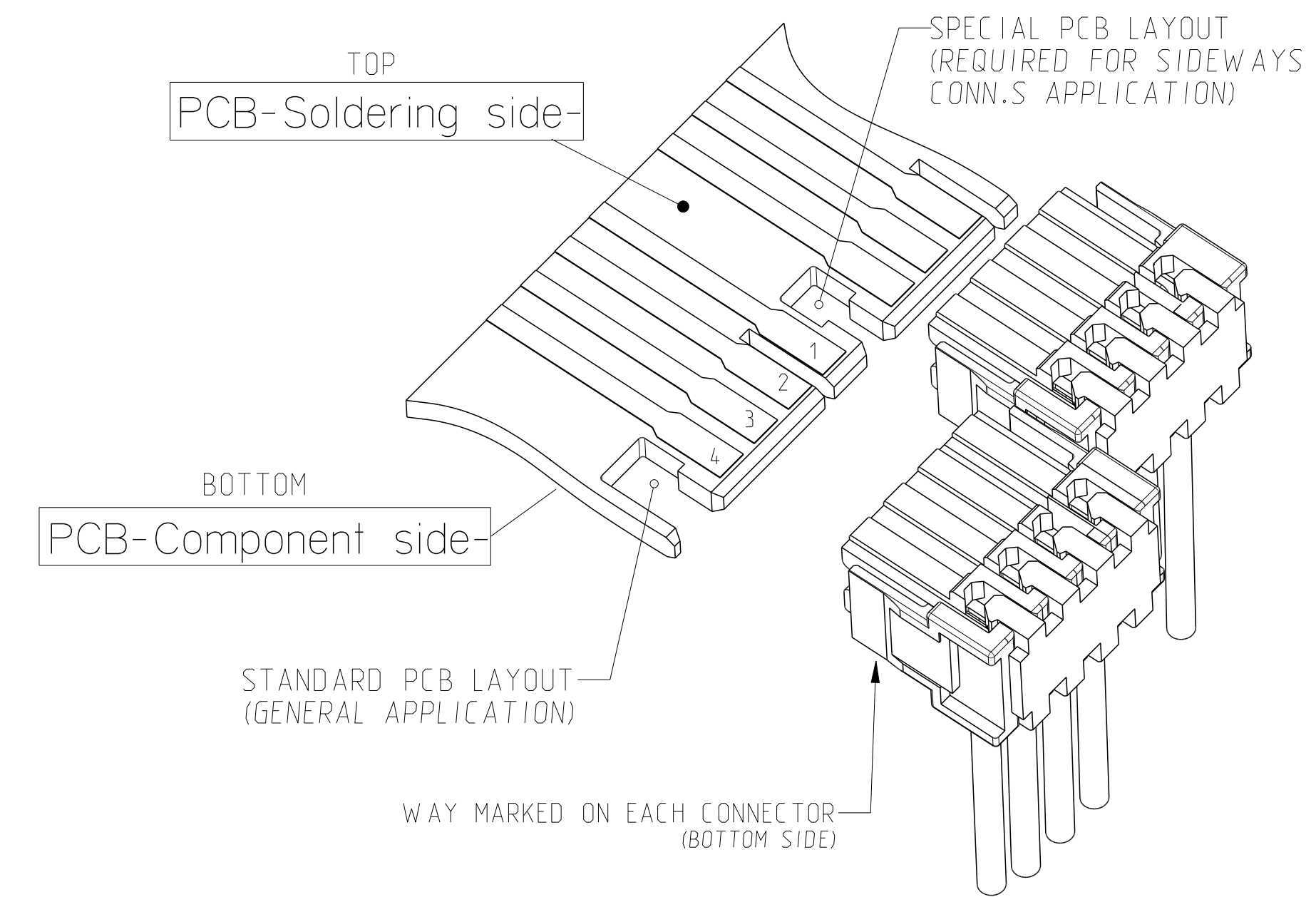
PCB LAYOUT -Soldering side-

(SCALE 4:1)



CONNECTION LAYOUT

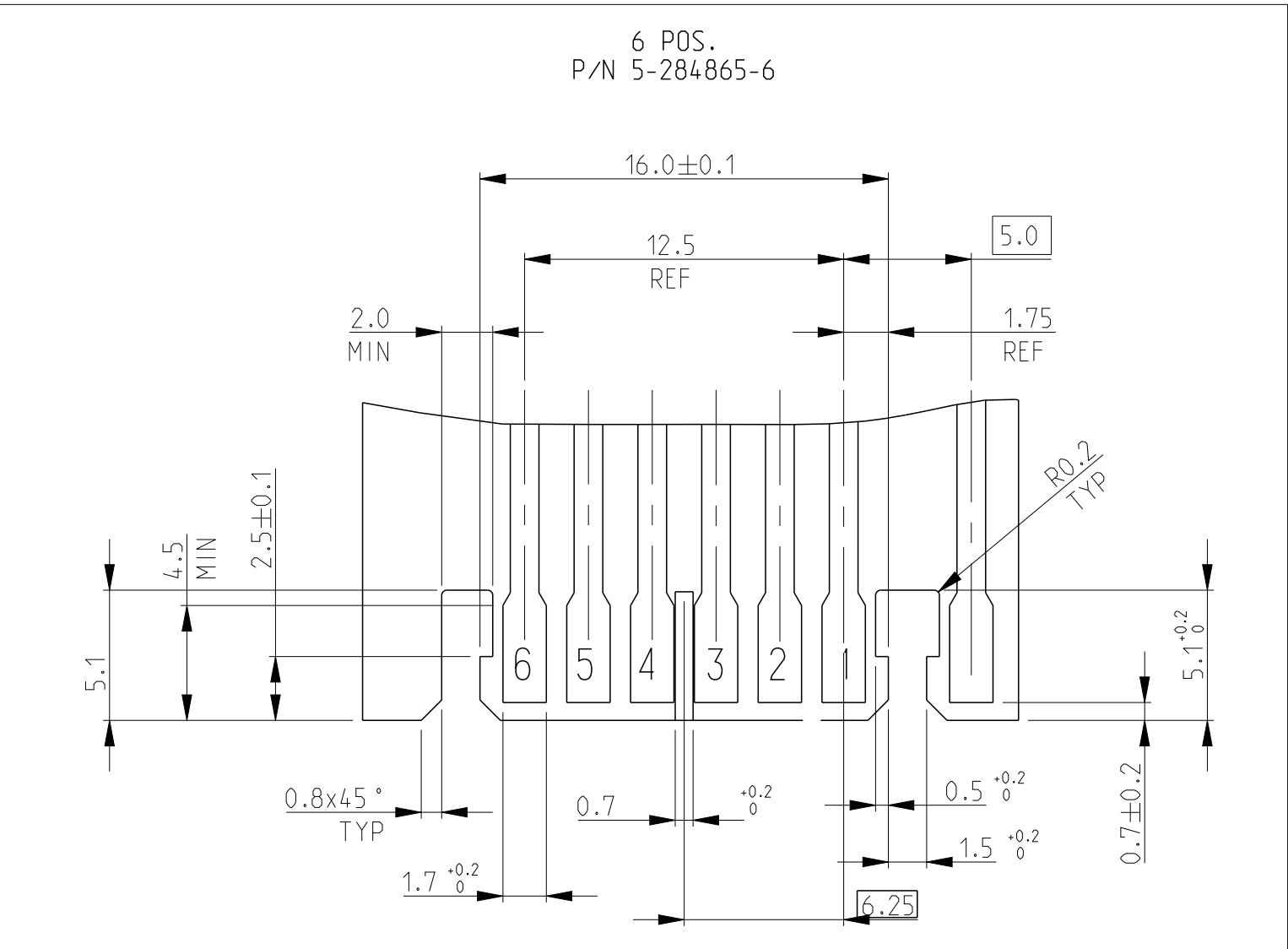
E.G P/N 0-284865-4
(SCALE 4:1)




THIS DRAWING IS A CONTROLLED DOCUMENT.		OWN: R. FABRIS	03JUL2002	TE Connectivity	
DIMENSIONS: mm		CHK: -	NAME: DUOPLUG 2.5 FEMALE CONN., SIDE LOCKING KEYPED (FULLY LOADED)	RESTRICTED TO	
TOLERANCES UNLESS OTHERWISE SPECIFIED:		APV: -	PRODUCT SPEC: 108-20238	SIZE: A1	
0 PLC # # # #		APV: -	APPLICATION SPEC: 116-18049-1	CAGE CODE: 00779	
1 PLC # # # #		APV: -	WEIGHT: -	DRAWING NO: 284865	
2 PLC # # # #		APV: -	FINISH: -	SHEET 3 OF 4	
3 PLC # # # #		APV: -	SCALE: 10:1	REV: A19	
4 PLC # # # #		APV: -	Customer Drawing	DATE: -	
ANGLES # # # #		APV: -		OWN: -	
MATERIAL: SEE TABLE		APV: -		APPV: -	

PCB LAYOUT -Soldering side-

(SCALE 4:1)



LOC		DIST		REVISIONS			
P	LTN	DESCRIPTION	DATE	DWN	APVD		
-	-	SEE SHEET 1	-	-	-		

THIS DRAWING IS A CONTROLLED DOCUMENT.		DWN R. FABRIS	03JUL2002	 TE Connectivity	
DIMENSIONS: mm		CHK -	APVD G. TURCO		
TOLERANCES UNLESS OTHERWISE SPECIFIED:		0 PLC ± 1 PLC ± 2 PLC ± 3 PLC ± 4 PLC ± ANGLES ±°		PRODUCT SPEC 108-20238	RESTRICTED TO
MATERIAL SEE TABLE		FINISH SEE TABLE		APPLICATION SPEC 116-18049-1	SIZE A1
		WEIGHT -		CAGE CODE C=284865	DRAWING NO -
		Customer Drawing		SCALE 10:1	SHEET 4 OF 4
				REV A19	