

5

4

3

2

1

D

C

B

A



Description: CPAD508 SMA(M)-BNC(F) adapter
 Part No: 29-3855
 Application: Adapter
 Crimp Tool: N/A
 Impedance: 50 Ohms
 Frequency Range: 0-4 GHz
 Material: Body Brass Nickel plated
 Insulator Delrin
 Contact Beryllium Gold plated
 RoHS Compliance: Yes
 Technical Detail: Refer to Emerson Document P/N 27-0000

DRAWING NO. 29-3855-CUST	
REVISIONS	
01	OFFICAL RELEASE
	2009.09.0 <i>Betty</i> 08:57:42 +0800

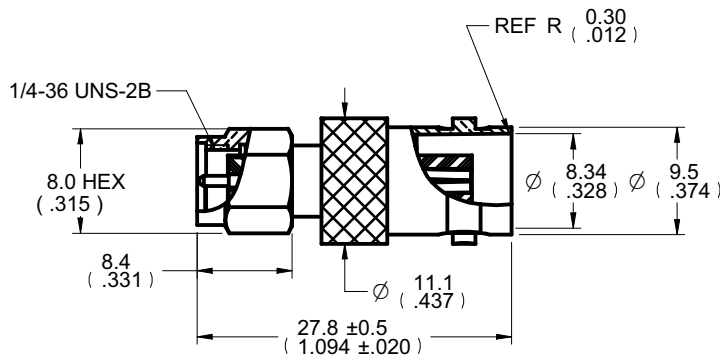
D

C

B

A

受控 CONTROLLED DOCUMENT					
编号 P/N	29-3855-CUST	版本 Rev	01	日期 Rel'd Date	SEP 14, 09



DIM OUTLINE

TOLERANCE UNLESS OTHERWISE SPECIFIED		DRAWN BY JEAN.JIN	DATE 08-17-09
DECIMALS	mm	CHECKED BY TERRY.W	DATE 08-17-09
X	± 0.5	APPROVED BY THOMAS	DATE 08-17-09
X.X	± 0.2	U/M	mm
X.XX	± 0.1		
ANGLES	± 0.5°		

CUSTOMER COPY



TITLE
CPAD508 SMA(M)-BNC(F) ADAPTER

THIS DRAWING WAS PRODUCED BY COMPUTER,
DO NOT SCALE DRAWING OR UPDATE MANUALLY.

SHEET 1 OF 1	DRAWING NO. 29-3855-CUST	SIZE A
-----------------	------------------------------------	------------------

5

4

3

2

1