

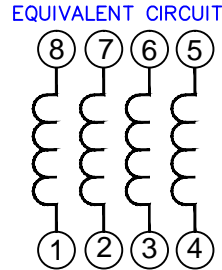
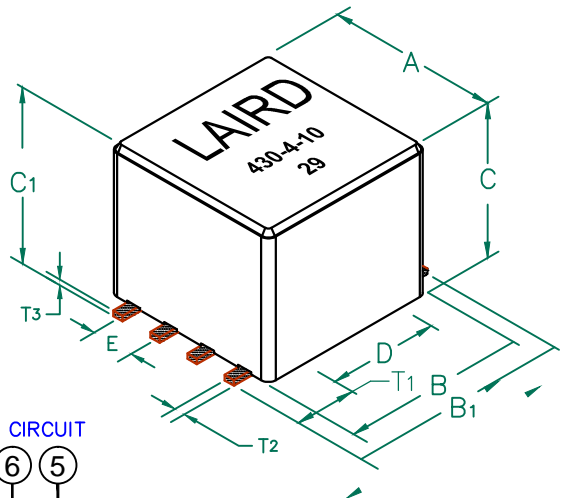
UNCONTROLLED DOCUMENT

29F0430-4SR-10

RoHS

PHYSICAL DIMENSIONS:

A	10.87 [.428]	+ 0.15 [.006]
B	10.87 [.428]	+ 0.15 [.006]
B ₁	13.46 [.530]	MAX
C	8.89 [.350]	+ 0.18 [.007]
C ₁	9.65 [.380]	+ MAX
D	7.62 [.300]	+ 0.13 [.005]
E	2.54 [.100]	+ 0.13 [.005]
T ₁	2.64 [.104]	+ 0.25 [.010]
T ₂	0.64 [.025]	- TYP.
T ₃	0.38 [.015]	+ TYP.

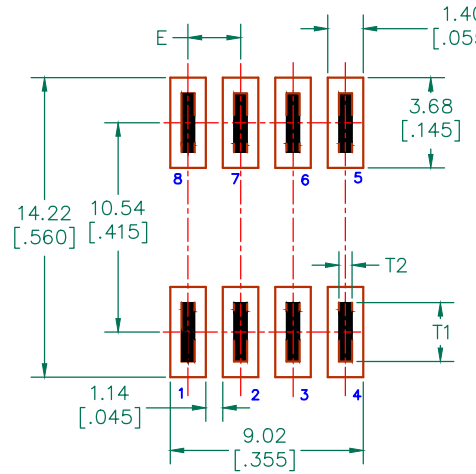


ELECTRICAL CHARACTERISTICS:

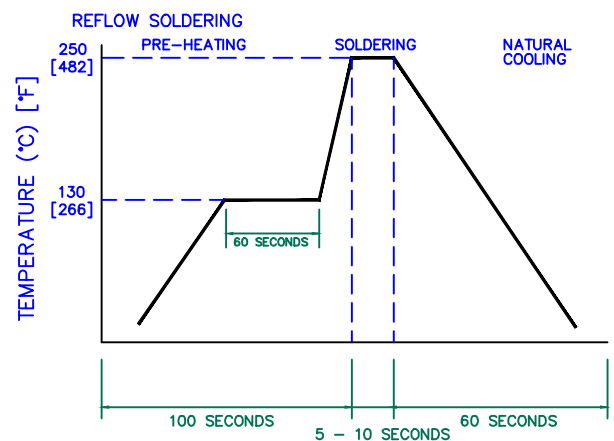
	Z @ 100MHz (Ω)	DCR (Ω)	Rated Current
Nominal	290		
Minimum	218		
Maximum	363	0.01	9,000 mA

- NOTES: UNLESS OTHERWISE SPECIFIED
1. TAPED AND REELED per CURRENT EIA SPECIFICATIONS 13" REELS, 400 PCS/REEL.
 2. COMPONENTS SHOULD BE ADEQUATELY PREHEATED BEFORE SOLDERING.
 3. REF. CARRIER TAPE SPECIFICATION #CART430-43.
 4. TERMINATION FINISH IS 100% TIN.
 5. THIS PART HAS NO PIN POLARITY.
 6. OPERATION TEMPERATURE (INCLUDING SELF-HEATING): -40 ~ +125°C.

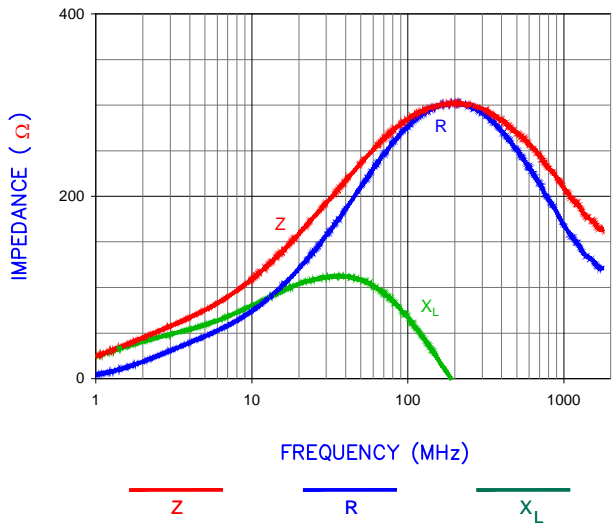
LAND PATTERNS FOR REFLOW SOLDERING



RECOMMENDED SOLDERING CONDITIONS



|Z|, R, AND X vs. FREQUENCY



DIMENSIONS ARE IN MM [INCHES]		This print is the property of Laird Tech. and is loaned in confidence subject to return upon request and with the understanding that no copies shall be made without the written consent of Laird Tech. All rights to design or invention are reserved.		Laird	
D	ADD NOTE 6	08/30/12	QIU	PROJECT/PART NUMBER:	REV
C	UPDATE COMPANY LOGO UPDATE ROHS SYMBOL, CHG KAPTON LABEL ADD EC	10/27/08	JRK	29F0430-4SR-10	D
B	UPDATE COMPANY LOGO	05/02/07	JRK	DATE:	SCALE:
A	ORIGINAL DRAFT	05/14/04	JRK	05/14/04	NTS
REV	DESCRIPTION	DATE	INT	CAD #	TOOL #
				29F0430-4SR-10-D-1	H0431
				SHEET:	1 of 2
				DRAWN BY:	JRK

HP 4396A Network/Spectrum Analyzer
HP 43961A Impedance Test Kit, HP 16192A Test Fixture