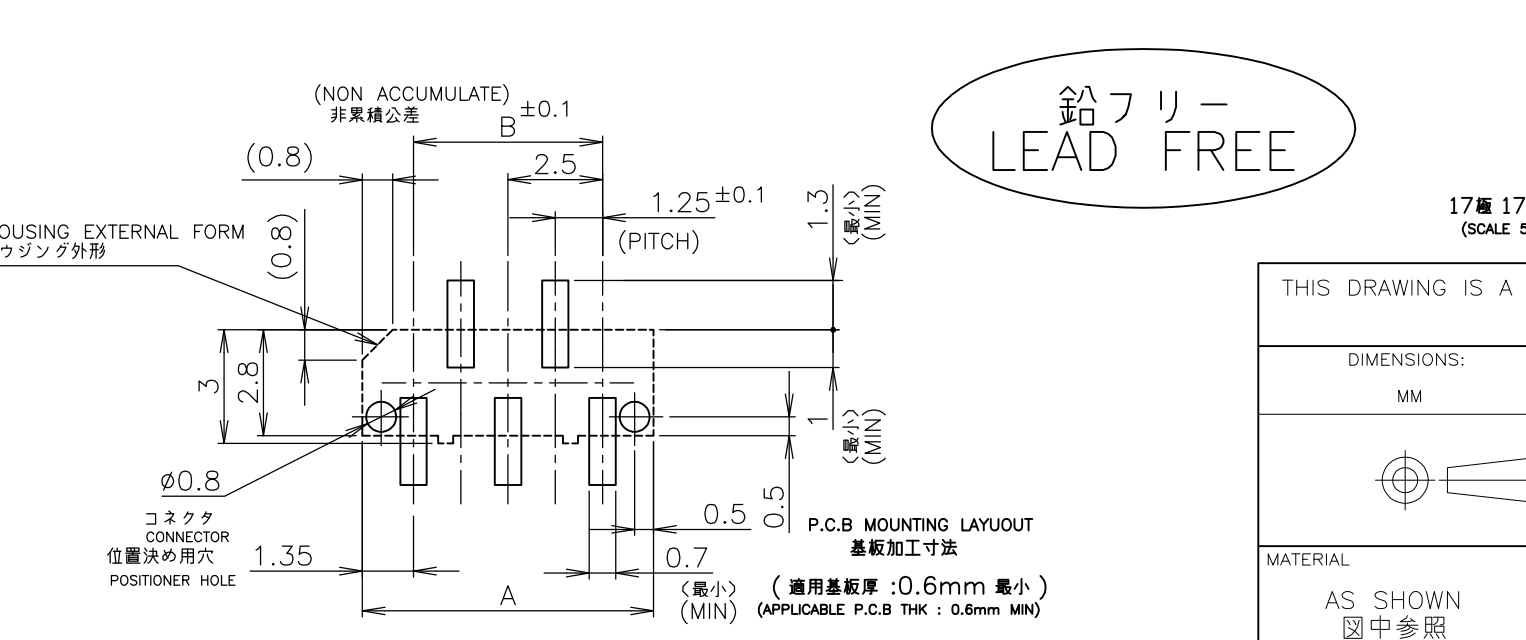
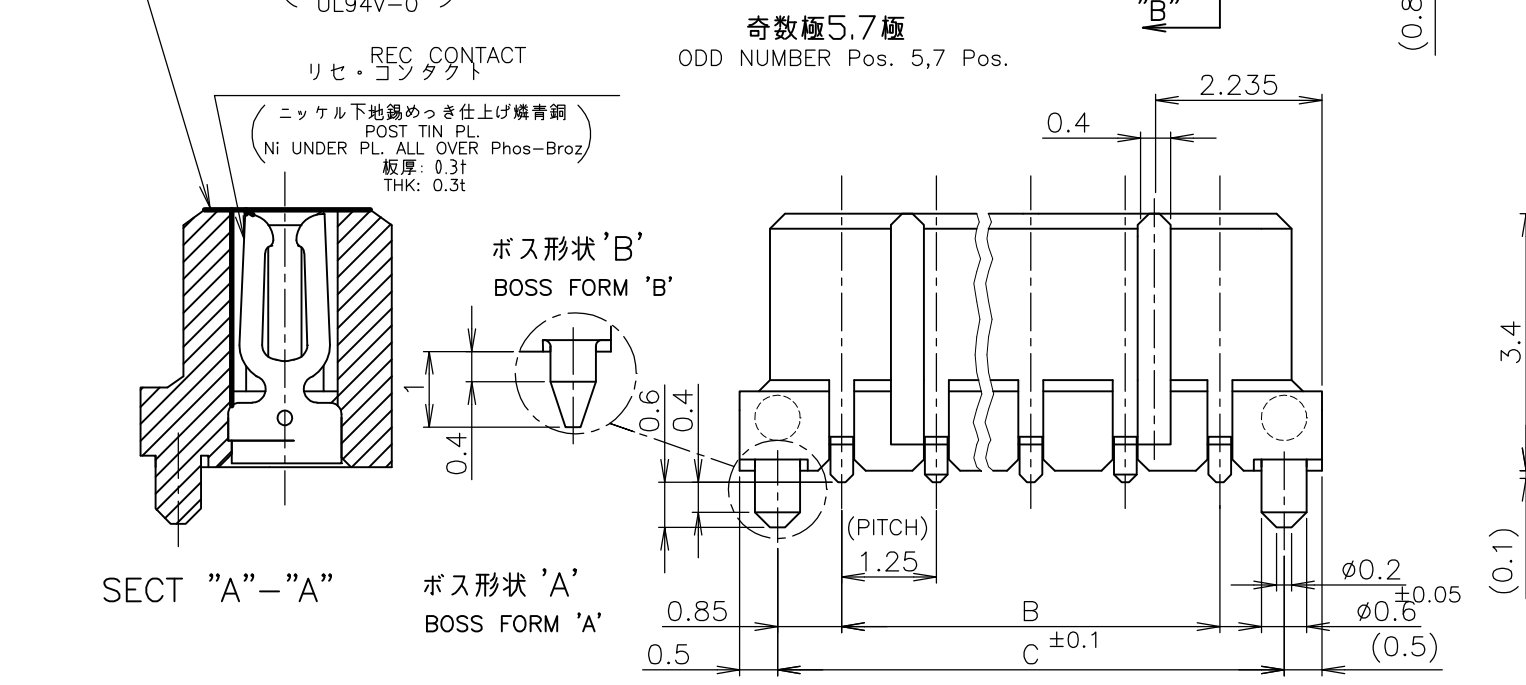
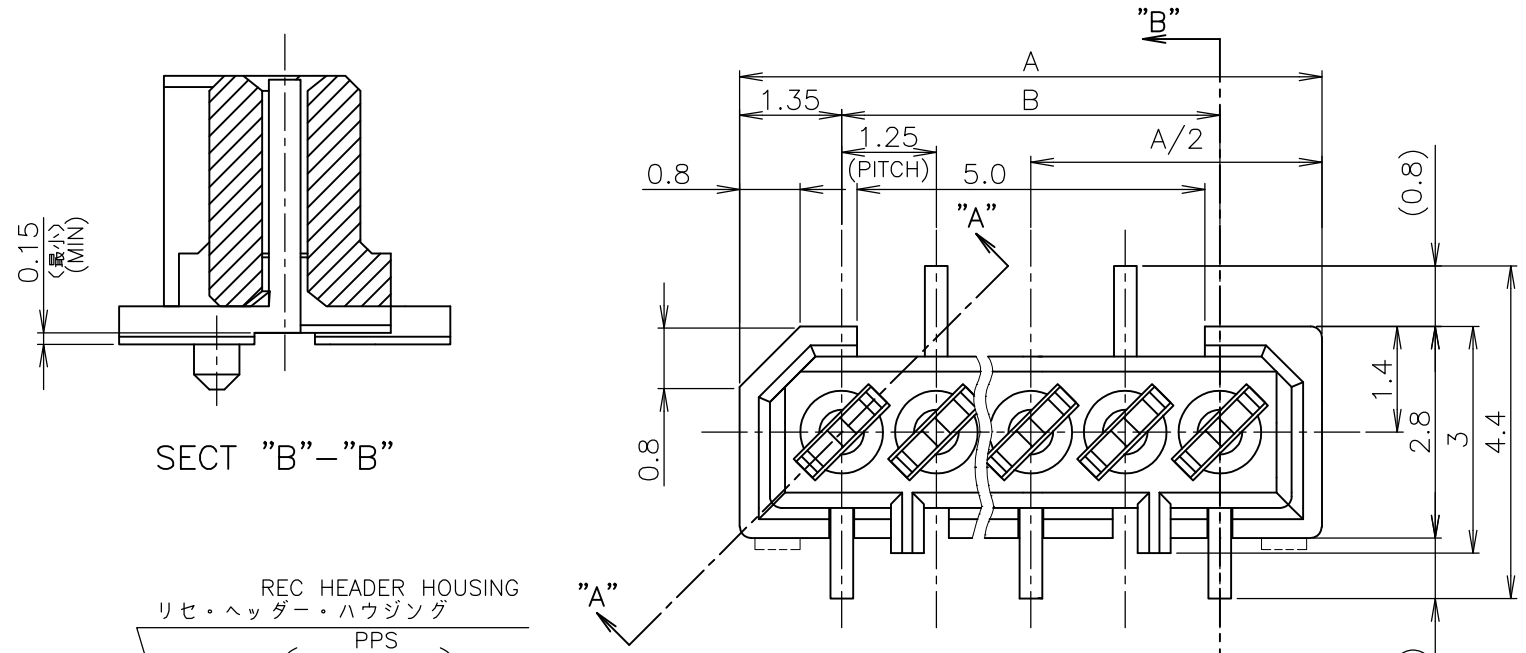
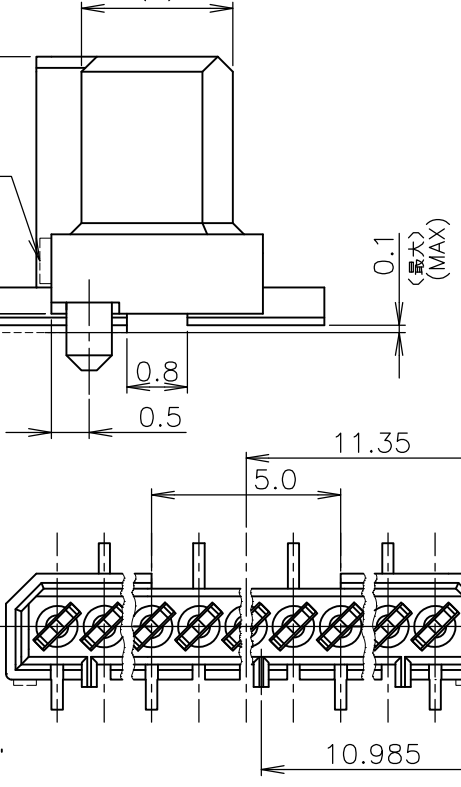
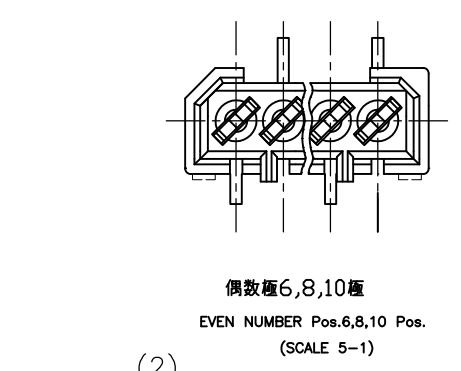
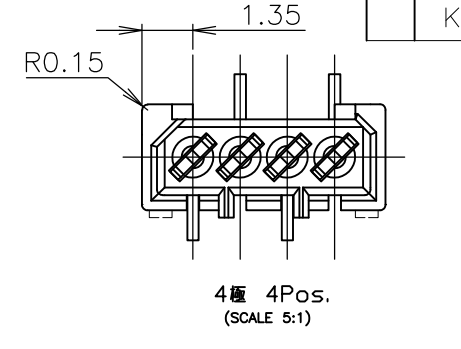


THIS DRAWING IS UNPUBLISHED. RELEASED FOR PUBLICATION
 © COPYRIGHT BY TYCO ELECTRONICS CORPORATION. ALL RIGHTS RESERVED.

LOC	DIST	REVISIONS						
		P	LTR	DESCRIPTION	DATE	DWN	APVD	
J			K	REVISED	FJBO-0267-03	09MAY03	T.T	H.M
			K1	REV PER ECO-10-000443		15JAN10	KK	AEG



鉛フリー
LEAD FREE



注記
NOTES

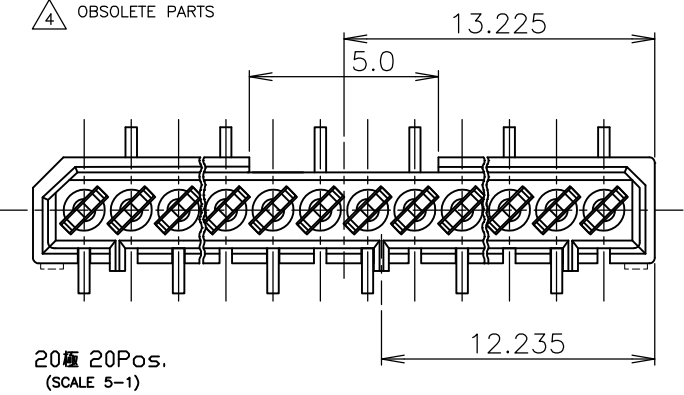
1 嵌合相手製品型番及び、嵌合時寸法は
MATING COUNTER PART NUMBER AND DIMENSIONS
表-1 参照のこと。
AFTER MATING: SEE TABLE 1.

嵌合時寸法: 巾(中心×中心)×高さ(mm)
DIMENSIONS AFTER MATING: WIDE(mm)×HEIGHT(mm)

MATING COUNTER CONN 嵌合相手側コネクタ POST HDR ASSY	製品型番	P/N	高さ H	WITH BOSS	
				X-174637-X	X-174642-X
DIP TYPE	X-174642-X		3.95	4.4 (巾W) x	5.1 (高さH)
				4.4 (巾W) x	7.0 (高さH)
SMT TYPE	ボス無 WITHOUT BOSS X-174644-X ボス付 WITH BOSS X-174820-X		3.95	4.4 (巾W) x	5.1 (高さH)
				4.4 (巾W) x	7.1 (高さH)

TABLE 1 SMT TYPEは、巾及び高さ寸法に
SMT TYPE INCLUDE DIMENSIONS
半田付タイン部寸法を含みます。
OF SOLDER DIP TINE.

- △2 基板位置決め用ボス切断跡。
CUT MARK OF POSITIONER BOSS.
- △3 OBSOLETE PARTS: OBSOLETE CIS STREAMLINING PER D.RENAUD/D.SINISI
- △4 OBSOLETE PARTS



	25.45	23.75	26.45	20	△3 5	—0
'A'	21.70	20.00	22.70	17	4	-7
'B'	12.95	11.25	13.95	10	4	-0
	10.45	8.75	11.45	8	3	-8
'A'	9.20	7.50	10.20	7	△4 3	-7
	7.95	6.25	8.95	6	△3 3	-6
	6.70	5.00	7.70	5	3	-5
'B'	5.45	3.75	6.45	4	3	-174637-4
ボス形状 BOSS FORM	C	B	A	極数 Pos.		型番 P/N

THIS DRAWING IS A CONTROLLED DOCUMENT.

DIMENSIONS: MM	TOLERANCES UNLESS OTHERWISE SPECIFIED:	DWN S.KANEKI 13MAY91	Tyco Electronics Tyco Electronics Kawasaki, Japan
		CHK J.TANIGAWA 13MAY91	
		APVD S.KUBOUCHI 24DEC98	NAME
			1.25 F-P CONNECTOR (B-TO-B) SINGLE ROW REC HDR ASS'Y (V) SMT TYPE WITH BOSS
MATERIAL AS SHOWN 図中参照	FINISH AS SHOWN 図中参照	PRODUCT SPEC	RESTRICTED TO
		APPLICATION SPEC	SIZE A3
		WEIGHT	CAGE CODE 00779
			DRAWING NO G-174637
			SCALE 10:1
			SHEET 1 OF 1
			REV K1

CUSTOMER DRAWING