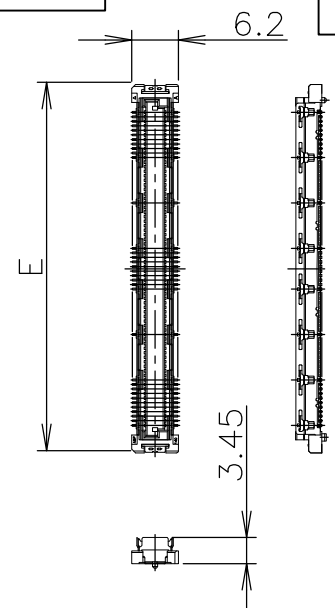
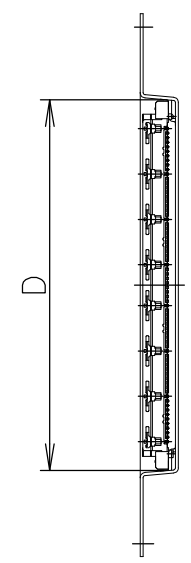
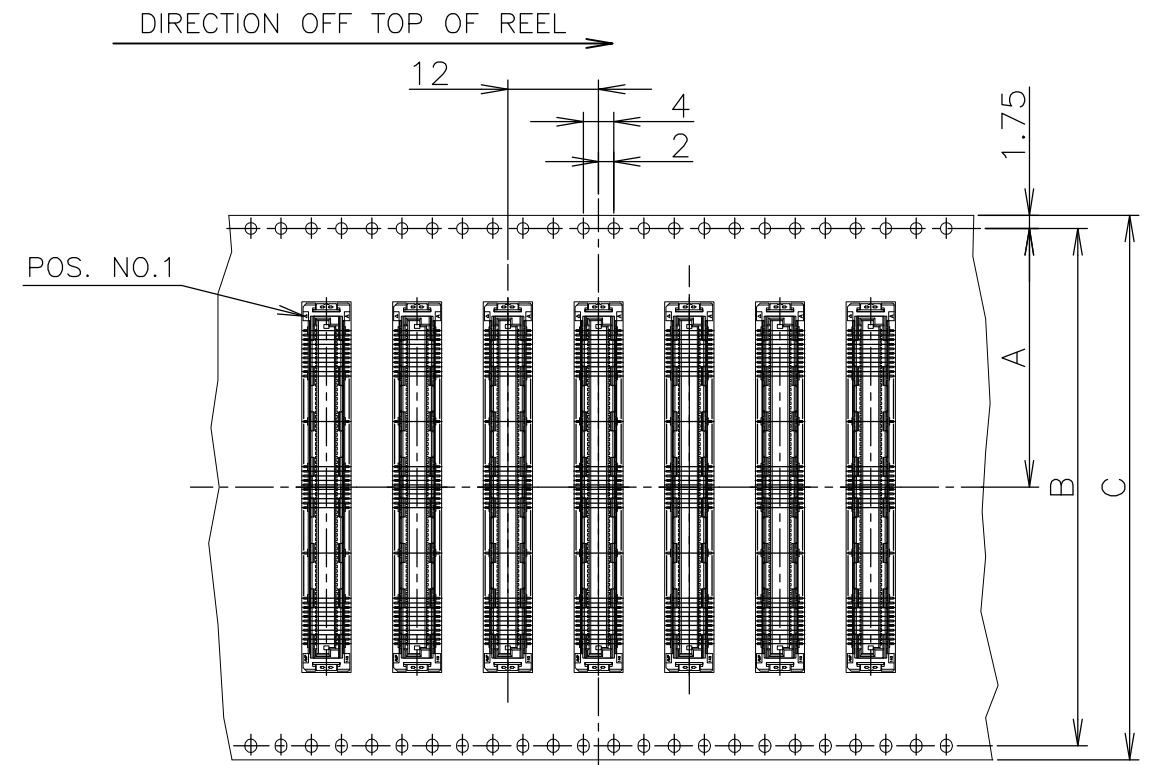
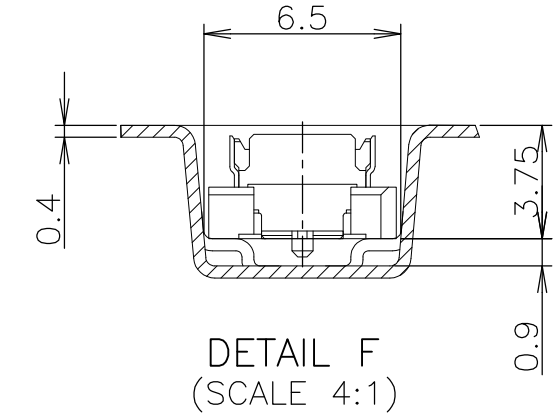


THIS DRAWING IS UNPUBLISHED. RELEASED FOR PUBLICATION FEB, 1995.  
 © COPYRIGHT 1995 By - ALL RIGHTS RESERVED.

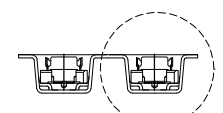
| LOC | DIST | REVISIONS |         |               |           |     |      |
|-----|------|-----------|---------|---------------|-----------|-----|------|
| J   | /    | P         | LTR     | DESCRIPTION   | DATE      | DWN | APVD |
|     |      | C2        | REVISED | ECR-15-012060 | 14SEP2015 | I.T | W.H  |



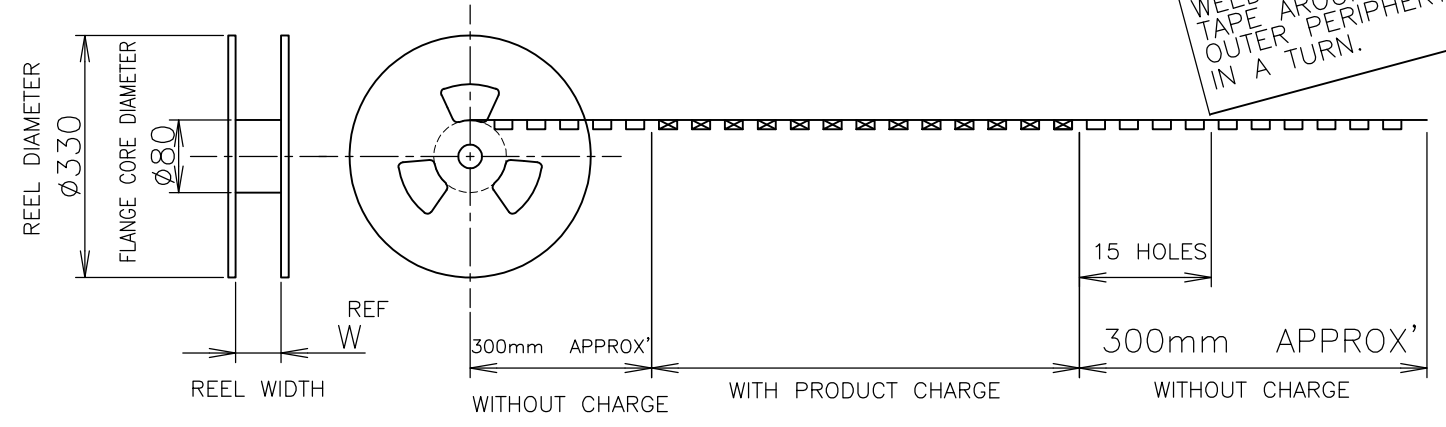
CONNECTOR DETAIL



DETAIL F (SCALE 4:1)



SEE DETAIL F



| SEALANT       | TOOLING STATUS | QTY. | FINISH | W    | E    | D  | C  | B    | A    | POS. | PART NO.    |
|---------------|----------------|------|--------|------|------|----|----|------|------|------|-------------|
| NOT AVAILABLE |                | 1000 | △      | 77.5 | 54.7 | 55 | 72 | 68.4 | 34.2 | 160  | 6-5353184-1 |
| AVAILABLE     |                |      | ↑      | 77.5 | 48.7 | 49 | 72 | 68.4 | 34.2 | 140  | 6- -0       |
| NOT AVAILABLE |                |      |        | 61.5 | 42.7 | 43 | 56 | 52.4 | 26.2 | 120  | 5- -9       |
| ↑             |                |      |        | 61.5 | 36.7 | 37 | 56 | 52.4 | 26.2 | 100  | 5- -8       |
| ↑             |                |      |        | 61.5 | 33.7 | 34 | 56 | 52.4 | 26.2 | 90   | 5- -7       |
| NOT AVAILABLE |                |      |        | 49.5 | 30.7 | 31 | 44 | 40.4 | 20.2 | 80   | 5- -6       |
| NOT AVAILABLE |                |      |        | 49.5 | 27.7 | 28 | 44 | 40.4 | 20.2 | 70   | 5- -5       |
| NOT AVAILABLE |                |      |        | 49.5 | 24.7 | 25 | 44 | 40.4 | 20.2 | 60   | 5- -4       |
| AVAILABLE     |                |      |        | 37.5 | 21.7 | 22 | 32 | 28.4 | 14.2 | 50   | 5- -3       |
| NOT AVAILABLE |                |      |        | 37.5 | 18.7 | 19 | 32 | 28.4 | 14.2 | 40   | 5- -2       |
| NOT AVAILABLE |                | 1000 | △      | 29.5 | 15.7 | 16 | 24 | 11.5 | 30   |      | 5-5353184-1 |
| ↑             |                |      |        | 77.5 | 48.7 | 49 | 72 | 68.4 | 34.2 | 140  | 4-5353184-0 |
| ↑             |                |      | △      | 61.5 | 36.7 | 37 | 56 | 52.4 | 26.2 | 100  | 3- -8       |
| NOT AVAILABLE |                |      | △      | 77.5 | 54.7 | 55 | 72 | 68.4 | 34.2 | 160  | 1- -1       |
| ↑             |                |      |        | 77.5 | 48.7 | 49 | 72 | 68.4 | 34.2 | 140  | 1- -0       |
| NOT AVAILABLE |                |      |        | 61.5 | 42.7 | 43 | 56 | 52.4 | 26.2 | 120  | -9          |
| AVAILABLE     |                |      |        | 61.5 | 36.7 | 37 | 56 | 52.4 | 26.2 | 100  | -8          |
| NOT AVAILABLE |                |      |        | 61.5 | 33.7 | 34 | 56 | 52.4 | 26.2 | 90   | -7          |
| NOT AVAILABLE |                |      |        | 49.5 | 30.7 | 31 | 44 | 40.4 | 20.2 | 80   | -6          |
| AVAILABLE     |                |      |        | 49.5 | 27.7 | 28 | 44 | 40.4 | 20.2 | 70   | -5          |
| NOT AVAILABLE |                |      |        | 49.5 | 24.7 | 25 | 44 | 40.4 | 20.2 | 60   | -4          |
| AVAILABLE     |                |      |        | 37.5 | 21.7 | 22 | 32 | 28.4 | 14.2 | 50   | -3          |
| NOT AVAILABLE |                |      |        | 37.5 | 18.7 | 19 | 32 | 28.4 | 14.2 | 40   | -2          |
| NOT AVAILABLE |                | 1000 | △      | 29.5 | 15.7 | 16 | 24 | 11.5 | 30   |      | 5353184-1   |

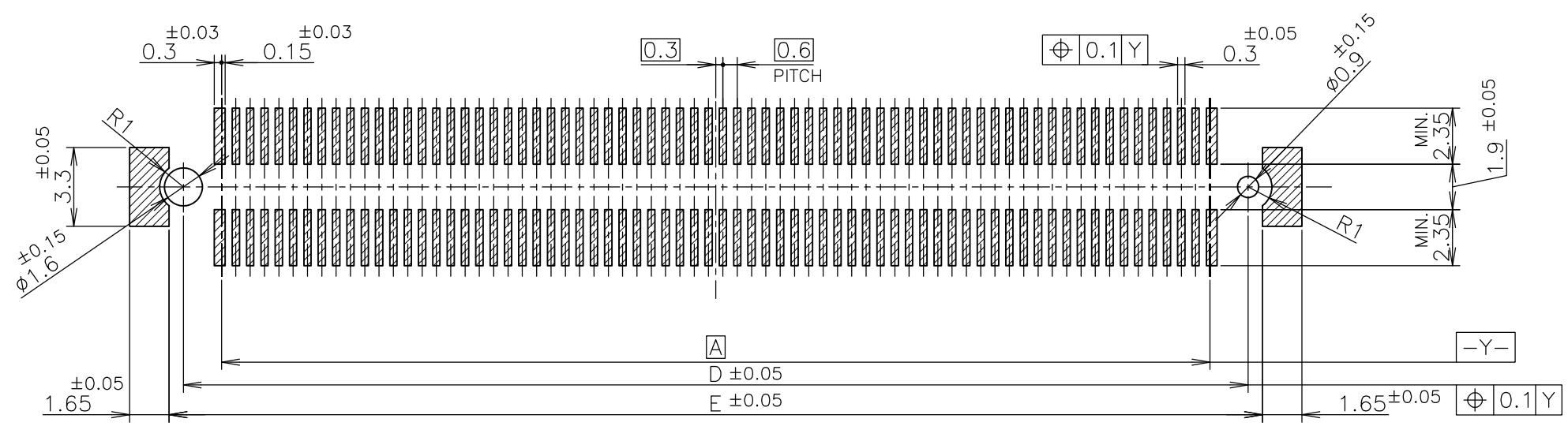
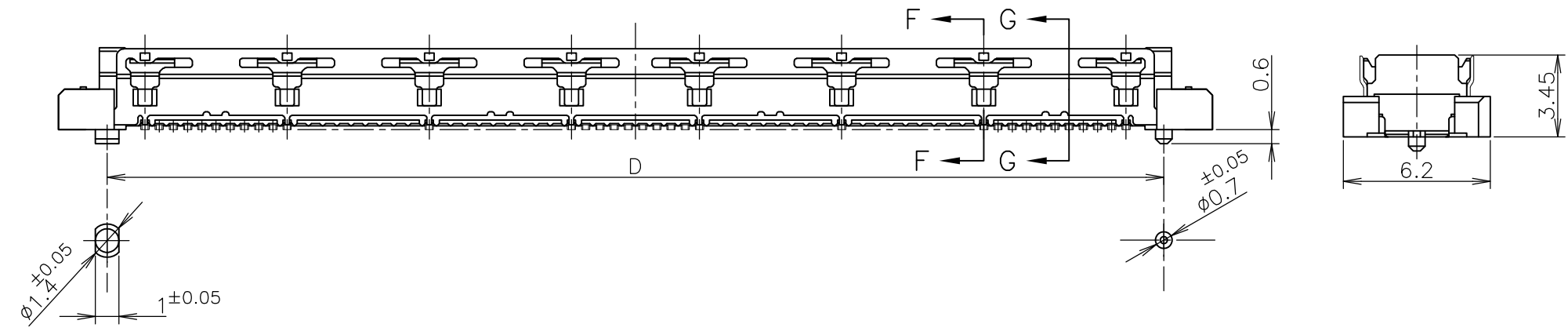
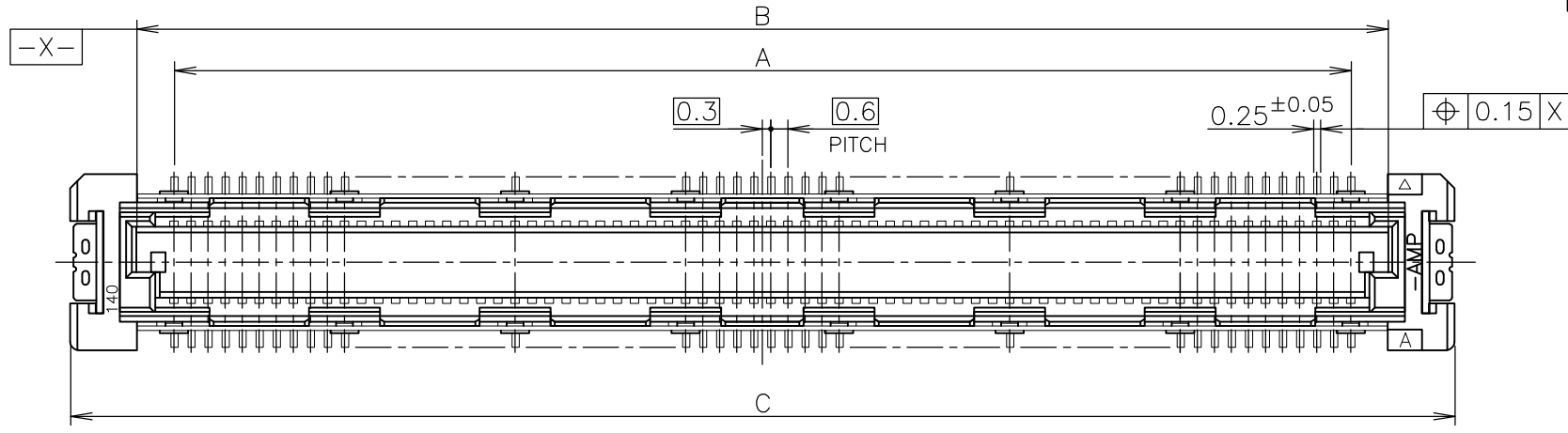
THIS DRAWING IS A CONTROLLED DOCUMENT.

|                            |   |  |   |
|----------------------------|---|--|---|
| DIMENSIONS:<br>単位: 耗<br>mm | TOLERANCES UNLESS<br>OTHERWISE SPECIFIED:<br>一般公差 | DWN<br>HAWKING HE<br>08DEC04           | TE Connectivity<br>EMBOSS ASSY<br>FH 0.6BTB CONNECTOR<br>PLUG 4H WITH G-PLATE |
|                            | 0 PLC ± 0.3                                       | CHK<br>STEVEN YAO<br>08DEC04           |   |
|                            | 1 PLC ± 0.3                                       | APVD<br>I.ENOMOTO<br>08DEC04           |   |
|                            | 2 PLC ± 0.3                                       | NAME<br>I.ENOMOTO                      |   |
|                            | 3 PLC ± 0.3                                       | PRODUCT SPEC<br>製品規格<br>108-60047      | SIZE  |
|                            | 4 PLC ± 0.3                                       | APPLICATION SPEC<br>取付適用規格<br>114-5255 | CAGE CODE   |
|                            | ANGLES ± 3'                                       | WEIGHT                                 | DRAWING NO<br>番号<br>G-5353184   |
| MATERIAL<br>材料             | FINISH<br>仕上                                      |  | RESTRICTED TO   |
| △1                         | △2 △5   |  |   |

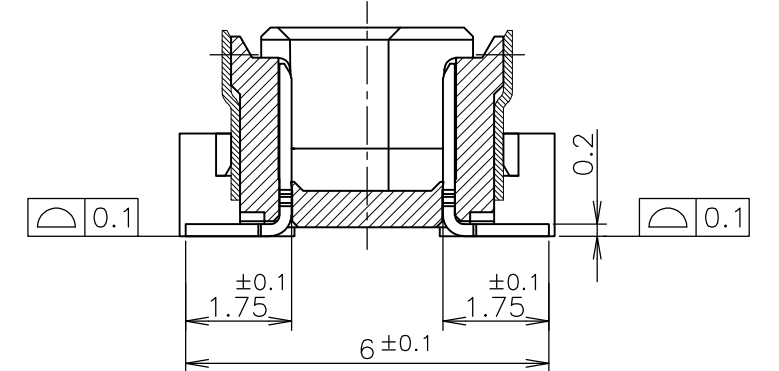
|                  |                 |                 |           |
|------------------|-----------------|-----------------|-----------|
| CUSTOMER DRAWING | SCALE<br>尺度 1:1 | SHEET<br>1 OF 3 | REV<br>C2 |
|------------------|-----------------|-----------------|-----------|

THIS DRAWING IS UNPUBLISHED. RELEASED FOR PUBLICATION FEB , 1995.  
 © COPYRIGHT 1995 By - ALL RIGHTS RESERVED.

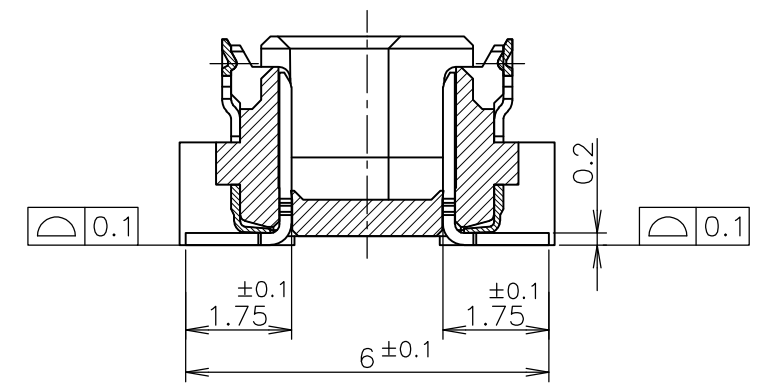
| LOC | DIST | P | LTR | REVISIONS<br>変更 | DATE | DWN | APVD |
|-----|------|---|-----|-----------------|------|-----|------|
| J   | /    |   |     | DESCRIPTION     |      |     |      |
|     |      |   |     | SEE SHEET 1     |      |     |      |



REFERENCE P.C.BOARD LAYOUT



G-G  
(SIGNAL POSITION)  
(SCALE 8:1)



F-F  
(GROUND POSITION)  
(SCALE 8:1)

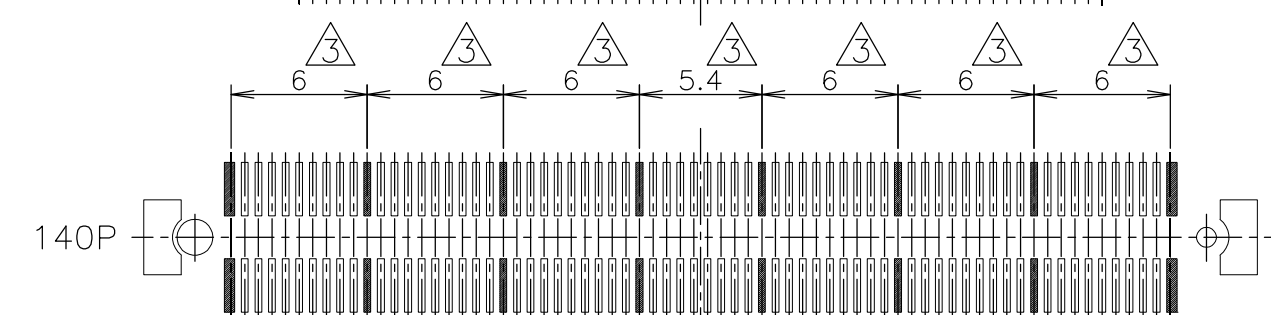
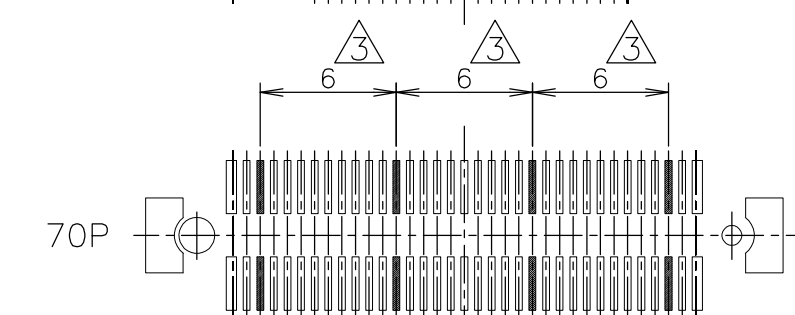
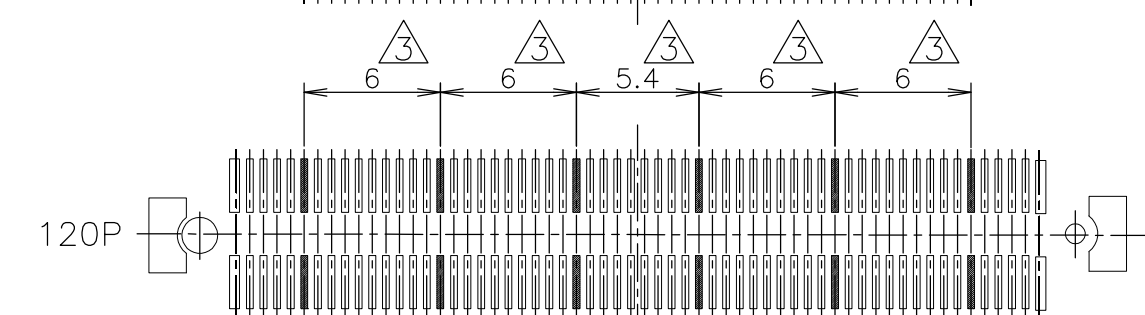
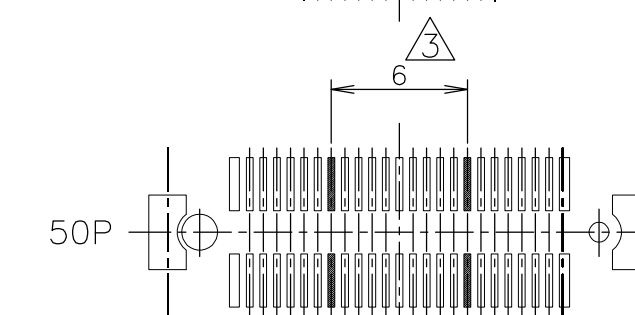
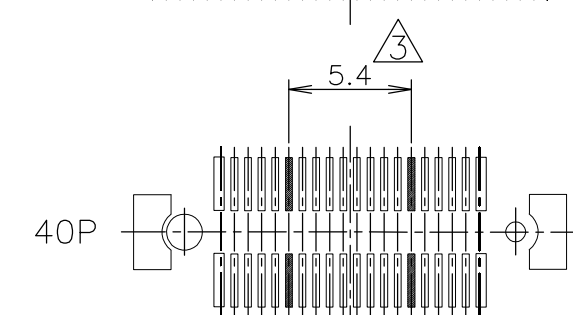
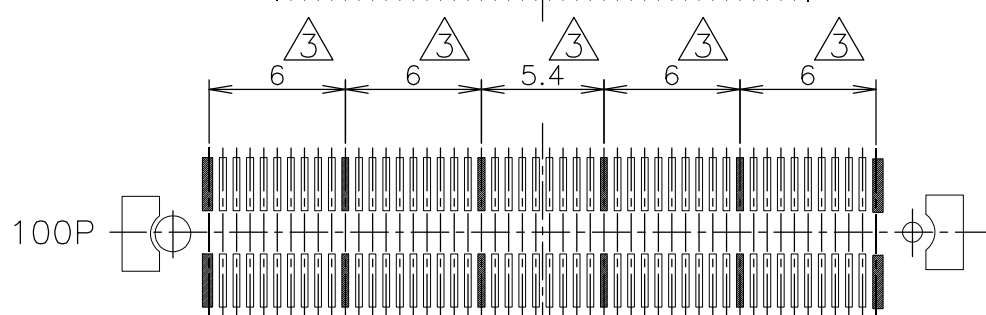
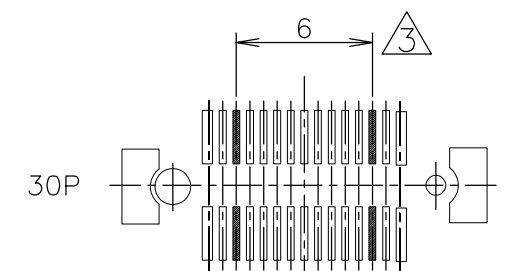
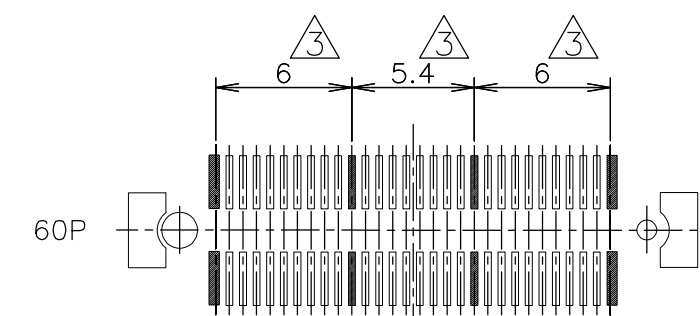
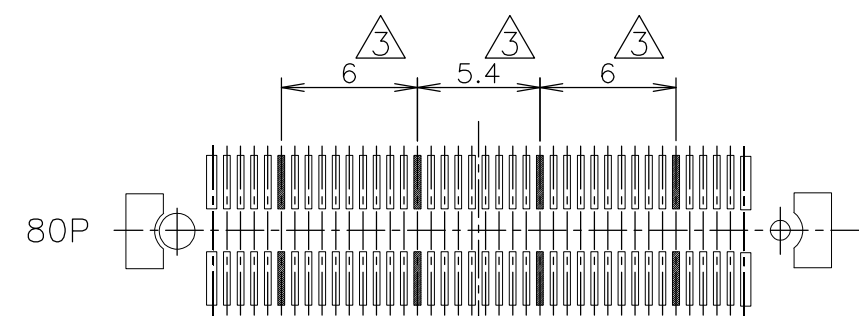
|                |      |      |      |    |      |     |
|----------------|------|------|------|----|------|-----|
| AVAILABLE      | 51.8 | 50.6 | 54.7 | 50 | 47.4 | 160 |
| AVAILABLE      | 45.8 | 44.6 | 48.7 | 44 | 41.4 | 140 |
| NOT AVAILABLE  | 39.8 | 38.6 | 42.7 | 38 | 35.4 | 120 |
| AVAILABLE      | 33.8 | 32.6 | 36.7 | 32 | 29.4 | 100 |
| NOT AVAILABLE  | 30.8 | 29.6 | 33.7 | 29 | 26.4 | 90  |
| NOT AVAILABLE  | 27.8 | 26.6 | 30.7 | 26 | 23.4 | 80  |
| AVAILABLE      | 24.8 | 23.6 | 27.7 | 23 | 20.4 | 70  |
| AVAILABLE      | 21.8 | 20.6 | 24.7 | 20 | 17.4 | 60  |
| AVAILABLE      | 18.8 | 17.6 | 21.7 | 17 | 14.4 | 50  |
| NOT AVAILABLE  | 15.8 | 14.6 | 18.7 | 14 | 11.4 | 40  |
| NOT AVAILABLE  | 12.8 | 11.6 | 15.7 | 11 | 8.4  | 30  |
| TOOLING STATUS | E    | D    | C    | B  | A    | POS |

THIS DRAWING IS A CONTROLLED DOCUMENT.

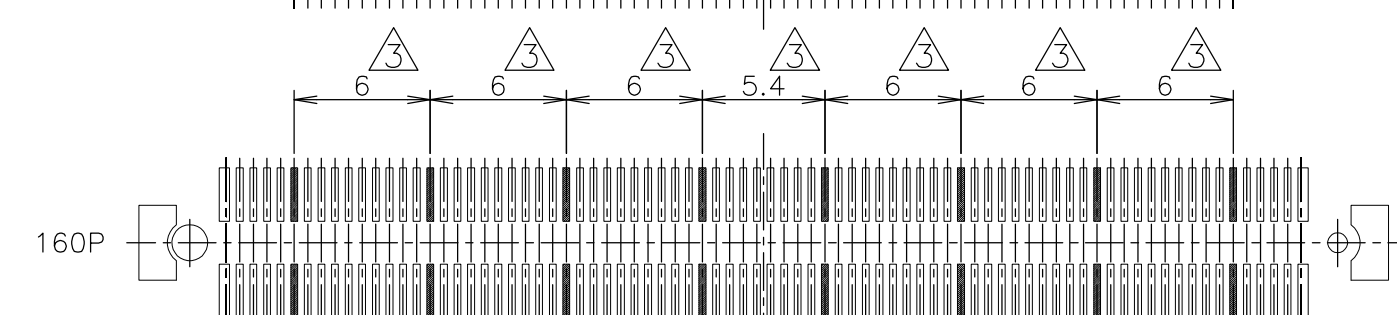
|                            |   |                            |   |
|----------------------------|---|----------------------------|---|
| DIMENSIONS:<br>单位: 耗<br>mm | TOLERANCES UNLESS<br>OTHERWISE SPECIFIED:<br>一般公差 | DWN                        | TE Connectivity<br>NAME<br>名称<br>EMBOSS ASSY<br>FH 0.6BTB CONNECTOR<br>PLUG 4H WITH G-PLATE |
|                            | 0 PLC ± 0.3                                       | CHK                        |   |
|                            | 1 PLC ± 0.3                                       | APVD                       |   |
|                            | 2 PLC ± 0.3                                       | PRODUCT SPEC<br>製品規格       |   |
|                            | 3 PLC ± 0.3                                       | APPLICATION SPEC<br>取付適用規格 |   |
| MATERIAL<br>材料             | FINISH<br>仕上                                      | WEIGHT                     | SIZE<br>A3<br>CAGE CODE<br>00779<br>DRAWING NO<br>G-5353184<br>RESTRICTED TO<br>番号          |
| CUSTOMER DRAWING           |   |                            | SCALE<br>尺度 4:1<br>SHEET<br>2 OF 3<br>REV<br>C2   |

THIS DRAWING IS UNPUBLISHED. RELEASED FOR PUBLICATION FEB , 1995.  
 © COPYRIGHT 1995 By - ALL RIGHTS RESERVED.

| LOC |     | DIST        |  | REVISIONS |  |  | DATE | DWN | APVD |
|-----|-----|-------------|--|-----------|--|--|------|-----|------|
| J   |     | /           |  | 変更        |  |  |      |     |      |
| P   | LTR | DESCRIPTION |  |           |  |  |      |     |      |
|     | -   | SEE SHEET 1 |  |           |  |  |      |     |      |



- ① MATERIAL : HOUSING : HIGH TEMP THERMO PLASTIC, UL94V-0  
CONTACT : COPPER ALLOY
- ② FINISH : UNDER PL Ni 0.0013mm MIN ALL OVER.  
CONTACT AREA: 0.0002mm MIN Au PL.  
SOLDERING AREA: 0.001mm MIN TIN PL.
- ③ THIS POSITION IS GROUND CIRCUIT.
- ④ THIS PRODUCT WAS COATED BY FLUX-PENETRATION  
-INHIBITING AGENT.
- ⑤ FINISH : UNDER PL Ni 0.0013mm MIN ALL OVER.  
CONTACT AREA: 0.00076mm MIN Au PL.  
SOLDERING AREA: 0.001mm MIN TIN PL.



|   |  |                         |  |                            |           |
|---|--|-------------------------|--|----------------------------|-----------|
| THIS DRAWING IS A CONTROLLED DOCUMENT.      |  | DWN                     |  | <b>STE</b> TE Connectivity |           |
| DIMENSIONS: 単位: 耗 mm                        |  | CHK                     |  |                            |           |
| TOLERANCES UNLESS OTHERWISE SPECIFIED: 一般公差 |  | APVD                    |  | NAME 名称                    |           |
| 0 PLC ± 0.3                                 |  | PRODUCT SPEC 製品規格       |  | EMBOSS ASSY                |           |
| 1 PLC ± 0.3                                 |  | APPLICATION SPEC 取付適用規格 |  | FH 0.6BTB CONNECTOR        |           |
| 2 PLC ± 0.3                                 |  | WEIGHT                  |  | PLUG 4H WITH G-PLATE       |           |
| 3 PLC ± 0.3                                 |  | CUSTOMER DRAWING        |  | SIZE                       | CAGE CODE |
| 4 PLC ± 0.3                                 |  | SCALE 尺度 3:1            |  | A3                         | 00779     |
| ANGLES ± 3'                                 |  | SHEET 3 OF 3            |  | DRAWING NO 番号              |           |
| FINISH 仕上                                   |  | REV C2                  |  | G-5353184                  |           |
| MATERIAL 材料                                 |  | RESTRICTED TO           |  | -                          |           |

PROJ NO.695-013

A