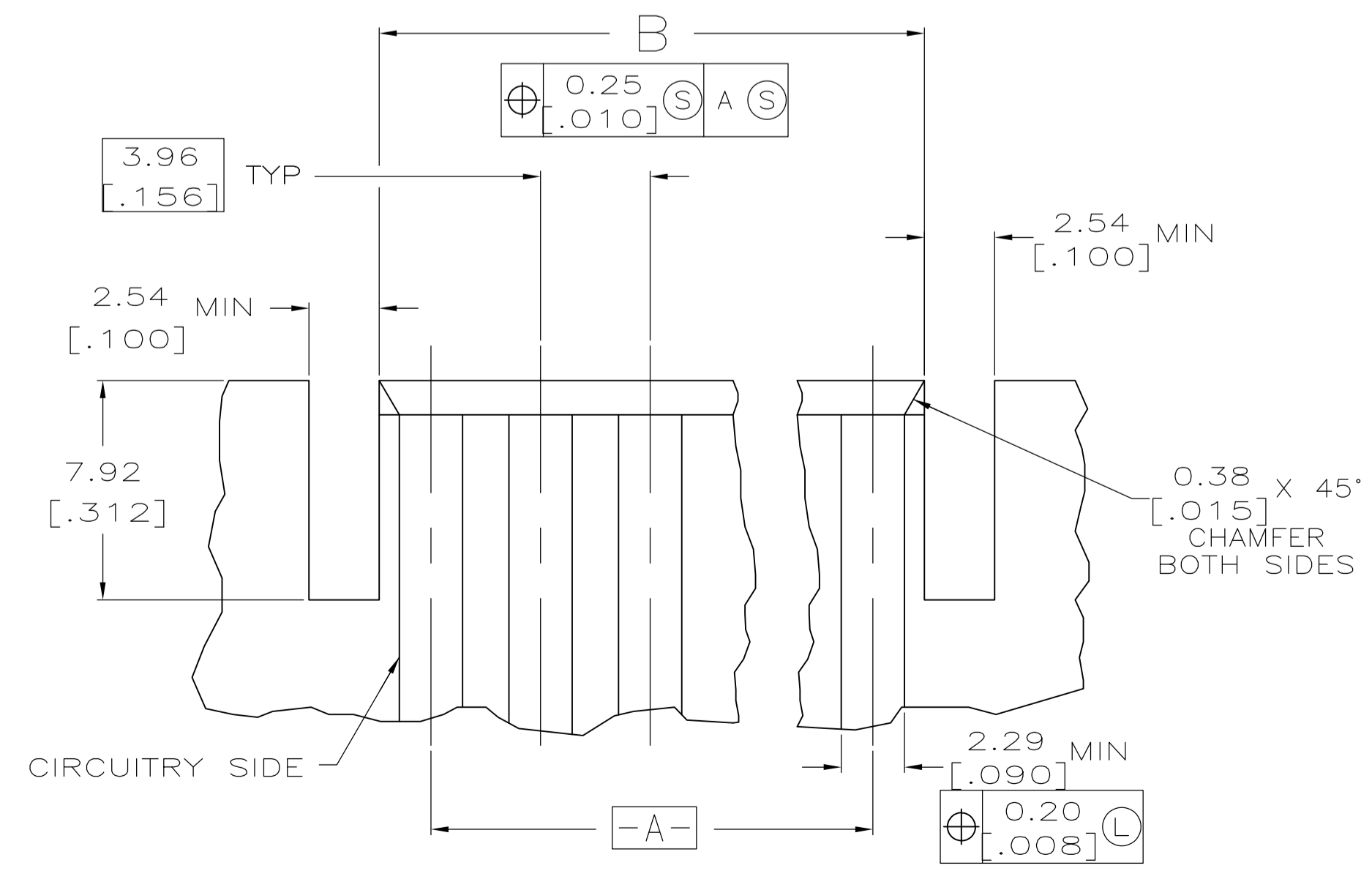
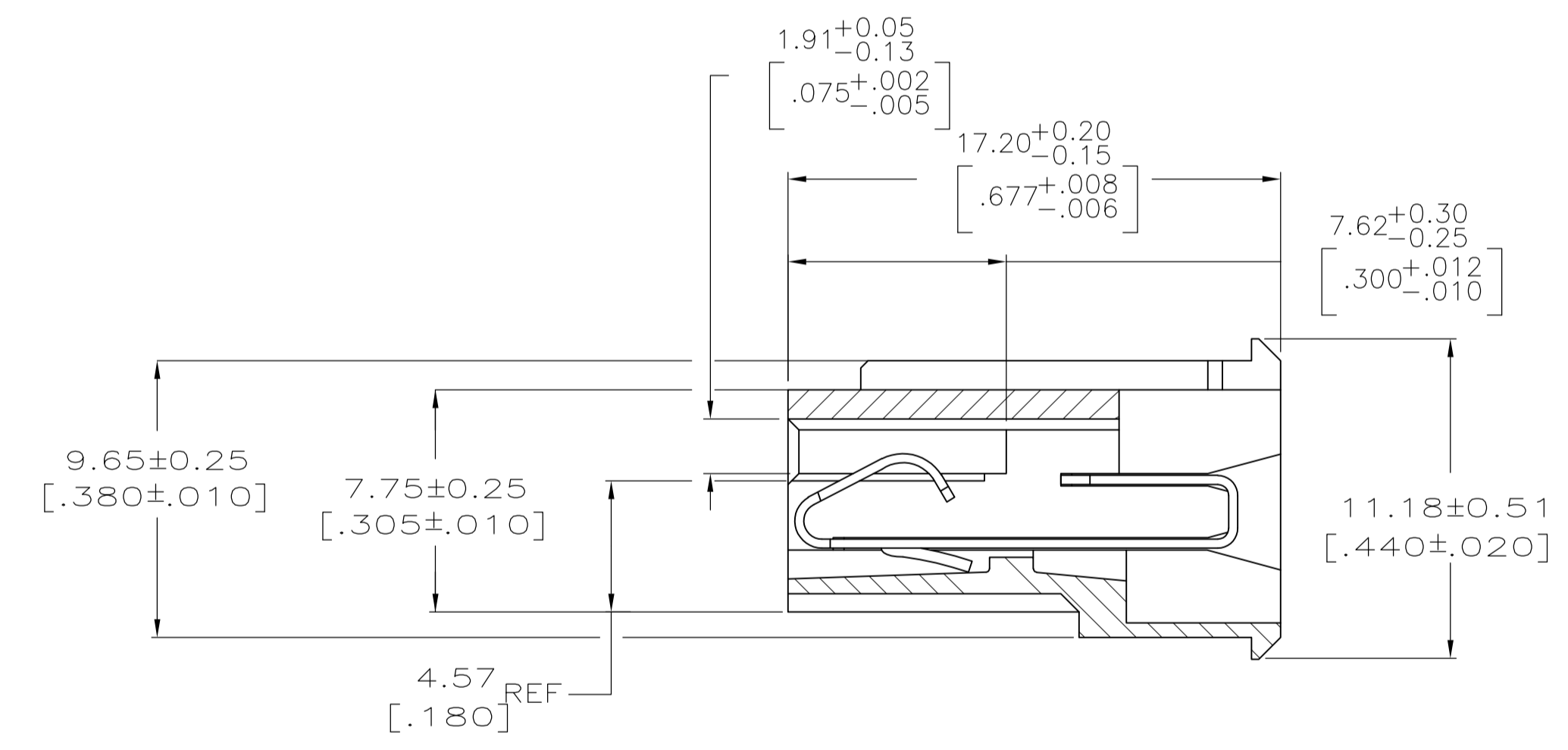
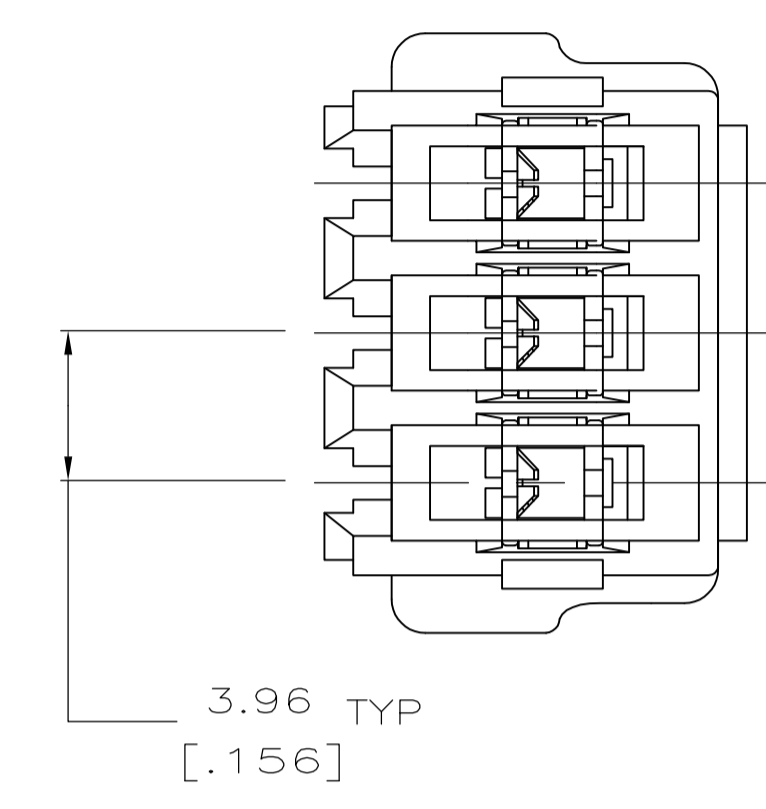
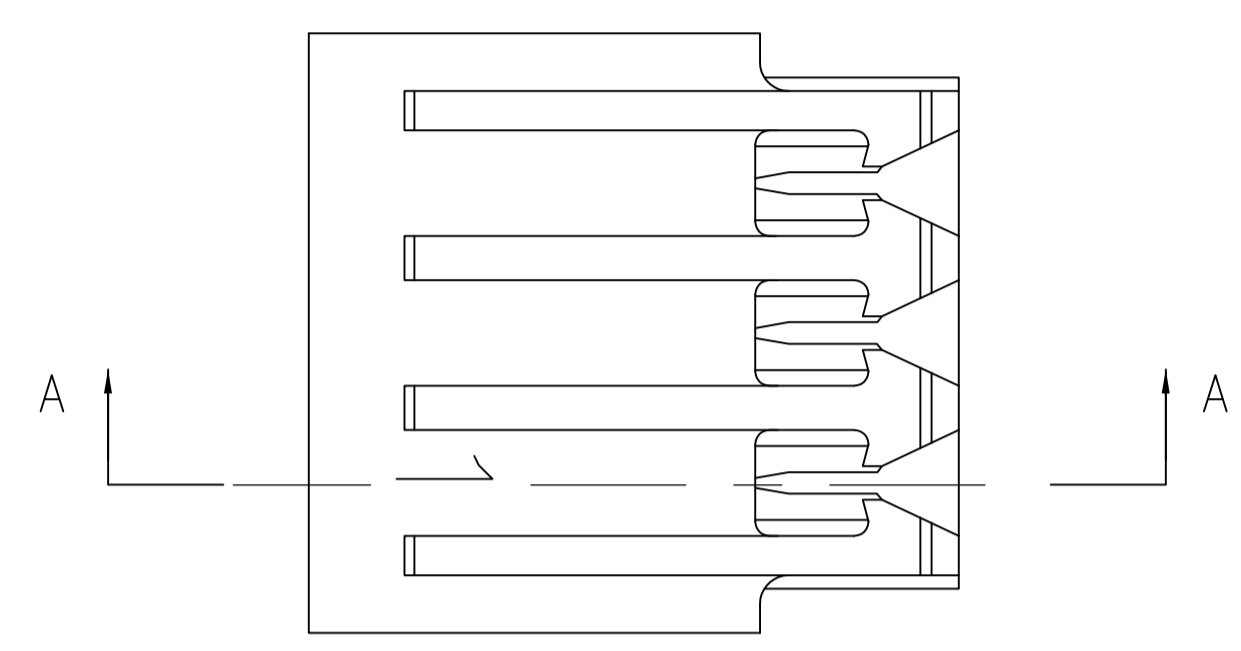
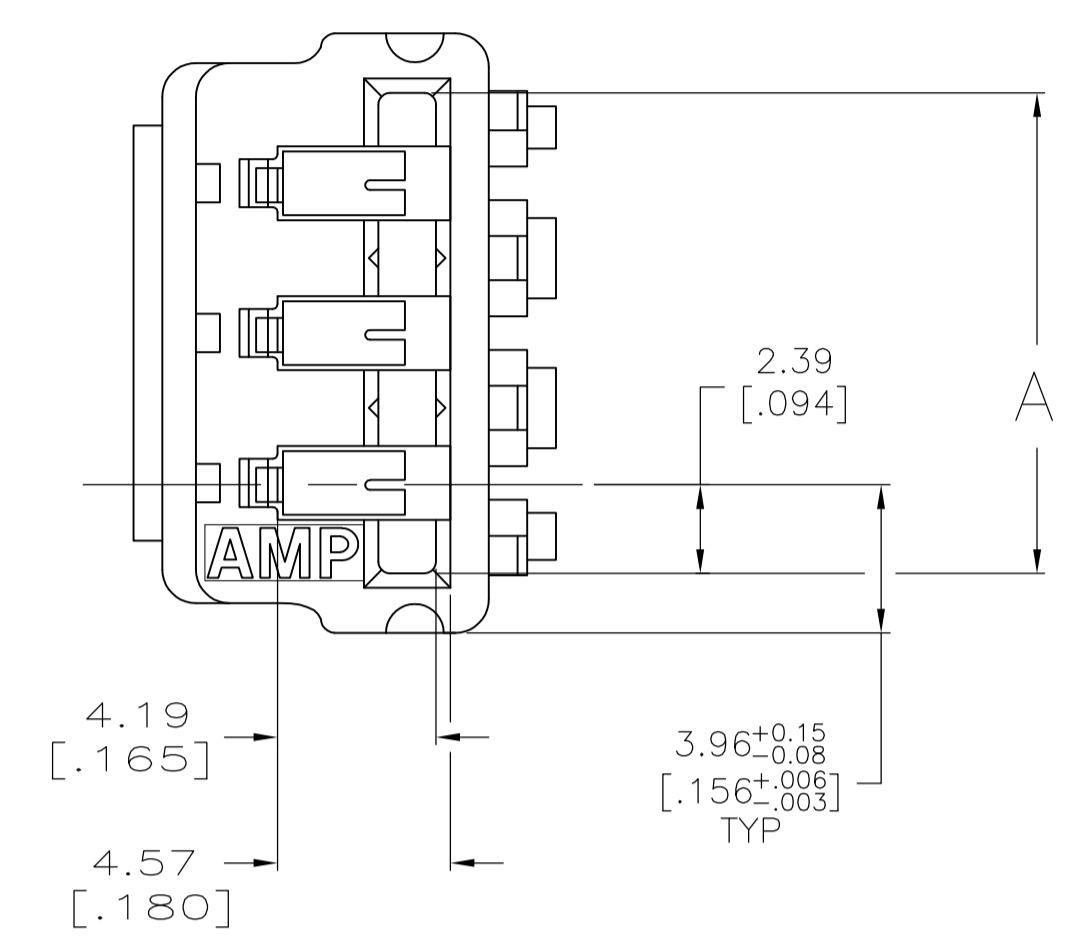
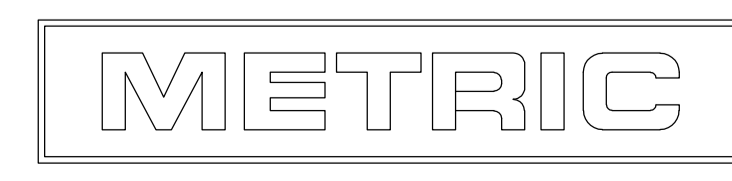


LOC		DIST		REVISIONS			
CM	0	REV	DATE	BY	CHK	APPV	
Y2	REVISED PER ECO-11-014117		12JUL11	HMR	SM		

- MATERIAL:
CONNECTOR: POLYESTER UL94V-0 (ORANGE).
CONTACTS: 0.30 [.012] THK COPPER ALLOY.
 - CONTACT ACCEPT #18 AWG WIRE WITH 2.41 [.095] MAXIMUM INSULATION DIAMETER.
 - CONNECTOR MATES WITH 1.57±0.20 [.062±.008] THICK PC BOARD.
 - HOUSING FEATURES: CLOSED END, STANDARD MOUTH WITHOUT MOUNTING EARS.
- \triangle CONTACT FINISH: BRIGHT TIN-LEAD 0.00203[.000080] MIN THK.
 \triangle CONTACT FINISH: MATTE WHISKER MITIGATED TIN 0.00203[.000080] MIN THICKNESS OVER NICKEL UNDERPLATE.
 \triangle OBSOLETE PARTS: OBSOLETE CIS STREAMLINING PER D.RENAUD/D.SINISI



CONTACT FINISH	B	A	NO. OF CIRCUITS	PART NUMBER
\triangle	95.50 [3.760]	95.91 [3.776]	24	5-640859-4
	91.54 [3.604]	91.95 [3.620]	23	5-640859-3
	87.58 [3.448]	87.99 [3.464]	22	5-640859-2
	83.62 [3.292]	84.02 [3.308]	21	5-640859-1
	79.65 [3.136]	80.06 [3.152]	20	5-640859-0
	71.73 [2.824]	72.14 [2.840]	18	4-640859-8
	59.84 [2.356]	60.25 [2.372]	15	4-640859-5
	47.96 [1.888]	48.36 [1.904]	12	4-640859-2
	36.07 [1.420]	36.47 [1.436]	9	3-640859-9
	24.18 [.952]	24.59 [.968]	6	3-640859-6
	12.29 [.484]	12.70 [.500]	3	3-640859-3
	SUPERSEDED \triangle	95.50 [3.760]	95.91 [3.776]	24
91.54 [3.604]		91.95 [3.620]	23	2-640859-3
87.58 [3.448]		87.99 [3.464]	22	2-640859-2
83.62 [3.292]		84.02 [3.308]	21	2-640859-1
79.65 [3.136]		80.06 [3.152]	20	2-640859-0
71.73 [2.824]		72.14 [2.840]	18	1-640859-8
59.84 [2.356]		60.25 [2.372]	15	1-640859-5
47.96 [1.888]		48.36 [1.904]	12	1-640859-2
36.07 [1.420]		36.47 [1.436]	9	1-640859-9
24.18 [.952]		24.59 [.968]	6	1-640859-6
12.29 [.484]		12.70 [.500]	3	1-640859-3
OBSOLETE SUPERSEDED \triangle				



THIS DRAWING IS A CONTROLLED DOCUMENT. DIN K. SALMON 10-23-91. CHK R. SWING 10-23-91. APVD - NAME -

STE TE Connectivity

PRODUCT SPEC: MTA-156
APPLICATION SPEC: CARD EDGE CONNECTOR ASSEMBLY, 18 AWG

SIZE: A1 CAGE CODE: 00779 DRAWING NO: 640859

WEIGHT: - RESTRICTED TO: -

CUSTOMER DRAWING SCALE: 5:1 SHEET: 1 OF 1 REV: Y2