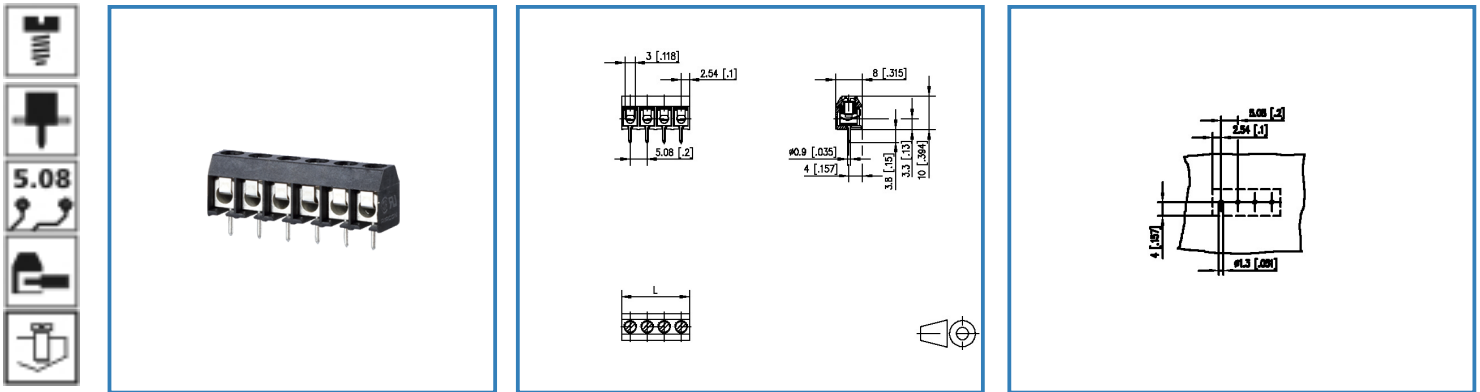


# Data Sheet

## RT016xxHBWC

### Illustration



see enlarged drawing at the end of the document

### Product specification

- screw type terminal block, solderable
- centerline 5.08 mm, direction of connection 90°
- wire protector, fittable without loss of poles
- color black

© 2017 METZ CONNECT - Technische Änderungen vorbehalten! Subject to modifications! Sous réserve de modifications techniques!



# Data Sheet

## RT016xxHBWC

### Technical Data



#### General Data

Tightening torque SEV	0.4 Nm		
Tightening torque UL	3.5 lb-in		
Solder pin length	3.8 mm		
min. number of poles	2		
max. number of poles	22		
Insulating material class	CTI 600		
clearance/creepage dist.	2.7 mm		
protection category	IP 10		
Overvoltage category	III	III	II
Pollution degree	3	2	2
Rated voltage	63.0 V	320.0 V	320.0 V
Rated test voltage	2.5 kV	2.5 kV	2.5 kV

#### Connection data

Rated wiring solid wire	0.34 - 2.0 mm <sup>2</sup> / AWG 28 - 14
Rated wiring stranded wire	0.34 - 2.0 mm <sup>2</sup> / AWG 28 - 14

#### Approvals

 V / A / AWG	300 / 15 / 28 - 14
 1.5 mm <sup>2</sup>	130 V / 13 A / T60

#### Material

insulating material	PA66
flammability class	V0
Glow-Wire Flammability GWFI	960
Glow-Wire Flammability GWIT	775
terminal body material	CuZn
terminal body surface	Ni + Sn
screw surface	Zn Cr(VI)-frei/free
wire protector material	CuSn
wire protector surface	Sn

# Data Sheet

## RT016xxHBWC

Page 3/5

P/N

311011xx

xx=number of poles

2017/05/04

screw thread	M3
--------------	----

### Climatic properties

upper limit temperature	105 °C
lower limit temperature	-40 °C

### General

solderability	Acc. to JEDEC JESD22-B102E 245°C/5s
Tolerance	ISO 2768 -mH

© 2017 METZ CONNECT - Technische Änderungen vorbehalten! Subject to modifications! Sous réserve de modifications techniques!



# Data Sheet

## RT016xxHBWC

Page 4/5

P/N

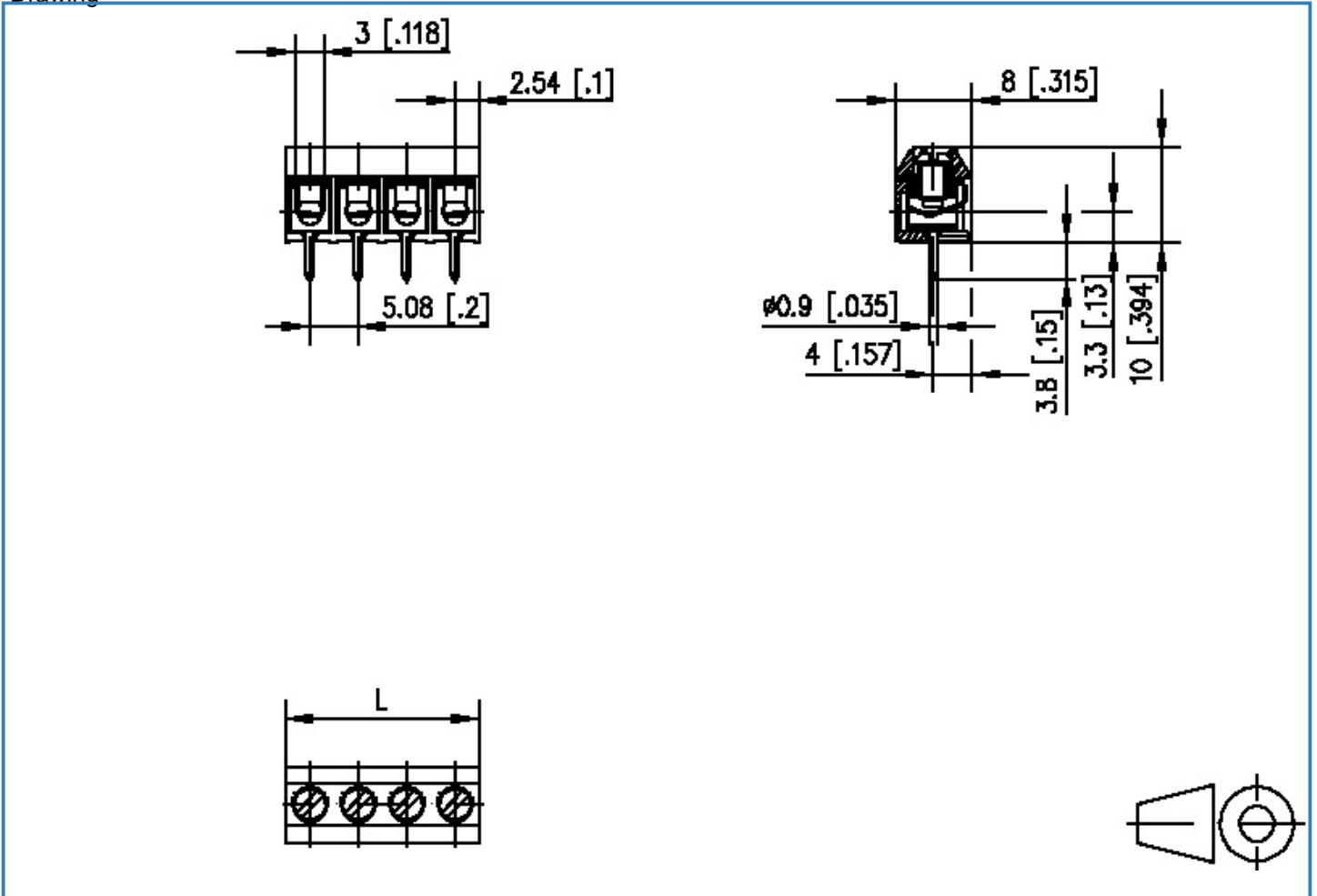
311011xx

xx=number of poles

2017/05/04

### Illustration

Drawing



$$L = (\text{pole size} - 1) \times \text{centerline} + 5.08 [0.2]$$



# Data Sheet

## RT016xxHBWC

Page 5/5

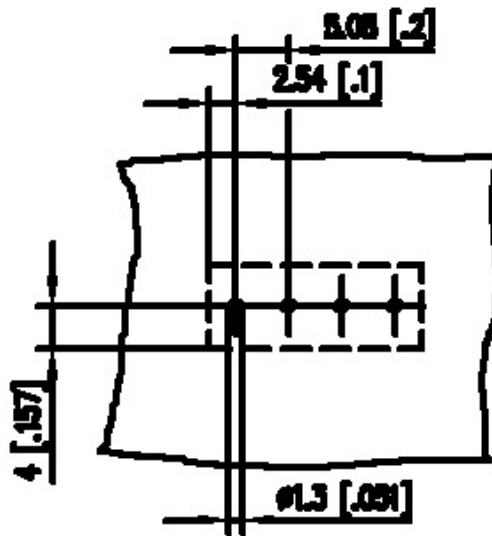
P/N

311011xx

xx=number of poles

2017/05/04

PCB Layout



© 2017 METZ CONNECT - Technische Änderungen vorbehalten! Subject to modifications! Sous réserve de modifications techniques!

