

4

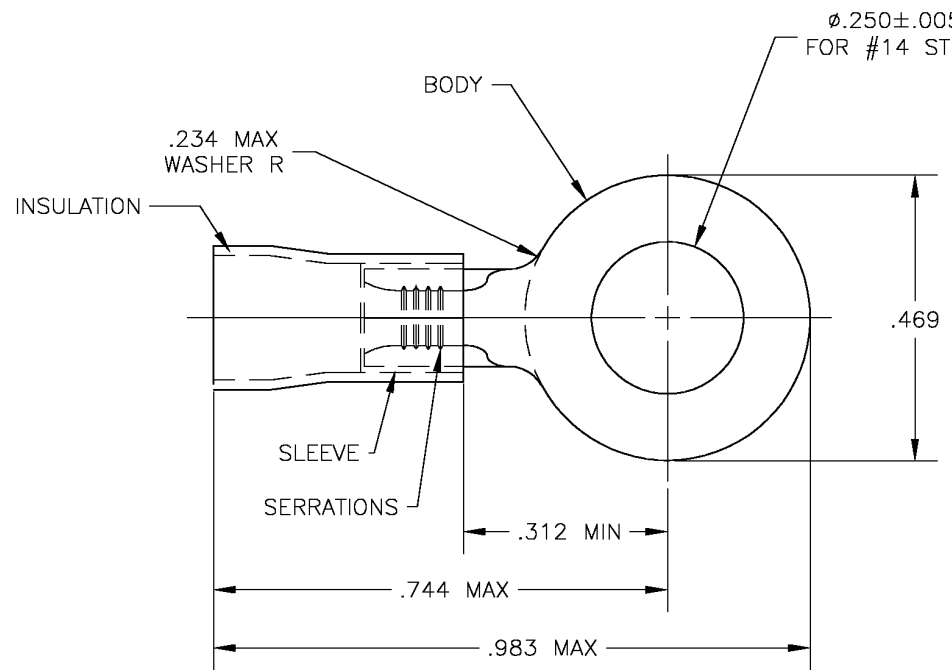
3

2

1

THIS DRAWING IS UNPUBLISHED. RELEASED FOR PUBLICATION
 © COPYRIGHT - BY TYCO ELECTRONICS CORPORATION. ALL RIGHTS RESERVED.

LOC	DIST	REVISIONS			
P	LTR	DESCRIPTION	DATE	DWN	APVD
G	14	H	REDRAWN PER 0G3A-0603-03	03OCT03	JR MS



- 1 TONGUE THK IS .070±.003
- 2 BODY: COPPER PER ASTM B152
TIN PLATE PER ASTM B545
ANNEALED
SLEEVE: COPPER PER ASTM B152
TIN PLATE PER ASTM B545
ANNEALED
INSULATION: PVC, COLOR - GREEN
- 3 FOR .150 TO .200 WIRE INSULATION DIA

OBSOLETE	2 320699 1	320699-0
	PART NO ON TAPE	PART NO

THIS DRAWING IS A CONTROLLED DOCUMENT.		DWN	jr ruth	03OCT03	tyco Electronics	Tyco Electronics Corporation Harrisburg, PA 17105	
DIMENSIONS: INCHES		CHK	MJ SPICER	03OCT03		NAME	
TOLERANCES UNLESS OTHERWISE SPECIFIED:		APVD	MJ SPICER	03OCT03	PRODUCT SPEC		TERMINAL, PLASTI-BOND, RING TONGUE, WIRE SIZE : 20-16 H.D.
0 PLC ± -		APPLICATION SPEC		SIZE		CAGE CODE	DRAWING NO
1 PLC ± -		WEIGHT		A3		00779	C=320699
2 PLC ± -		CUSTOMER DRAWING		SCALE		5:1	SHEET 1 OF 1
3 PLC ± .008				REV		H	
4 PLC ± -							
ANGLES ± 5'							
MATERIAL	- 2						
FINISH	- 2						

AMP 1470-19 REV 31MAR2000

C:\ENGapps\TECacad\4.0\bin\