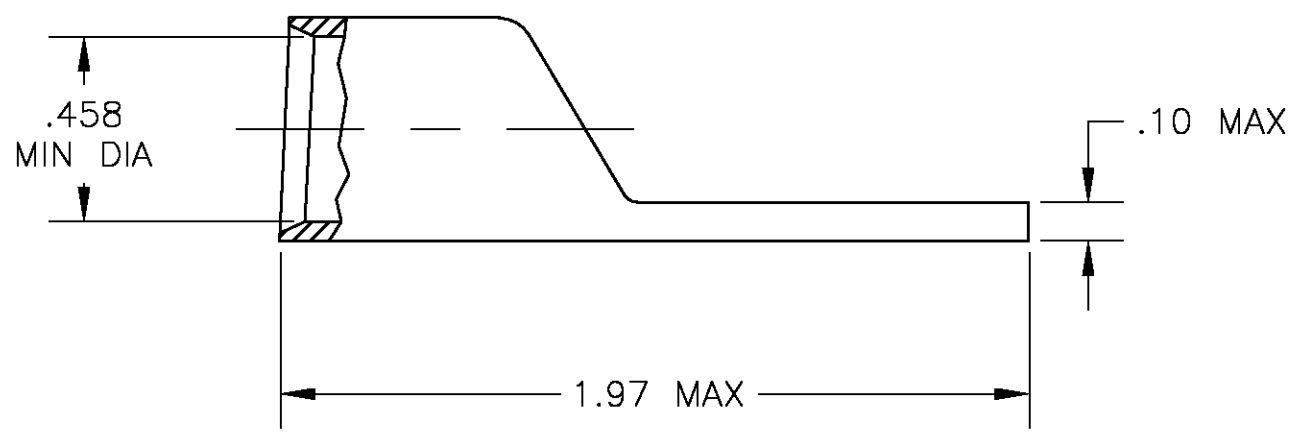
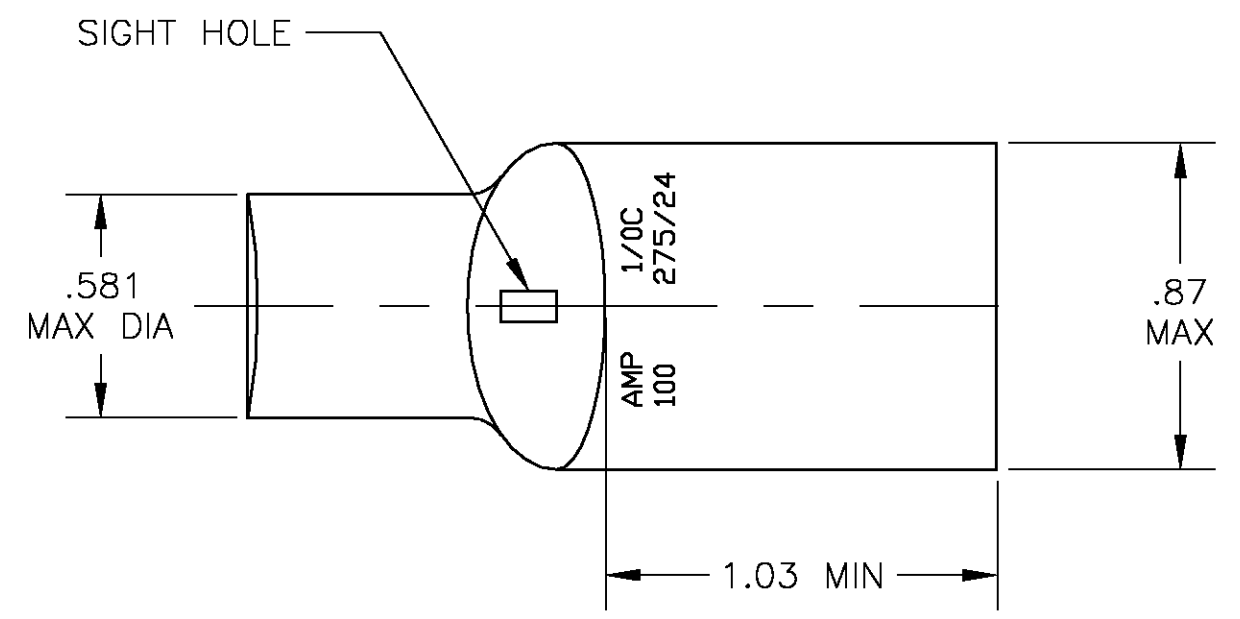


THIS DRAWING IS UNPUBLISHED. RELEASED FOR PUBLICATION
 © COPYRIGHT BY TYCO ELECTRONICS CORPORATION. ALL RIGHTS RESERVED.

LOC	DIST	REVISIONS					
		P	LTR	DESCRIPTION	DATE	DWN	APVD
G	86		U	REDRAWN PER 0G3A-0396-04	02JUN04	JR	MS

- 1 WIRE RANGE IS 83,700-119,500 CMA
- △2 COPPER PER ASTM B-75, ANNEALED
- △3 .000150 MIN TIN PER ASTM B-545



325300
PART NO

THIS DRAWING IS A CONTROLLED DOCUMENT.		DWN jr_ruth 02JUN04	Tyco Electronics Corporation Harrisburg, PA 17105	
DIMENSIONS: INCHES		CHK MJ SPICER 02JUN04		
		APVD MJ SPICER 02JUN04	NAME TERMINAL, AMPPOWER, WIRE SIZE: 1/0 AWG	
TOLERANCES UNLESS OTHERWISE SPECIFIED:		PRODUCT SPEC	SIZE	
0 PLC ± -	1 PLC ± -	APPLICATION SPEC	CAGE CODE	DRAWING NO
2 PLC ± -	3 PLC ± .008	—	—	—
4 PLC ± -	ANGLES ± 5'	—	—	RESTRICTED TO
MATERIAL		WEIGHT	—	—
— △2		.044 LB	A3 00779	—
FINISH		CUSTOMER DRAWING		—
— △3		SCALE 2:1		SHEET 1 OF 1
		REV U		