

4

3

2

1

THIS DRAWING IS UNPUBLISHED.

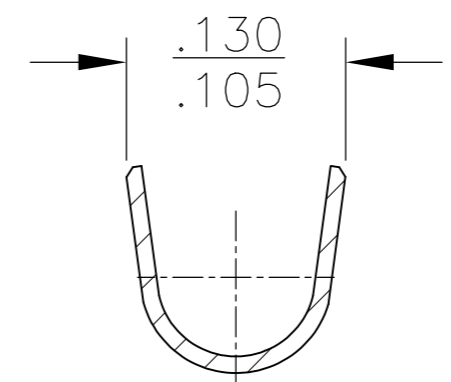
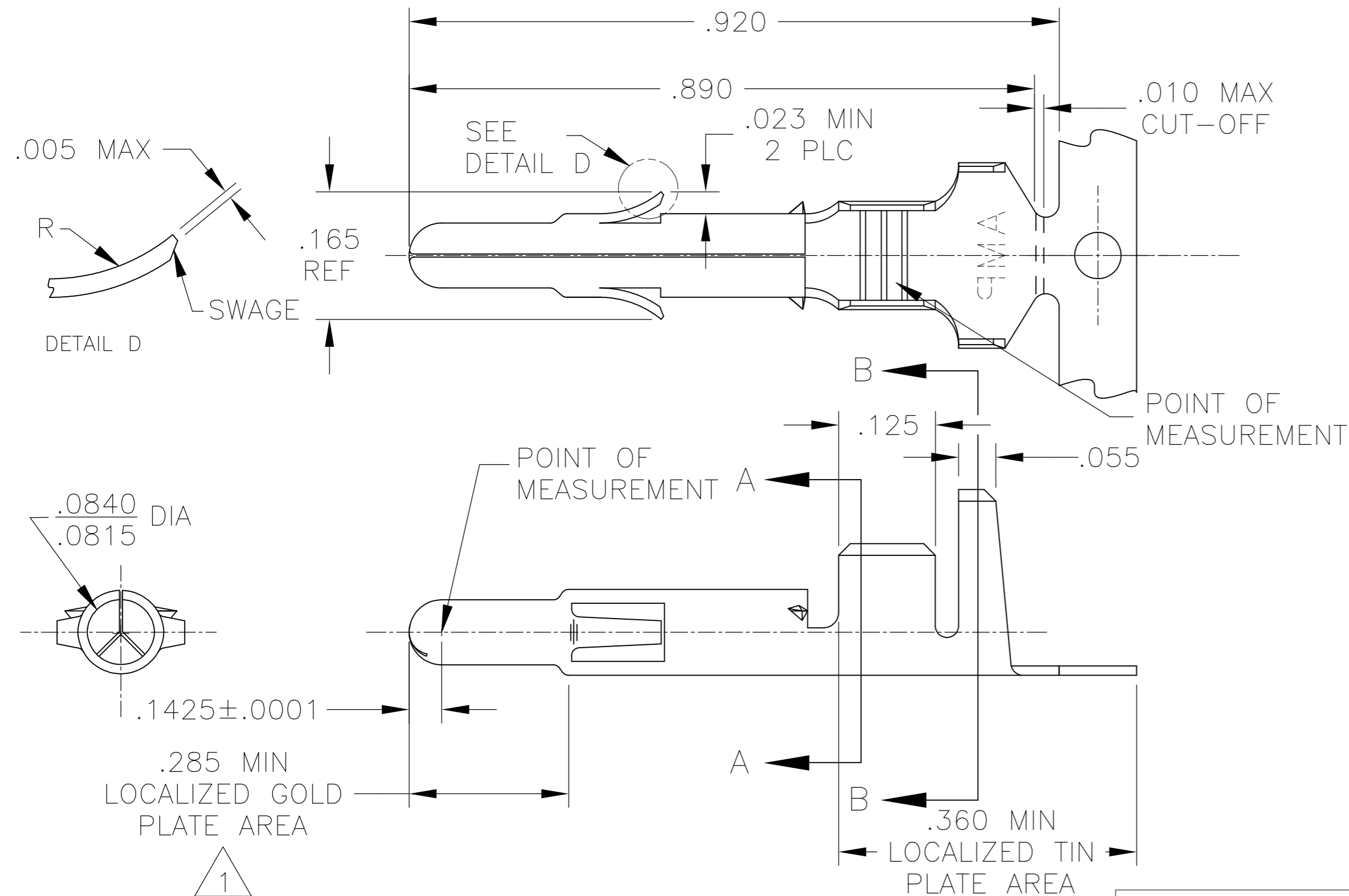
RELEASED FOR PUBLICATION

© COPYRIGHT - TE Connectivity Ltd.

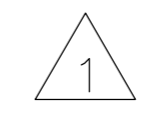
ALL RIGHTS RESERVED.

REVISIONS

P	LTR	DESCRIPTION	DATE	DWN	APVD
P1		REVISED PER ECR-18-000509	17JAN2018	BDA	KR



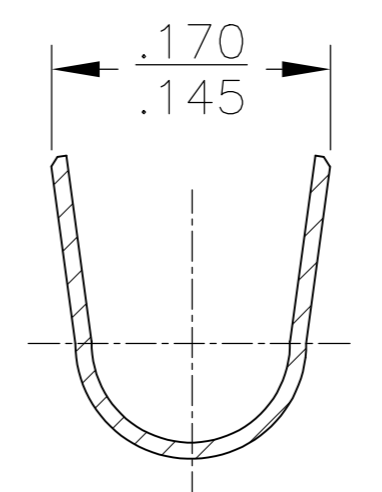
SECTION A-A



.000030 MIN GOLD AT POINT OF MEASUREMENT IN GOLD PLATE AREA;  
.000030 MIN TIN IN TIN PLATE AREA;  
.000050 NICKEL UNDERPLATE ON ENTIRE CONTACT



INSULATION RANGE: .060-.130 DIA



SECTION B-B

-	1	.012 BRASS	350654-7
350669-1	PRE-TIN	.012 BRASS	350654-1
LOOSE PIECE (REF)	FINISH	MATERIAL	PART NUMBER

THIS DRAWING IS A CONTROLLED DOCUMENT.

DWN BASAVARAJA D A 17JAN2018

CHK RANDOLPH, KURT 17JAN2018

APVD RANDOLPH, KURT 17JAN2018

PRODUCT SPEC

APPLICATION SPEC

WEIGHT

CUSTOMER DRAWING



NAME

PIN, GROUNDING

UNIVERSAL MATE-N-LOK

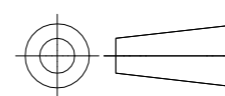
SIZE CAGE CODE DRAWING NO RESTRICTED TO

A3 00779 C=350654

SCALE 5:1 SHEET 1 OF 1 REV P1

DIMENSIONS: INCHES

TOLERANCES UNLESS OTHERWISE SPECIFIED:



0 PLC	± -
1 PLC	± -
2 PLC	± -
3 PLC	± .015
4 PLC	± -
ANGLES	± -

INSULATION RANGE: 2

WIRE RANGE: 20-14 AWG

MATERIAL

FINISH