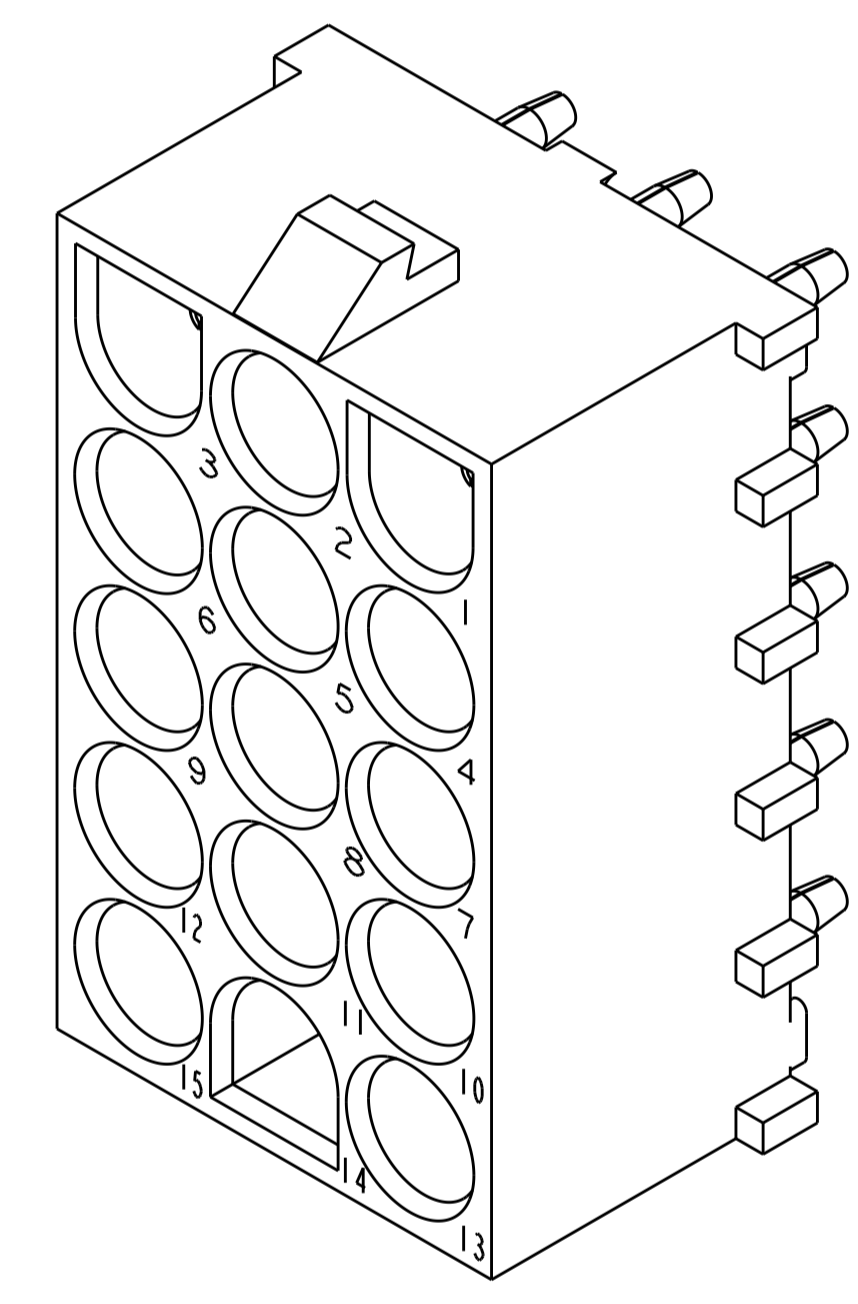
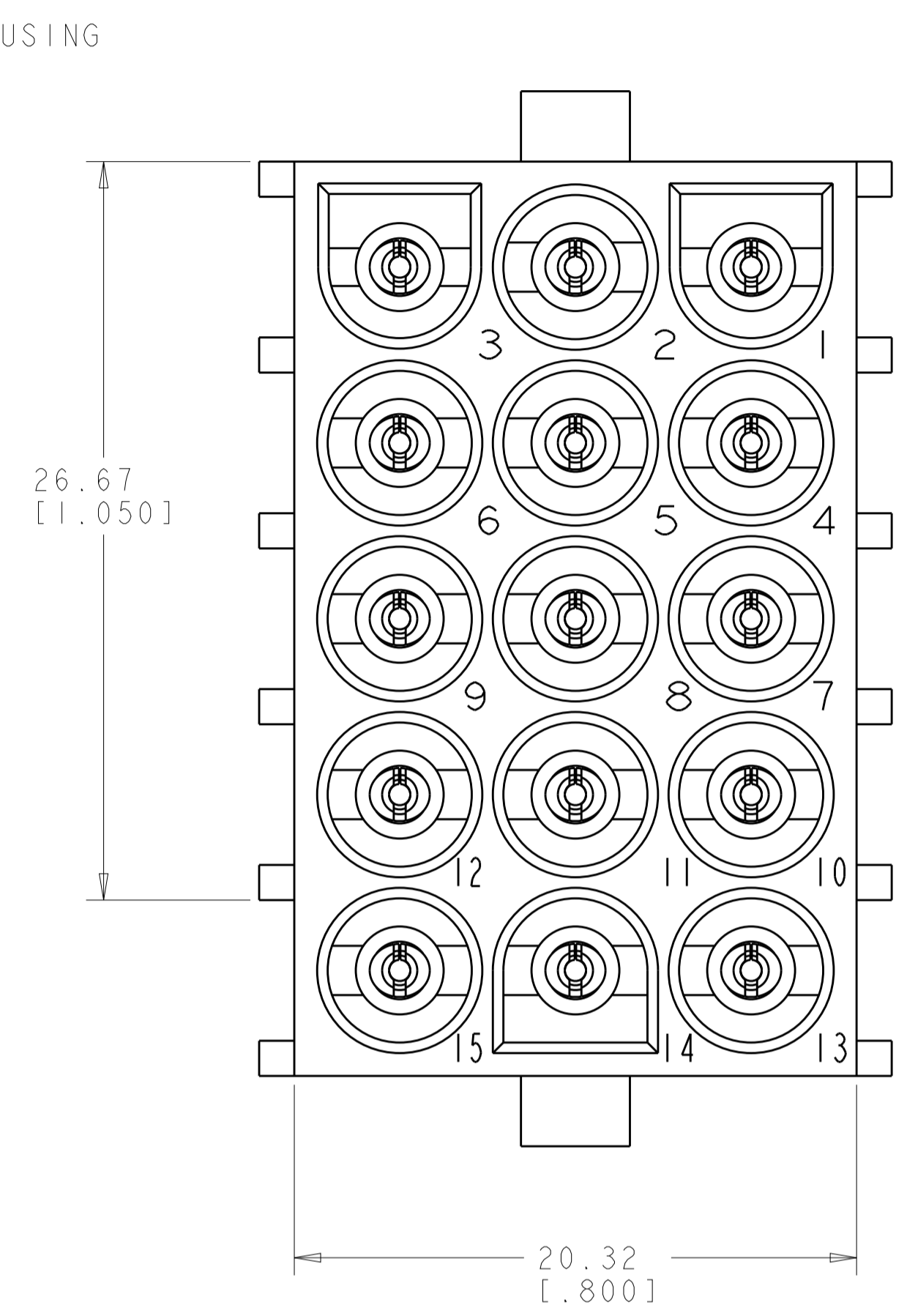
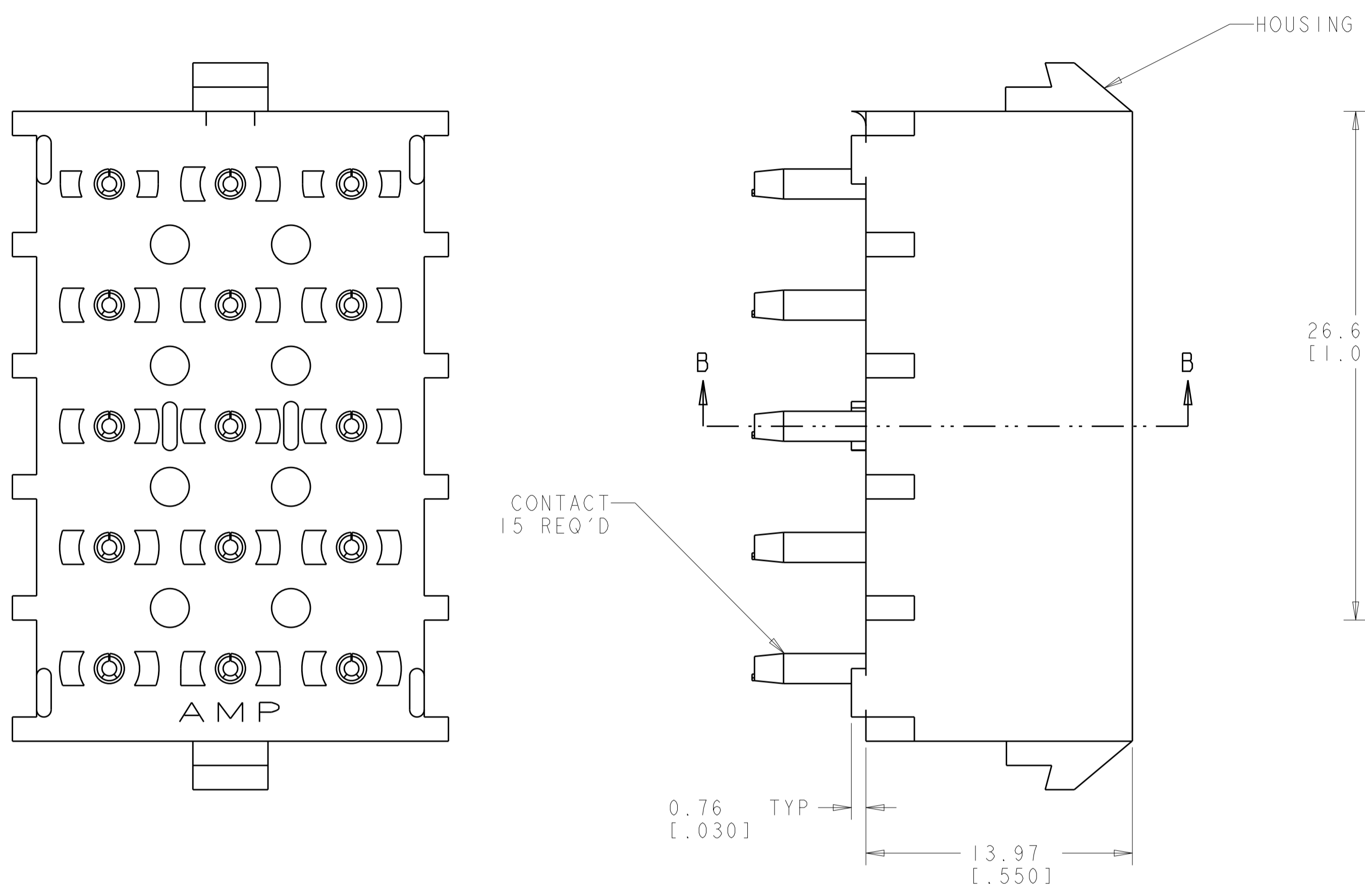
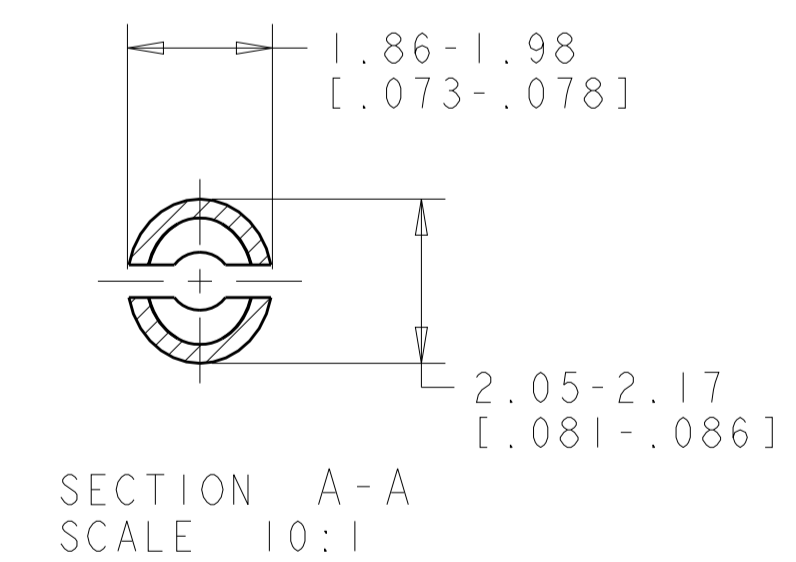
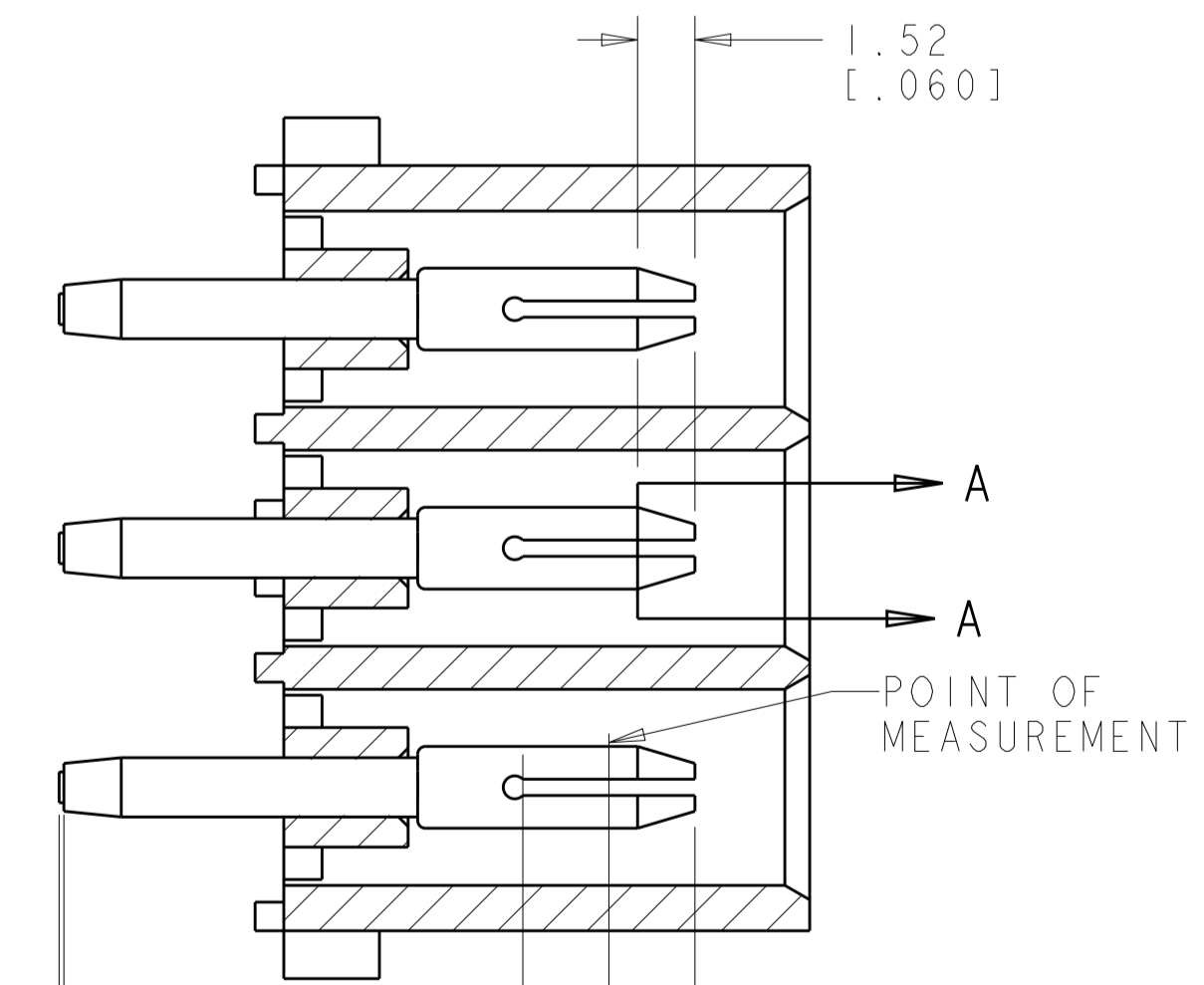
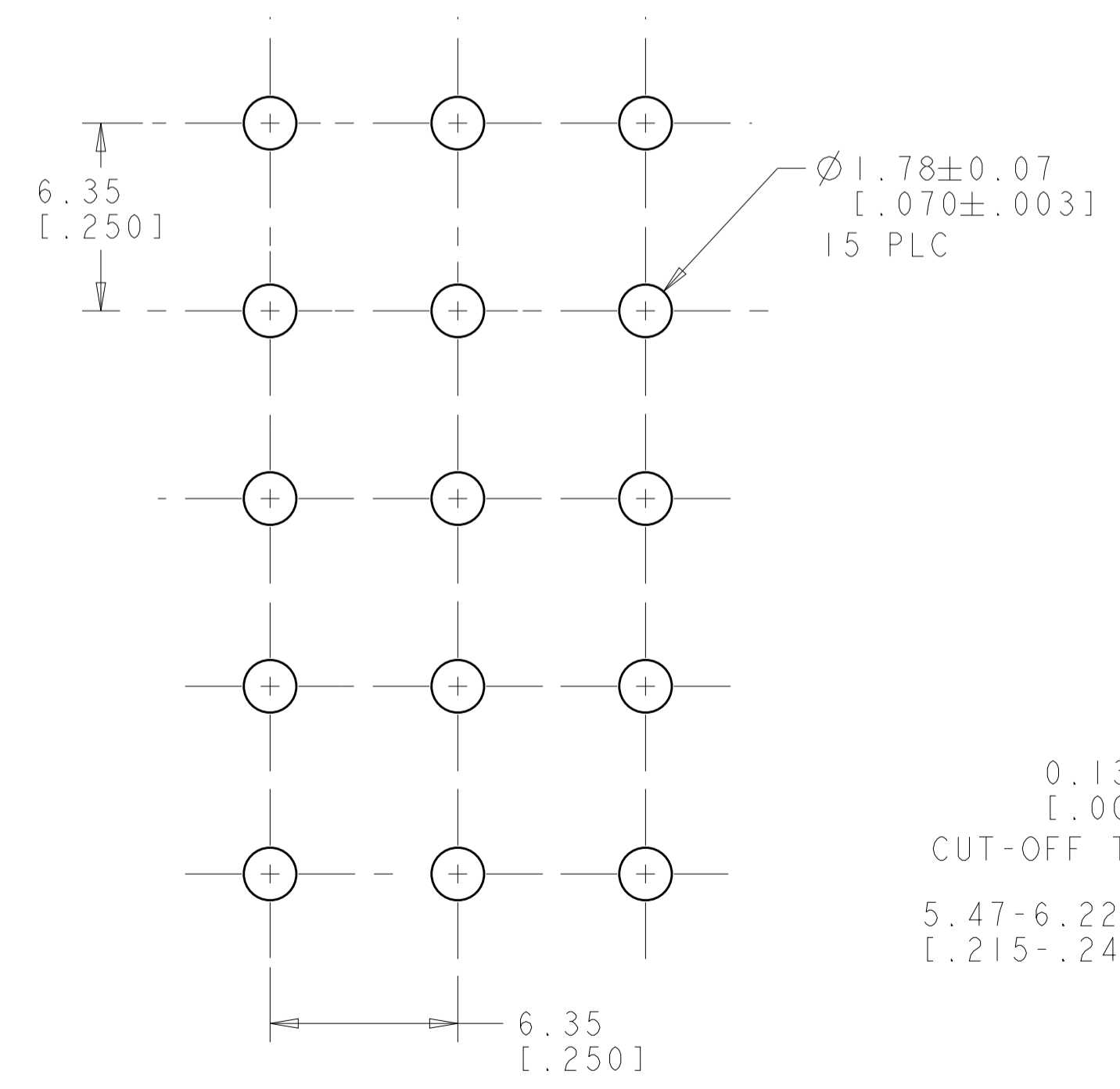


| LOC | DIST | REV | DATE      | BY | APP'D |
|-----|------|-----|-----------|----|-------|
| CM  | 00   | M2  | 24JAN2013 | KH | TM    |

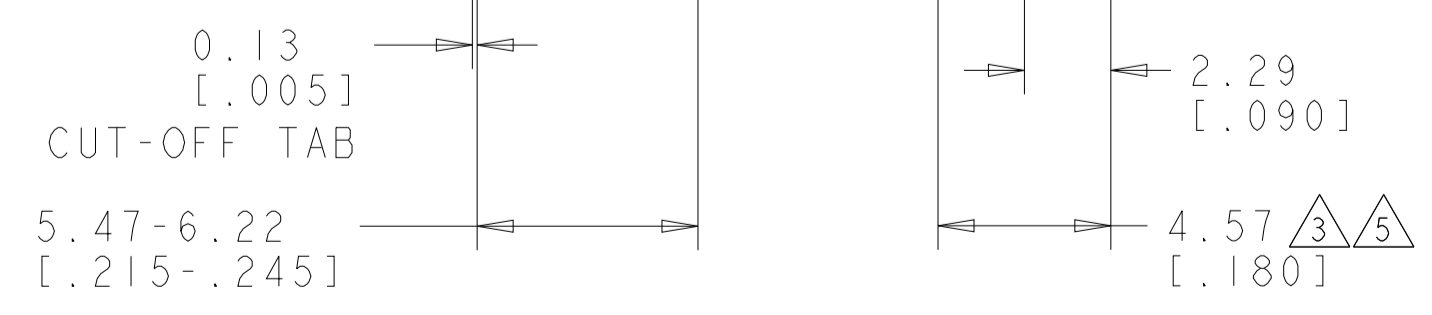
- MATES WITH HOUSING 350736.
- PARTS COMPLY TO AMP SOLDERABILITY SPECIFICATION 109-11-3.
- CONTACT IS PLATED OVERALL WITH 0.00127 [.000050] NICKEL, THEN 0.00076 [.000030] GOLD OVER CONTACT LENGTH INDICATED AND TIN LEAD ON SOLDER TAIL END.
- CIRCUIT IDENTIFICATION CHARACTERS ARE ADJACENT TO THE INDICATED CAVITIES, BUT LOCATION AND ORIENTATION MAY DIFFER FROM PRINT.
- CONTACT IS PLATED OVERALL WITH 0.00127 [.000050] NICKEL, THEN 0.00076 [.000030] GOLD OVER CONTACT LENGTH INDICATED AND MATTE TIN ON SOLDER TAIL END.
- DIMENSIONS IN BRACKETS ARE IN INCHES.
- SUPERSEDED BY 350738-4



3 DIMENSIONAL MODEL  
SCALE 4:1



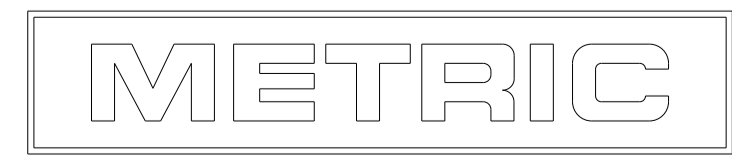
SECTION A-A  
SCALE 10:1



SECTION B-B

RECOMMENDED MOUNTING HOLE PATTERN FOR 1.57 [.062] THICK P.C. BOARD HOLE THAT CORRESPONDS TO REMOVED CONTACT CAN BE OMITTED

| PIN CONTACT MATERIAL AND FINISH | HOUSING MATERIAL AND COLOR | PART NUMBER |
|---------------------------------|----------------------------|-------------|
| PHOSPOR BRONZE, GOLD            | NYLON, UL94V-0, NATURAL    | 350738-4    |
| PHOSPOR BRONZE, GOLD            | NYLON, UL94V-0, NATURAL    | 350738-2    |
| PHOSPOR BRONZE, PRE-TIN         | NYLON, UL94V-0, NATURAL    | 350738-1    |



|   |   |   |   |
|---|---|---|---|
| THIS DRAWING IS A CONTROLLED DOCUMENT.  |   | DWG: K. WHITAKER 05OCT2005<br>CHK: S. RIDGILL 05OCT2005<br>APVD: S. RIDGILL 05OCT2005 | NAME: PIN HEADER ASSEMBLY, 15 CIRCUIT, UNIVERSAL MATE-N-LOK(TM)<br>SIZE: A1<br>CAGE CODE: 00779<br>DRAWING NO: 350738 |
| DIMENSIONS: mm [INCHES]<br>TOLERANCES UNLESS OTHERWISE SPECIFIED:<br>0 PLC ±<br>1 PLC ±0.131(.005)<br>2 PLC ±<br>3 PLC ±<br>4 PLC ±<br>ANGLES: 40°/30°<br>FINISH: SEE TABLE | PRODUCT SPEC:<br>APPLICATION SPEC:<br>WEIGHT:<br>CUSTOMER DRAWING | SCALE: 1:1<br>SHEET: 1 OF 1<br>REV: M2  | RESTRICTED TO:  |