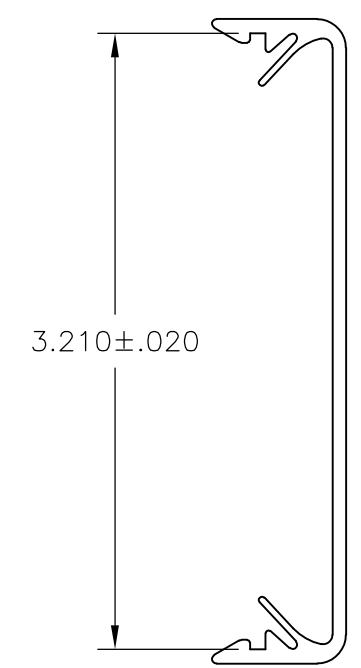
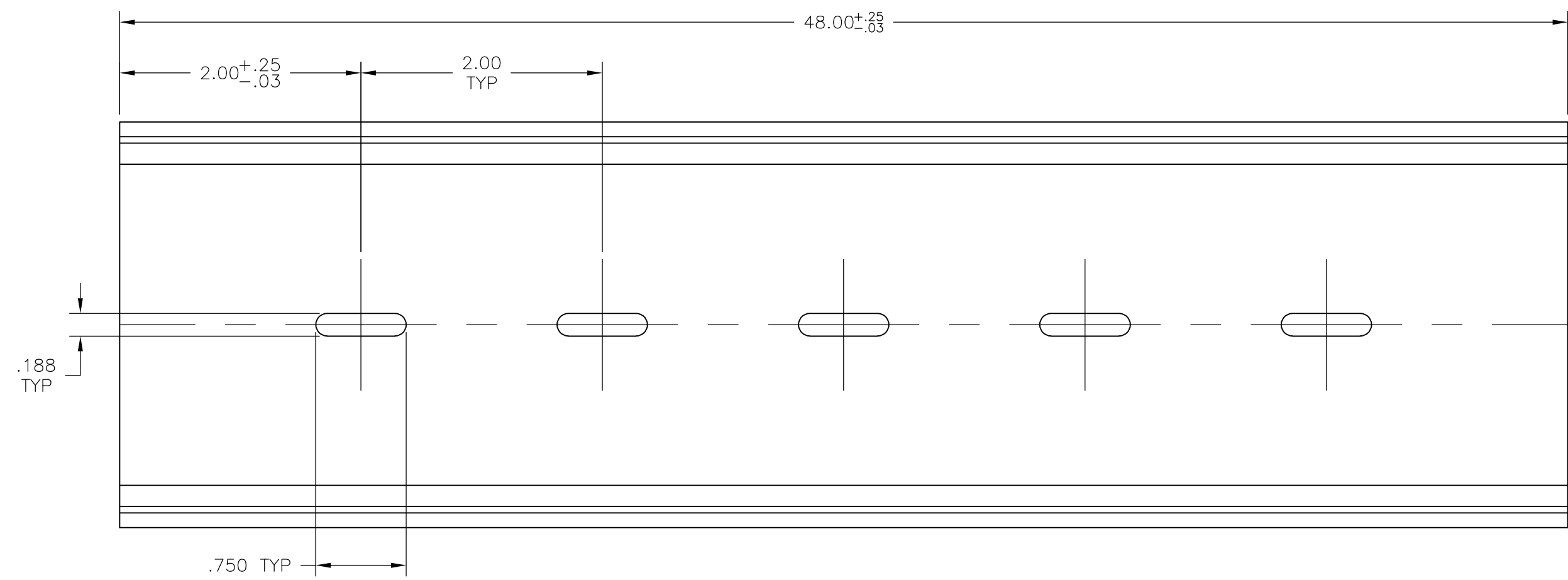


THIS DRAWING IS UNPUBLISHED. RELEASED FOR PUBLICATION
 © COPYRIGHT BY TYCO ELECTRONICS CORPORATION. ALL INTERNATIONAL RIGHTS RESERVED.

LOC		DIST		REVISIONS			
P	LTR	DESCRIPTION	DATE	DWN	APVD		
-	-	A	-	5/6/09	SS	CR	

1. ALL DIMENSIONS ARE ±.015 UNLESS OTHERWISE NOTED.
2. MATERIAL: RIGID, PVC, COLOR: GRAY
3. RECOMMENDED PC BOARD WIDTH 3.25".



3TK2-48	3-1437685-1
CATALOG NUMBER	PART NUMBER

THIS DRAWING IS A CONTROLLED DOCUMENT.		DWN	S SCHLEGEL	5/6/09	Tyco Electronics Corporation Harrisburg, PA 17105-3608	
DIMENSIONS: INCHES		CHK	C RICARD	5/6/09	NAME: 3TK2 SNAPTRACK	
TOLERANCES UNLESS OTHERWISE SPECIFIED:		APVD	C RICARD	5/6/09	PRODUCT SPEC: -	
0 PLC ± -		APPLICATION SPEC: -		RESTRICTED TO: -		
1 PLC ± -		WEIGHT: -		SIZE: A2		
2 PLC ± .02		CUSTOMER DRAWING		CAGE CODE: 00779		
3 PLC ± .005		SCALE: NTS		DRAWING NO: 3-1437685-1		
4 PLC ± -		SHEET: 1 of 1		REV: A		
ANGLES ± 1°		FINISH: -		REV: A		

3-1437685-1