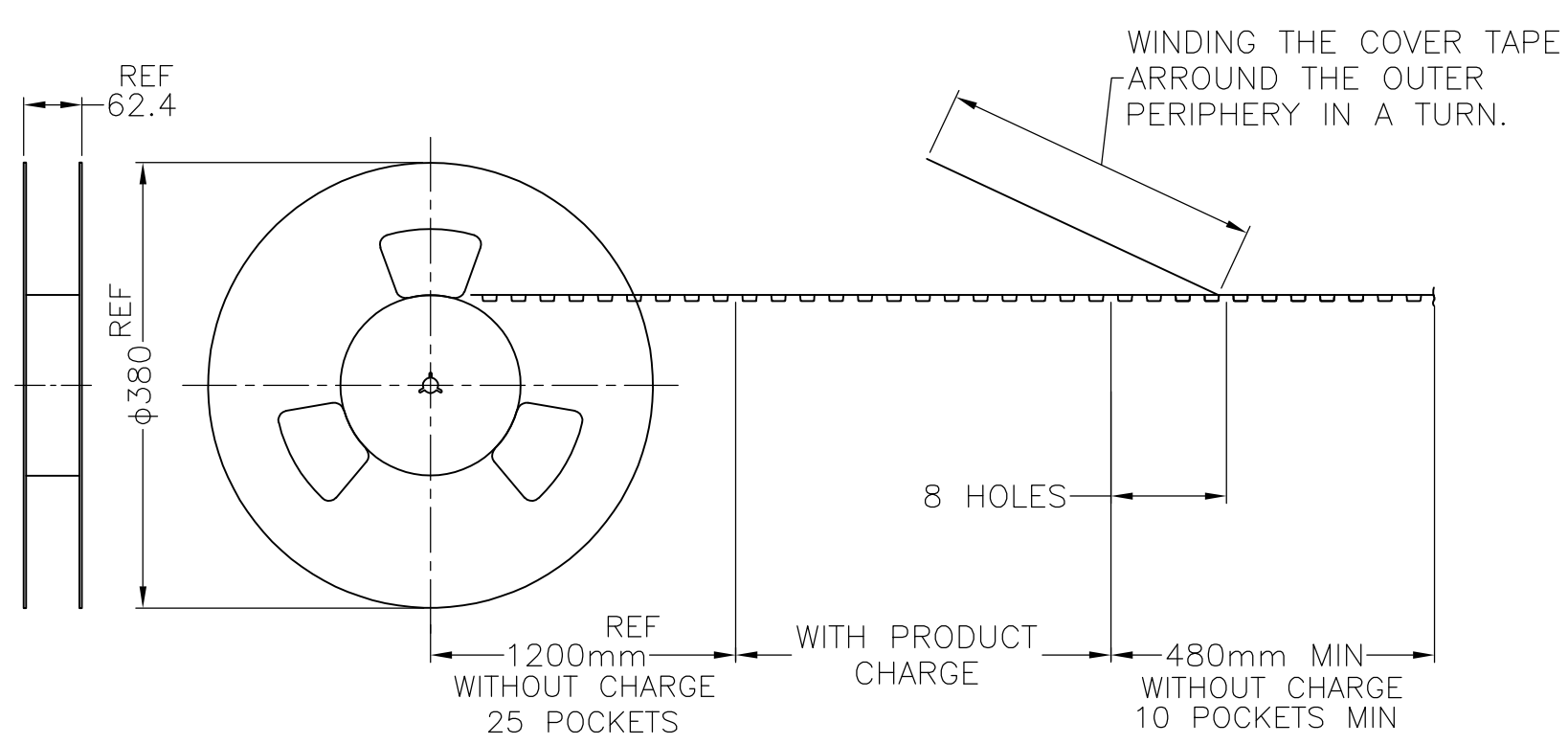
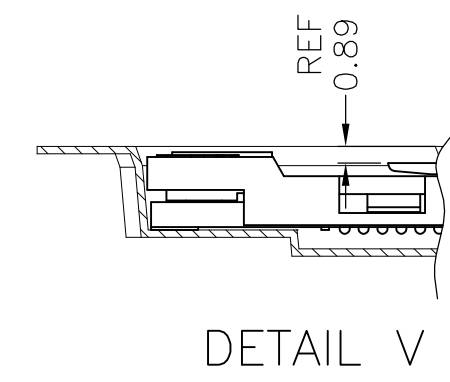
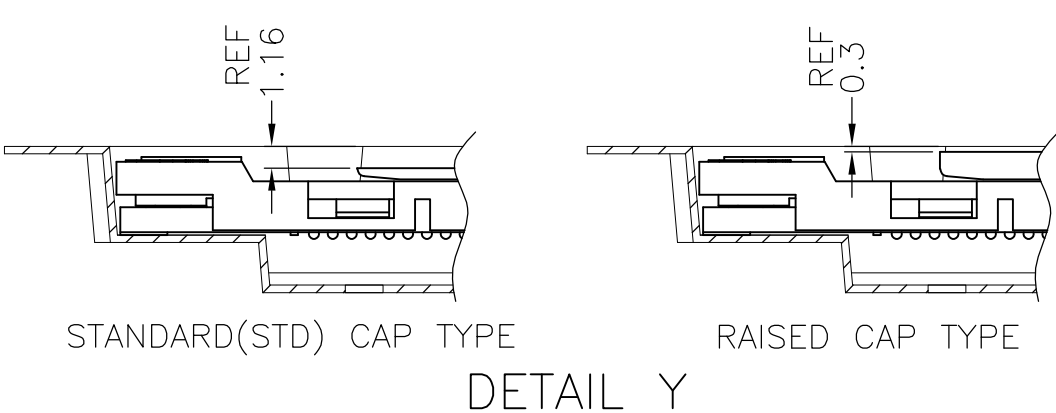
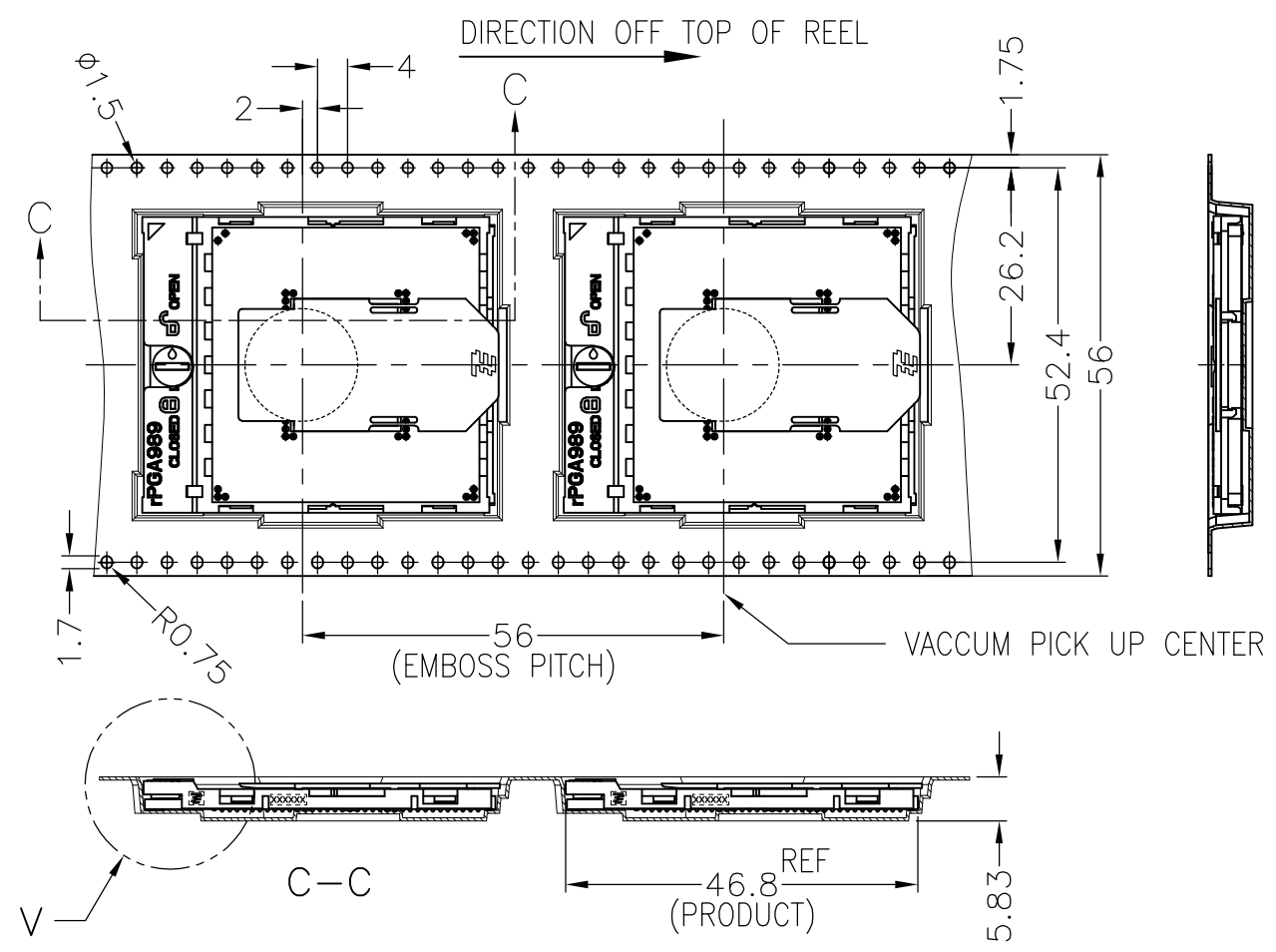
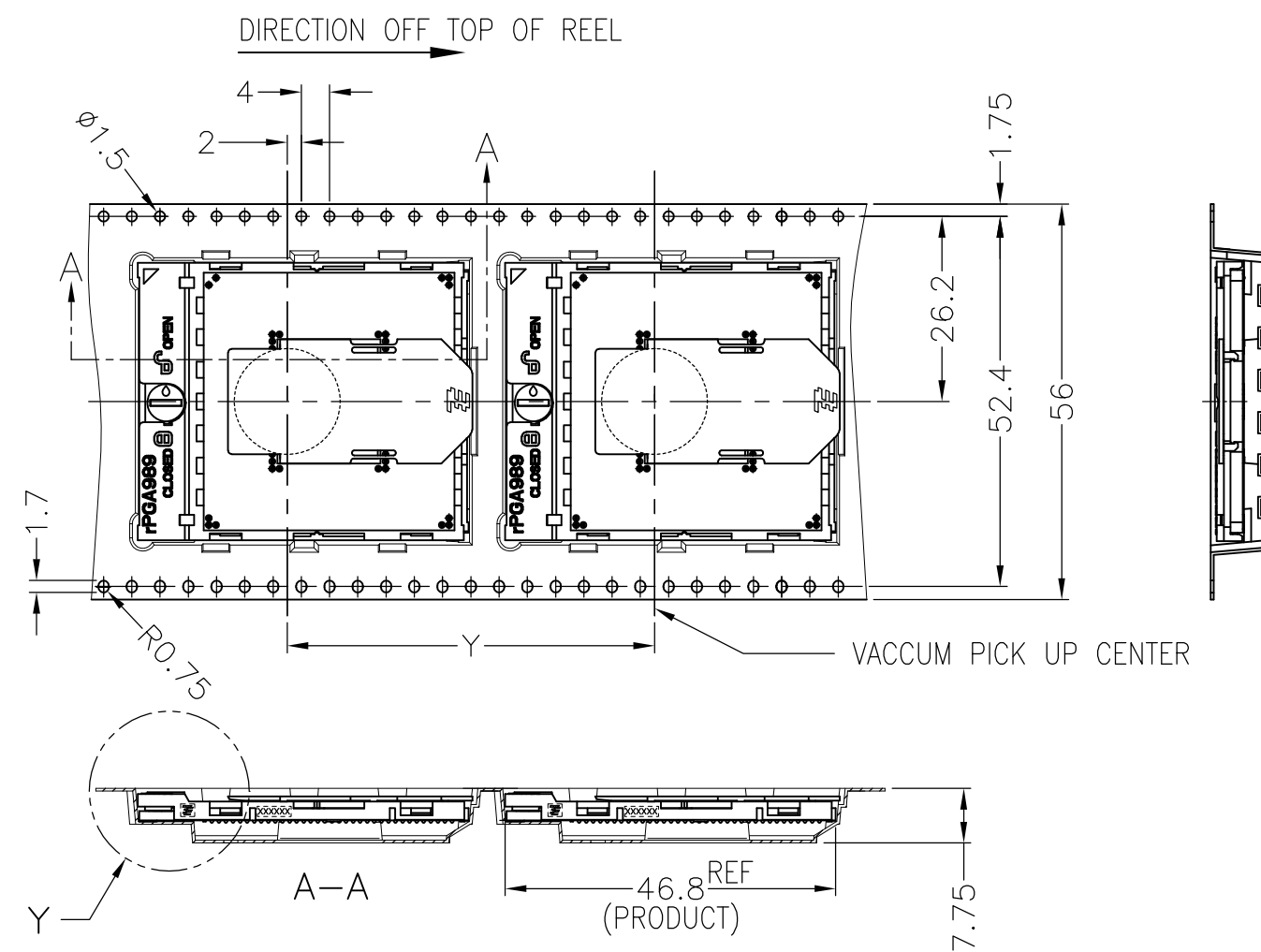


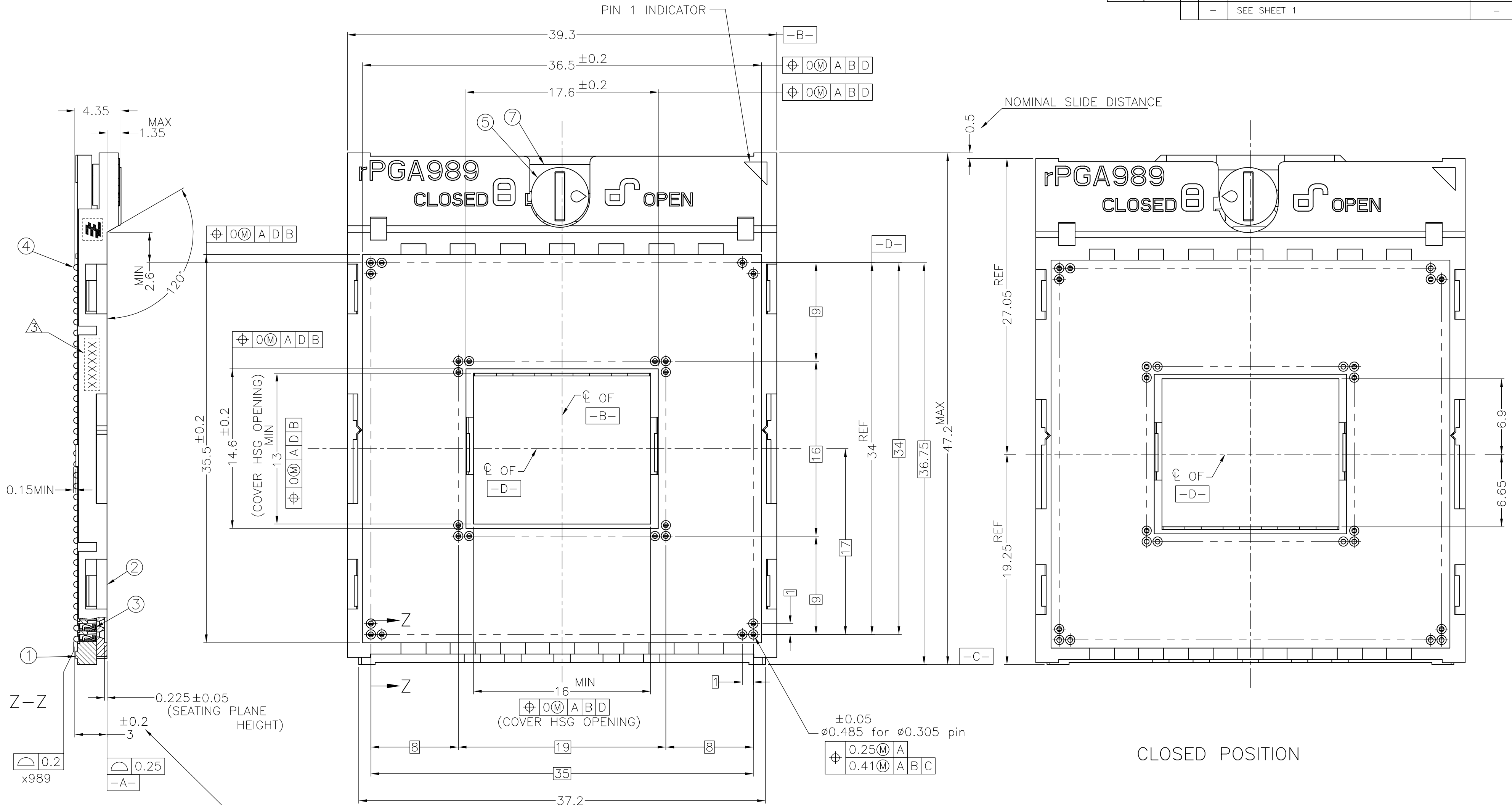


LOC		DIST		REVISONS			DATE	DWN	APVD
P	LTR	DESCRIPTION							
-	-	SEE SHEET 1			-	-	-	-	-



THIS DRAWING IS A CONTROLLED DOCUMENT.		DWN	TE Connectivity	
DIMENSIONS: 単位: 種 mm		CHK	SOCKET ASSY	
TOLERANCES UNLESS OTHERWISE SPECIFIED: 一般公差		APVD	rPGA989 & rPGA988X	
0-PLC ±0.3		PRODUCT SPEC	SIZE	CAGE CODE
1-PLC		製品規格	A2	00779
2-PLC		APPLICATION SPEC	DRAWING NO	RESTRICTED TO
3-PLC		取付適用規格	番号	
4-PLC			C=2013620	
ANGLES ±1°		WEIGHT		
FINISH 仕上		CUSTOMER DRAWING	SCALE	SHEET
			NTS	2 of 7
				REV E4

LOC		DIST		REVISIONS			DATE	DWN	APVD
P	LTR	DESCRIPTION							
-	-	SEE SHEET 1			-	-	-	-	-



SOCKET HEIGHT AFTER REFLOW

1. MATERIAL

- ① BASE HOUSING : HIGH TEMP, THERMOPLASTIC, UL94V-0
  - ② COVER HOUSING : HIGH TEMP, THERMOPLASTIC, UL94V-0
  - ③ CONTACT : COPPER ALLOY  
FINISH : 0.00038 MIN Au PL. AT CONTACT AREA ON ALL OVER Ni UNDER PL. 0.00127 MIN.
  - ④ SOLDER BALL : Sn/Ag/Cu
  - ⑤ CAM : STAINLESS STEEL
  - ⑥ BASE PLATE : STAINLESS STEEL
  - ⑦ SLIDE PLATE : STAINLESS STEEL
  - ⑧ WASHER : STAINLESS STEEL  
FINISH : W/O PL. FOR 2013620-1  
W/O PL. OR BLACK Ni PL. FOR OTHERS
  - ⑨ PnP CAP : HIGH TEMP, THERMOPLASTIC, UL94V-0, BLACK
- △ CAM OPERATION ANGLE : 180DEG  
 △ INDICTED DATE CODE ON THE HSG

rPGA989 AS SHOWN  
CAP IS REMOVED

4. LOW HALOGEN SPEC:
- CHLORINE (Cl): 900 ppm MAX.
  - BROMINE (Br): 900 ppm MAX.
  - CHLORINE (Cl) + BROMINE (Br): 1500 ppm MAX.

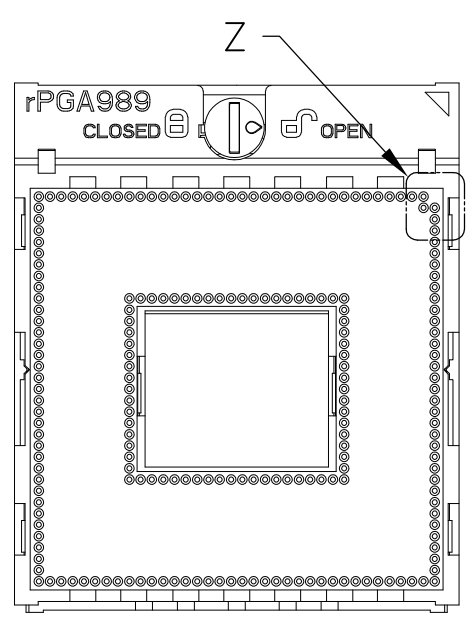
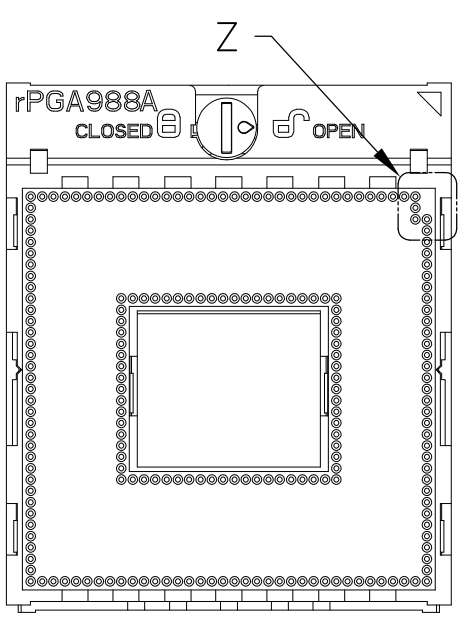
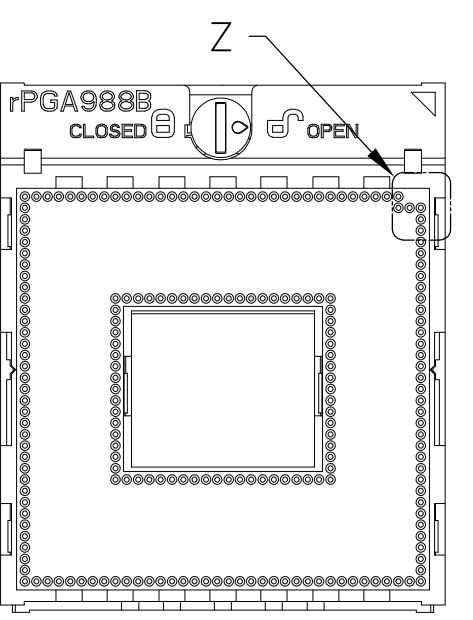
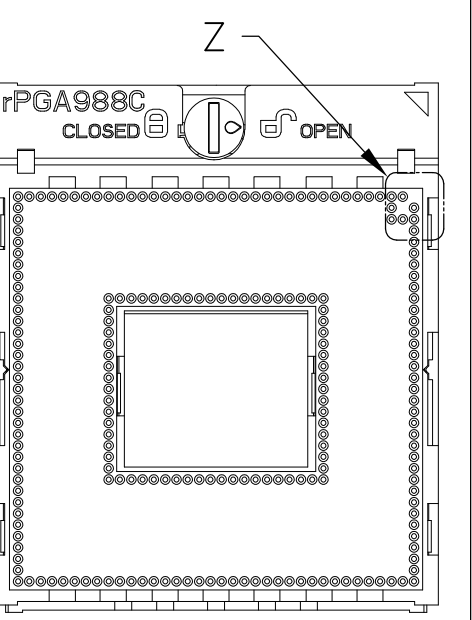
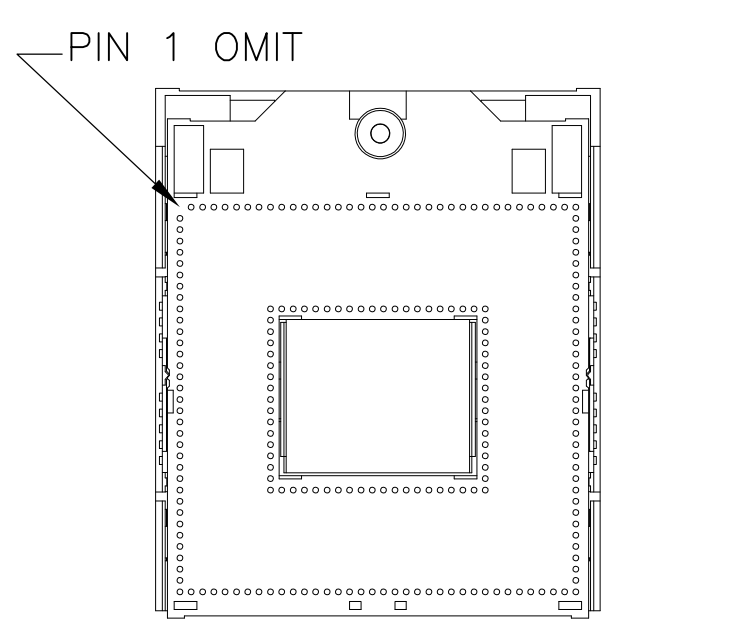
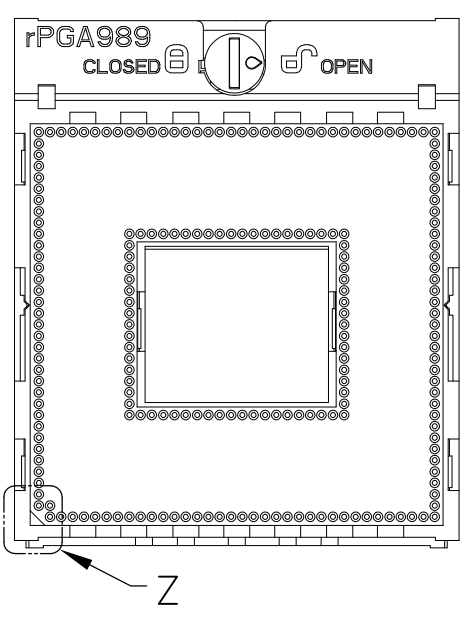
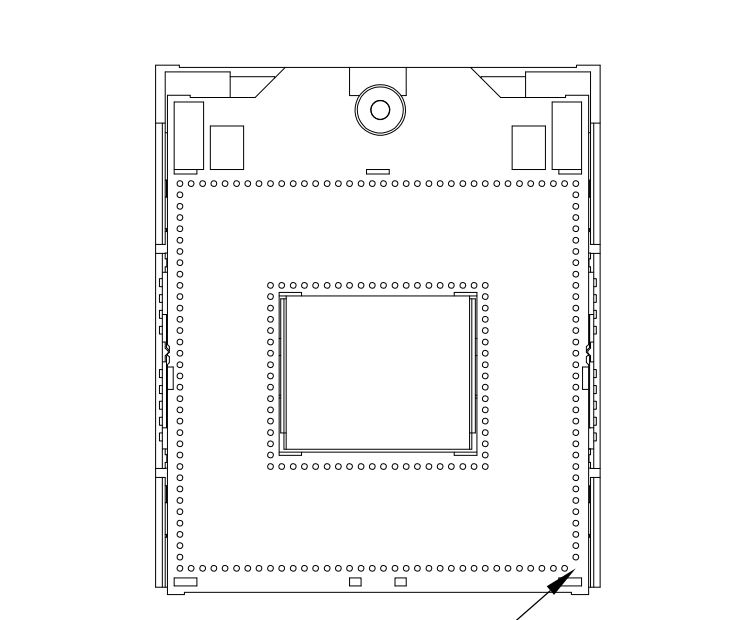
THIS DRAWING IS A CONTROLLED DOCUMENT.		DWN	TE Connectivity		
DIMENSIONS: 単位: 種 mm		CHK	NAME 名称		
TOLERANCES UNLESS OTHERWISE SPECIFIED: 一般公差		APVD	PRODUCT SPEC 製品規格		
①-PLC ± 0.3		APPLICATION SPEC 取付適用規格		SIZE A2	RESTRICTED TO
②-PLC ± 0.3		WEIGHT		CAGE CODE 00779	DRAWING NO 番号 2013620
③-PLC ± 0.3		MATERIAL 材料		SCALE 4:1	SHEET 3 of 7
④-PLC ± 0.3		FINISH 仕上		CUSTOMER DRAWING	REV E4
ANGLES ±					

THIS DRAWING IS UNPUBLISHED. RELEASED FOR PUBLICATION  
 © COPYRIGHT - By Tyco Electronics Japan G.K. ALL RIGHTS RESERVED.

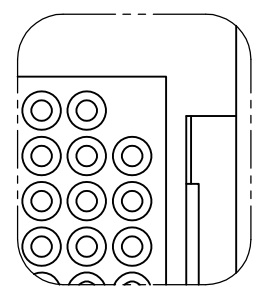
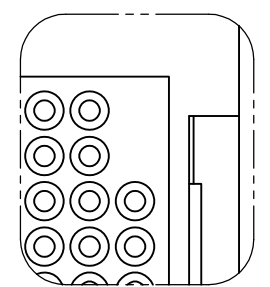
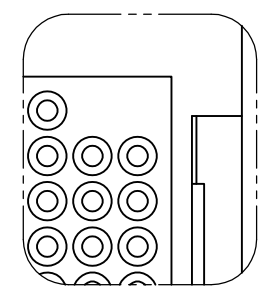
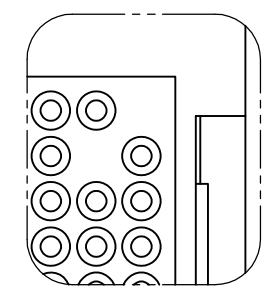
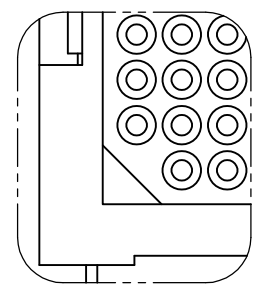
LOC		DIST		REVISIONS			
P	LTR	DATE	DWN	APVD	DESCRIPTION		
-	-	-	-	-	SEE SHEET 1		

PRODUCT TOP VIEW (WITHOUT CAP)

PRODUCT BOTTOM VIEW

PACKAGE ORIENTATION	rPGA989	rPGA988A	rPGA988B	rPGA988C	rPGA989/988A/988B/988C
STANDARD	 989 COVER HOLES 989 SOLDER BALLS	 988 COVER HOLES 989 SOLDER BALLS	 988 COVER HOLES 989 SOLDER BALLS	 988 COVER HOLES 989 SOLDER BALLS	 - PIN 1 OMIT
180DEG ROTATE	 989 COVER HOLES 989 SOLDER BALLS				 - PIN 1 OMIT

DETAIL Z  
COVER HOLE CONFIGURATION

 rPGA989	 rPGA988A	 rPGA988B	 rPGA988C
 rPGA989 180DEG ROTATE			

	7.7	56	120	TAPE & REEL	STD	rPGA989 180DEG ROTATE	5-2013620-3
	7.7	52	160	TAPE & REEL	STD	rPGA989 180DEG ROTATE	5-2013620-2
OBSOLETE	-7.8	56	120	TAPE & REEL	RAISED	rPGA988B	4-2013620-5
	-7.8	56	120	TAPE & REEL	RAISED	rPGA988A	4-2013620-4
	7.8	56	120	TAPE & REEL	RAISED	rPGA989	4-2013620-3
OBSOLETE	-7.7	52	160	TAPE & REEL	STD	rPGA988C	N/A
	7.7	56	120	TAPE & REEL	STD	rPGA988B	2-2013620-3
	-7.7	52	160	TAPE & REEL	STD	rPGA988B	2-2013620-2
OBSOLETE	-7.7	56	120	TAPE & REEL	STD	rPGA988A	1-2013620-3
	-7.7	52	160	TAPE & REEL	STD	rPGA988A	1-2013620-2
	7.7	56	180	TAPE & REEL	STD	rPGA989	2013620-4
	7.7	56	120	TAPE & REEL	STD	rPGA989	2013620-3
	7.7	52	160	TAPE & REEL	STD	rPGA989	2013620-2
	7.7	56	180	HARD TRAY	STD	rPGA989	2013620-1
			18				
	PRODUCT WEIGHT (g/SOCKET)	DIMENSION Y	SOCKET QTY PER TRAY OR REEL	PACKAGE TYPE	CAP TYPE	SOCKET TYPE	PART NO.

THIS DRAWING IS A CONTROLLED DOCUMENT. DWN: 01APR2008

DIMENSIONS: 単位: 種 mm TOLERANCES UNLESS OTHERWISE SPECIFIED: 一般公差

0-PLC ±0.3	
1-PLC ±0.3	
2-PLC ±0.3	
3-PLC ±0.3	
4-PLC ±0.3	
ANGLES ±	
FINISH 仕上	

TE Connectivity

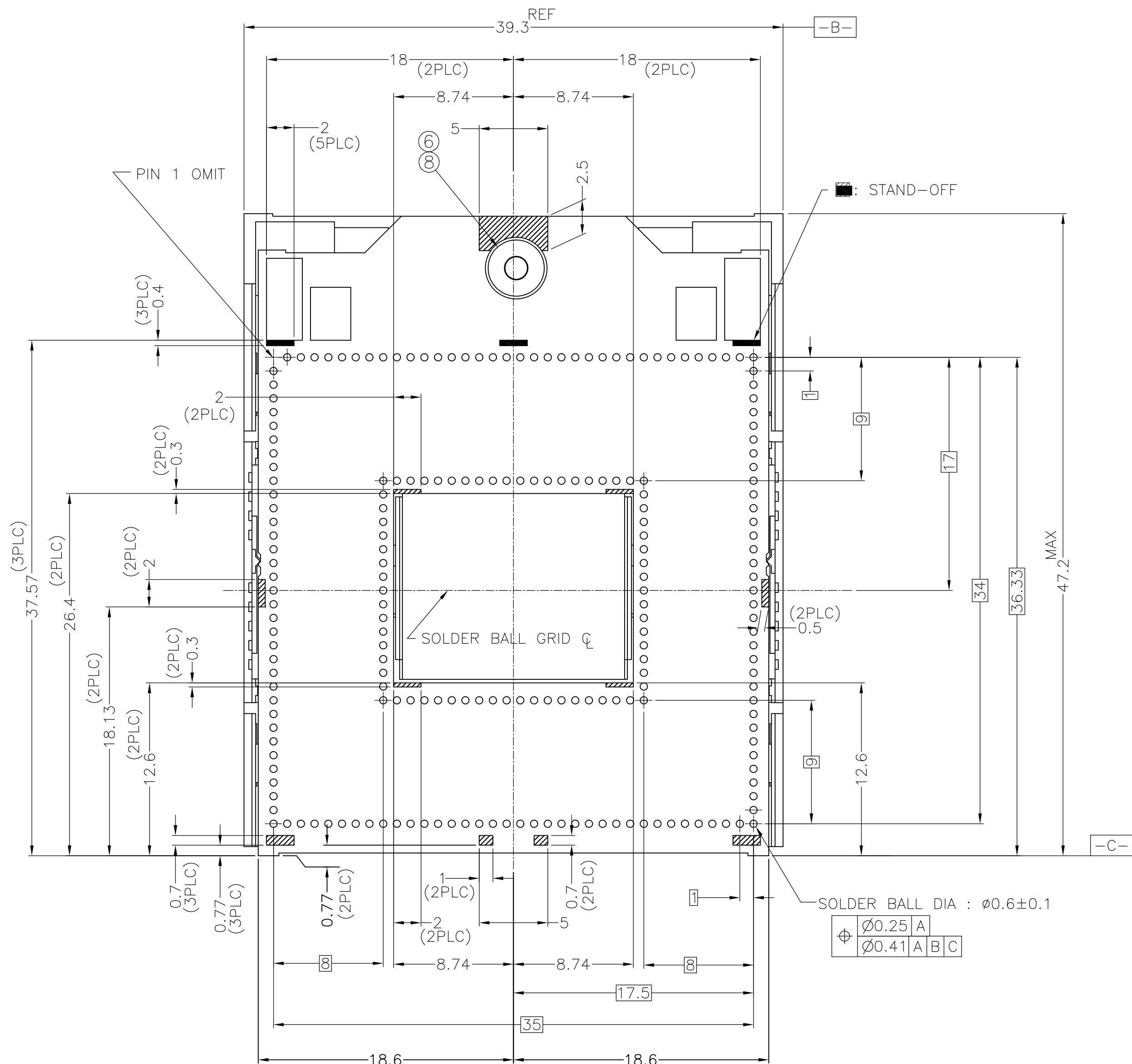
SOCKET ASSY  
rPGA989 & rPGA988X

SIZE: A2 CAGE CODE: 00779 DRAWING NO: 2013620

SCALE: 4:1 SHEET: 4 of 7 REV: E4

THIS DRAWING IS UNPUBLISHED. RELEASED FOR PUBLICATION  
 © COPYRIGHT - By Tyco Electronics Japan G.K. ALL RIGHTS RESERVED.

LOC	DIST	REVISIONS			DATE	DWN	APVD
		P	LTR	DESCRIPTION			
-	-	-	-	SEE SHEET 1	-	-	-



BOTTOM VIEW  
(OPEN POSITION)

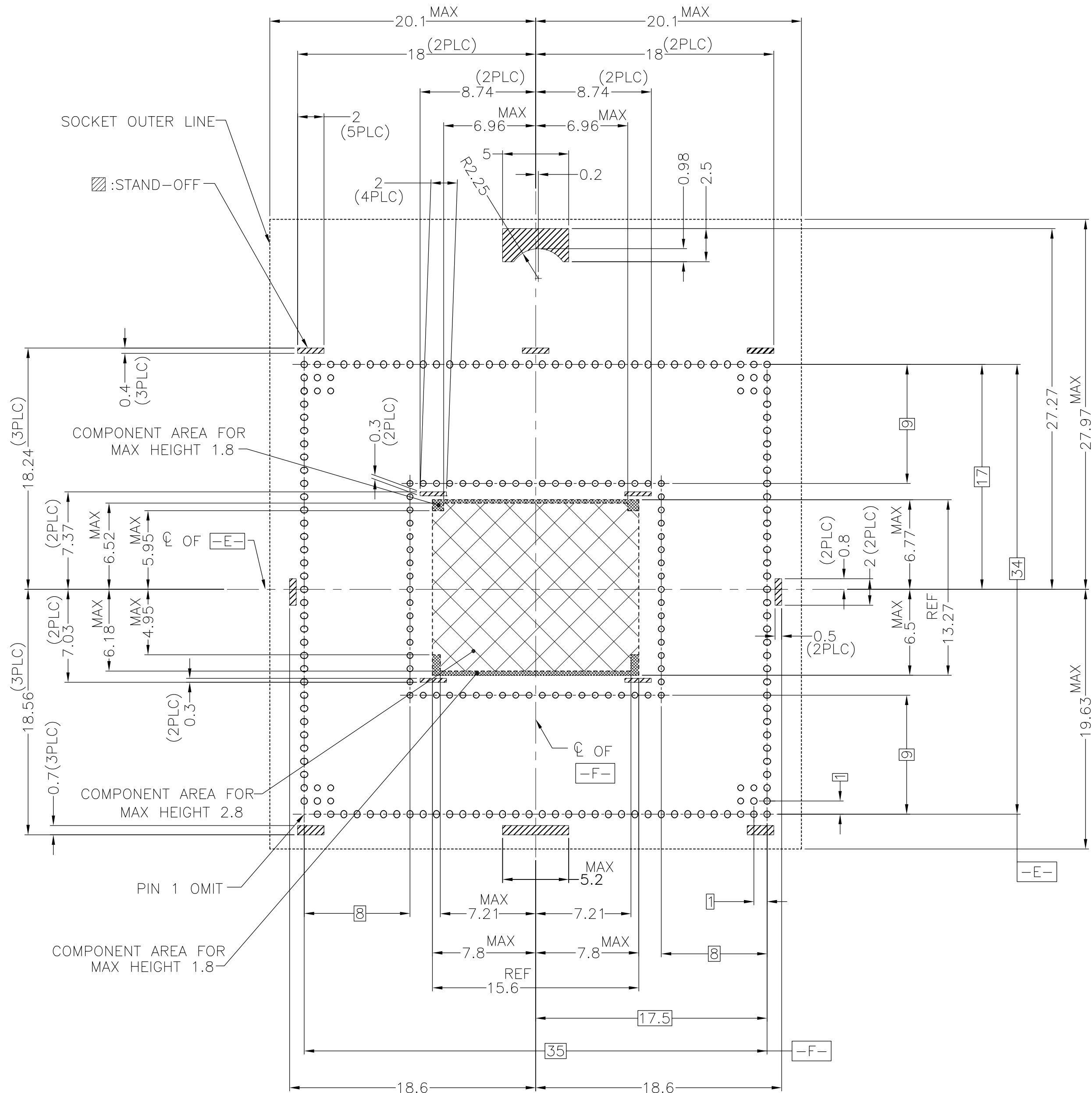
2013620-1 : AS SHOWN

THIS DRAWING IS A CONTROLLED DOCUMENT.		DWN	01APR2008		TE Connectivity	
DIMENSIONS: 単位: 種 mm		CHK				
TOLERANCES UNLESS OTHERWISE SPECIFIED: 一般公差		APVD			NAME 名称	
$\phi$ -PLC $\pm 0.3$ 1-PLC $\pm 0.3$ 2-PLC $\pm 0.3$ 3-PLC $\pm 0.3$ 4-PLC $\pm 0.3$ ANGLES $\pm$		PRODUCT SPEC 製品規格		SOCKET ASSY rPGA989 & rPGA988X		
MATERIAL 材料		FINISH 仕上		SIZE	CAGE CODE	DRAWING NO 番号
				A2	00779	C=2013620
				RESTRICTED TO		
		WEIGHT		SCALE 尺度		SHEET 5 of 7
				4:1		REV E4
		CUSTOMER DRAWING				



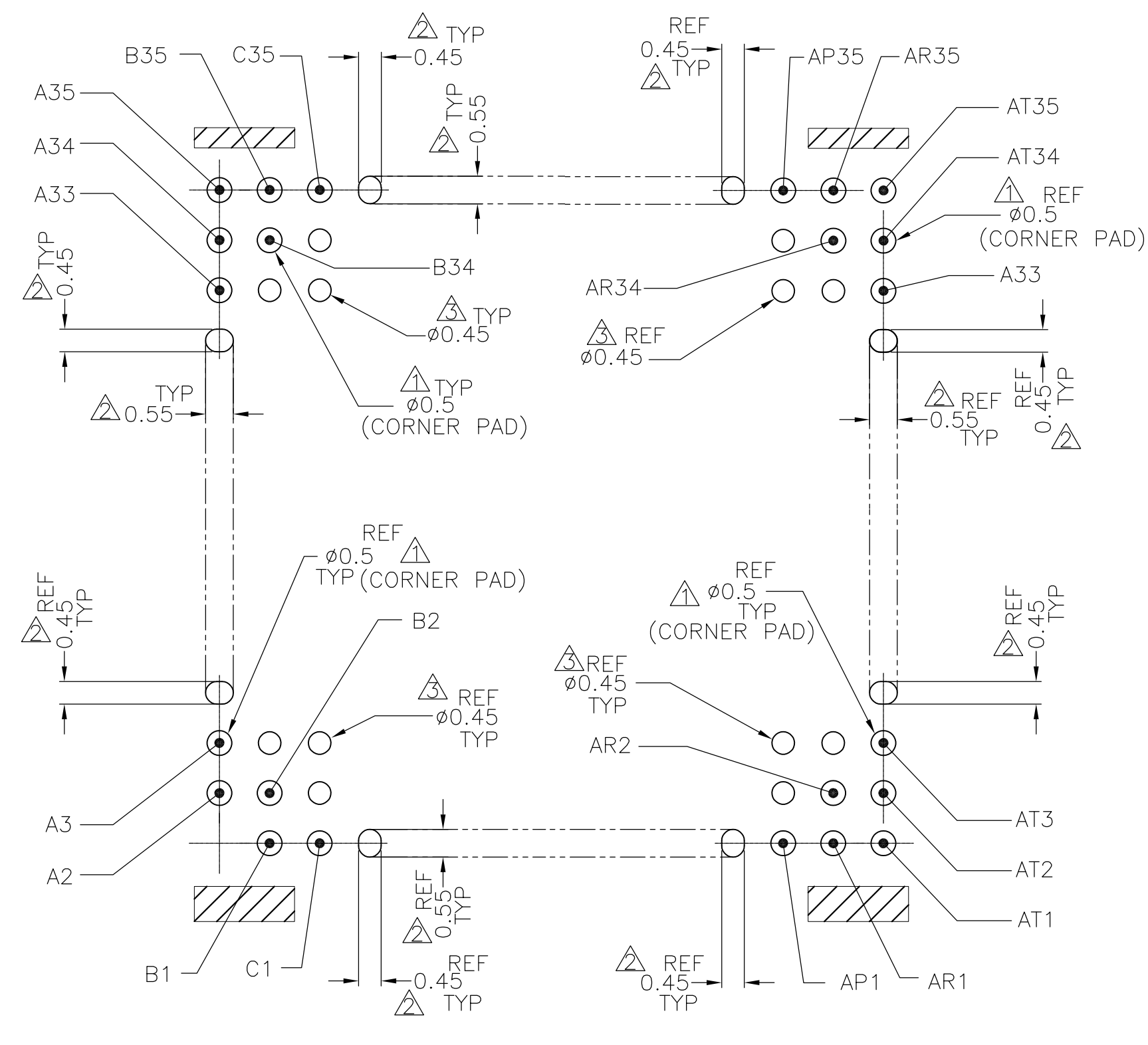
THIS DRAWING IS UNPUBLISHED. RELEASED FOR PUBLICATION  
 © COPYRIGHT - By Tyco Electronics Japan G.K. ALL RIGHTS RESERVED.

LOC	DIST	P	LTR	REVISIONS	DATE	DWN	APVD
-	-	-	-	我変更	-	-	-
DESCRIPTION				SEE SHEET 1			



PCB LAYOUT

5-2013620-X AS SHOWN  
 (180DEG ROTATE TYPE)



DETAIL FOR CORNER PAD

THIS DRAWING IS A CONTROLLED DOCUMENT.		DWN	01APR2008	
DIMENSIONS: 単位: 種 mm		CHK	-	
TOLERANCES UNLESS OTHERWISE SPECIFIED: 一般公差		APVD	-	
0-PLC	±0.3	PRODUCT SPEC	製品規格	
1-PLC	±0.3	APPLICATION SPEC	取付適用規格	
2-PLC	±0.3	WEIGHT	-	
3-PLC	±0.3	SIZE	A2	00779
4-PLC	±0.3	CAGE CODE	C=2013620	
ANGLES	±	DRAWING NO	2013620	
FINISH	仕上	RESTRICTED TO	-	
CUSTOMER DRAWING		SCALE	4:1	SHEET 7 of 7
		REV	E4	