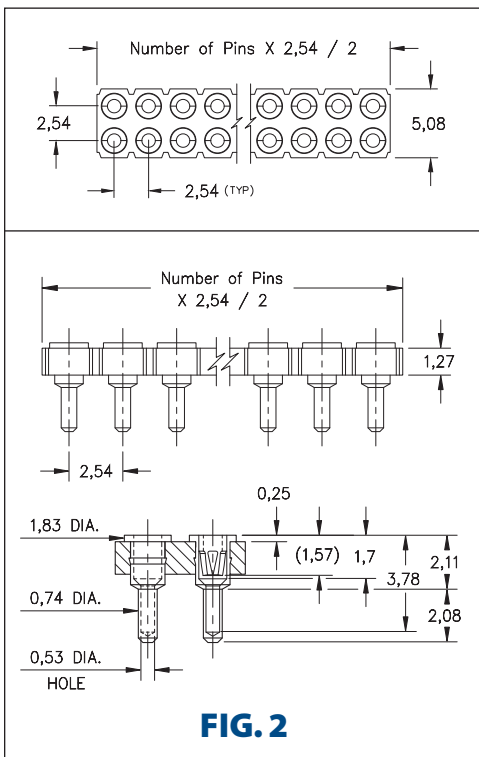
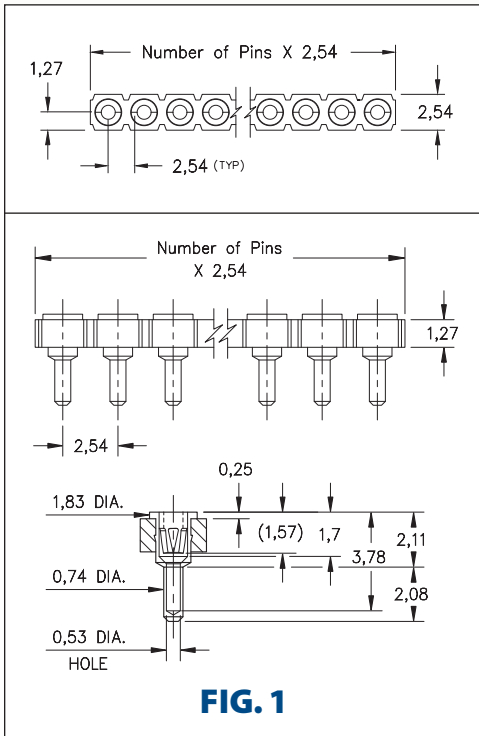
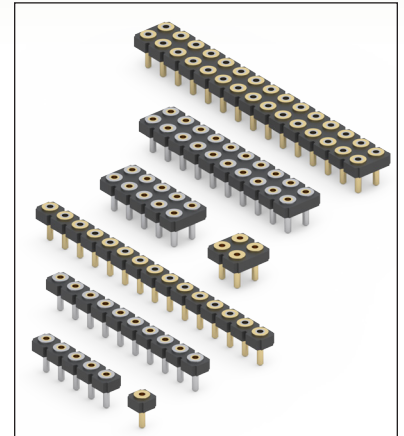


INTERCONNECTS

SERIES 315 & 415 • 2,54 GRID, SUPER LOW PROFILE SOCKETS • SINGLE AND DOUBLE ROW STRIPS



- Series 315 and 415 solder mount sockets use MM #0512 receptacles that accept pin diameters from 0,38-0,56 . See pages 161 for details
- Hi-Rel, 4-finger BeCu #12 contact is rated at 3 amps. See page 252 for details
- 2,11 Super low profile above the board utilizes 1,27 thick insulators
- Insulators are high temperature thermoplastic, suitable for all soldering operations



ORDERING INFORMATION

FIG. 1	Series 315...004 Single Row Socket
	315-XX-1-41-004000 Specify number of pins 01-32
FIG. 2	Series 415...004 Double Row Socket
	415-XX-2-41-004000 Specify number of pins 04-72



XX=Plating Code
See Below

For
Electrical, Mechanical
& Environmental Data,
See page 264

SPECIFY PLATING CODE XX=	13	93	43	44	47
Sleeve (Pin)	0,25µm Au	5,08µm Sn/Pb	5,08µm Sn	5,08µm Sn	5,08µm Sn
Contact (Clip)	0,76µm Au	0,76µm Au	0,76µm Au	2,54µm Sn	Au Flash