

**Technical specification :**

Rated voltage: 50 V AV / 60 V DC  
IEC 61076-2-104

Current rating: 3 A bei 40°C  
IEC 61076-2-104

Insulation resistance: >=100 MΩ  
IEC 60512

Pollution degree: 3/2  
IEC 60664-1

Degree of protection: IP 67, in mated condition  
IEC 60529

Temperature range: -25°C ... +80°C  
EN 60512-11-10  
-40°C ... +85°C  
EN 60512-11-4

Mating cycles: >=100  
IEC 60512-9a

**Cable specification:**

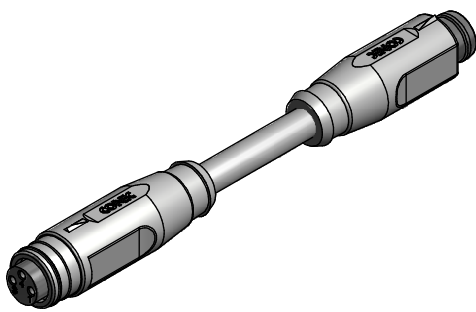
Temperatur range:  
static -25°C ... +80°C  
flexible -5°C ... +80°C

**Materials:**

Contact: CuZn, Ni3 Au 0,2 gal.  
Contact carrier: PA, UL 94 V-0  
Moulding body: TPU, UL 94 HB, grey

**Contact assignment:**

- 1) brown
- 3) blue
- 4) black



Part no:	Description:	Length L:	Cable:
42-10811	SAL - 8 - RKS3 - RSS3 - 0,3 / A1	0,3m	PVC, grey, 3x0,25mm <sup>2</sup> Cable: 781-A12300
42-10812	SAL - 8 - RKS3 - RSS3 - 0,6 / A1	0,6m	
42-10813	SAL - 8 - RKS3 - RSS3 - 1,5 / A1	1,5m	
42-10814	SAL - 8 - RKS3 - RSS3 - 3 / A1	3,0m	
42-xxxxx	SAL - 8 - RKS3 - RSS3 - ... / A1	x	

DO NOT ALTER CAD DRAWING BY HAND Directive 2002/95/EC RoHS compliant	Index: b 22.12.15 fro Ä5899 technical specificationan materials changed	dim. in mm	<b>title:</b> Connecting cable Ø8, female connector axial - male connector axial									
	tolerance of cable: L ≤ 4m: L + 40mm L > 4m: L + 1%	<table border="1" style="width: 100%; border-collapse: collapse;"> <tr> <td style="width: 30px;"></td> <td style="width: 100px;">date</td> <td style="width: 100px;">name</td> </tr> <tr> <td>drawn</td> <td>26.10.09</td> <td>Fromm</td> </tr> <tr> <td>appd.</td> <td>26.10.09</td> <td>Mankopf</td> </tr> </table>			date	name	drawn	26.10.09	Fromm	appd.	26.10.09	Mankopf
		date	name									
	drawn	26.10.09	Fromm									
appd.	26.10.09	Mankopf										
general tolerance: 0 ± 0,50mm 0,0 ± 0,25mm 0,00 ± 0,10mm		<b>part no:</b> see table										
THIS DRAWING MAY NOT BE COPIED OR REPRODUCED IN ANY WAY, AND MAY NOT BE PASSED ON TO A THIRD PARTY WITHOUT WRITTEN PERMISSION. OWNERSHIP AND COPYRIGHT OF CONEC GmbH												