

Technical specification:

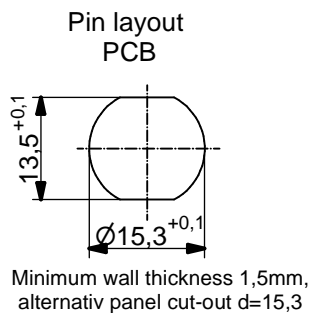
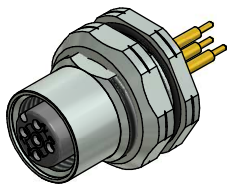
Rated voltage: IEC 61076-2-101	4pos 250 V	5pos 60 V	8pos 30 V
Current rating: IEC 61076-2-101	4/5pos 4 A at 40°C	8pos 2 A at 40°C	
Insulation resistance: IEC 60512	>=100 MΩ		
Pollution degree: IEC 60664-1	3/2		
Degree of protection: IEC 60529	IP 67, in mated condition		
Temperature range:	-30°C ... +85°C		
Mating cycles: IEC 60512-9a	>=100		

Materials:

Contact:	CuZn
Contact plating:	Nickel, gold plated
Contact carrier:	PBT GF, UL 94
Sealing connector: chassis:	FPM NBR
Counternut:	CuZn, nickel plated
Socket housing:	CuZn, nickel plated
Grouting:	Polyurethane-resin, UL 94

Installation specification:

Recommended torque:	1-1,2 Nm
Conec installation tool:	Torque wrench: 36-000200 Insert across flats 19: 36-000250



Part no:	Description:	Pos	Length L:	D1	D2
43-01059	SAL - 12 - FKH4 - P5,5 - 9	4	5,5mm	Ø5,0	Ø1,6
43-01061	SAL - 12 - FKH5 - P5,5 - 9	5		Ø5,5	Ø1,4
43-01063	SAL - 12 - FKH8 - P5,5 - 9	8	12mm	Ø5,0	Ø1,6
43-01060	SAL - 12 - FKH4 - P12 - 9	4		Ø5,5	Ø1,4
43-01062	SAL - 12 - FKH5 - P12 - 9	5		Ø5,0	Ø1,6
43-01064	SAL - 12 - FKH8 - P12 - 9	8		Ø5,5	Ø1,4

DO NOT ALTER CAD DRAWING BY HAND Directive 2002/95/EC RoHS compliant	Index: c 23.11.12 MG Ä4555 Data sheet revised, technical specification changed, materials corrected	dim. in mm	title: Female socket M12x1 with dip solder, backmounting, PG9							
			<table border="1"> <tr> <td>date</td> <td>name</td> </tr> <tr> <td>20.02.07</td> <td>Fromm</td> </tr> <tr> <td>01.03.07</td> <td>Mankopf</td> </tr> </table>	date	name	20.02.07	Fromm	01.03.07	Mankopf	dwg no: 43K1A300
	date	name								
	20.02.07	Fromm								
01.03.07	Mankopf									
general tolerance: 0 ± 0,50mm 0,0 ± 0,25mm 0,00 ± 0,10mm		part no: see table								
<small>THIS DRAWING MAY NOT BE COPIED OR REPRODUCED IN ANY WAY, AND MAY NOT BE PASSED ON TO A THIRD PARTY WITHOUT WRITTEN PERMISSION. OWNERSHIP AND COPYRIGHT OF CONEC GmbH</small>										