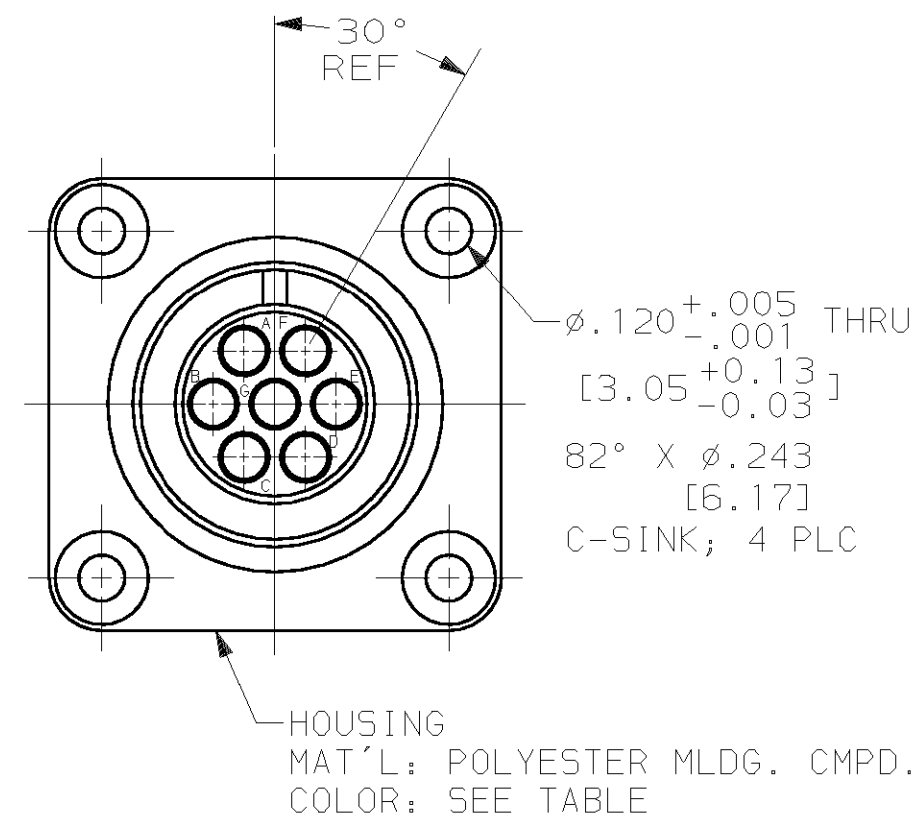
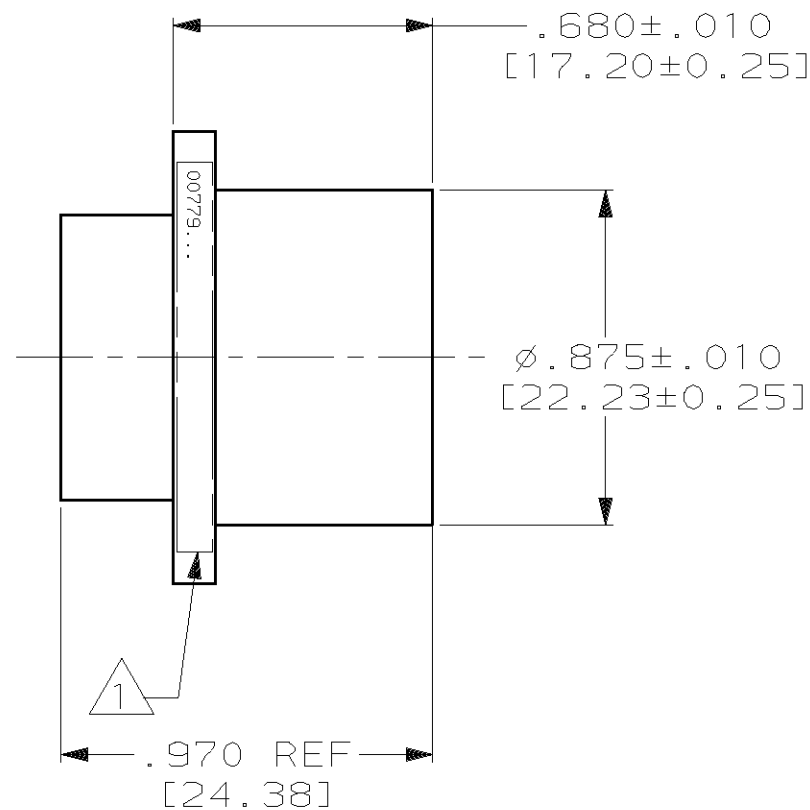
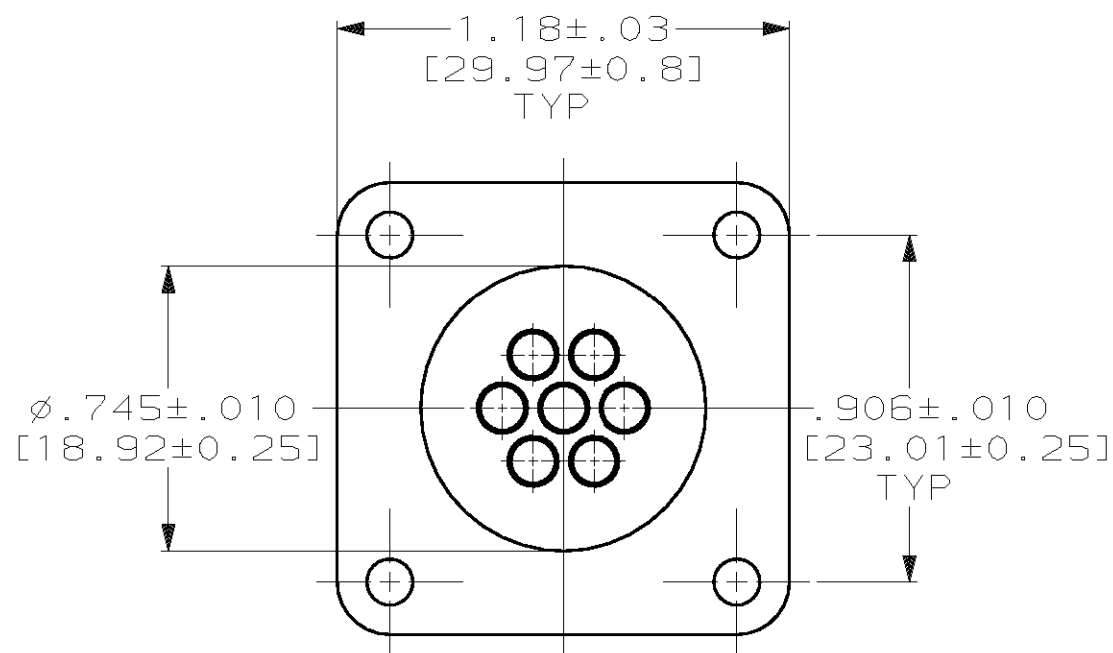


THIS DRAWING IS UNPUBLISHED. RELEASED FOR PUBLICATION ,19 .  
 © COPYRIGHT 19 BY AMP INCORPORATED

PROD 4085  
 LOC DF  
 DIST 50

P		F		ZONE		LTR		DESCRIPTION		DATE	APPD
								0	RELEASED PER 0600-2854-94	CT 9-94	DE
								A	ADD -3; 0600-5311-96	CT 4-96	DE
								B	REV PER 063D-0192-99	JEB 3-00	DE



- ① MARKED PER MIL-STD-130.
- 2. RECEPTACLE HAS NO MATING THREADS.
- ③ "PMS" PANTONE MATCHING SYSTEM #3145 U.

DO NOT SCALE PRINT.  
 UNLESS SPECIFIED  
 DIMENSIONS IN INCHES [mm]  
 TOLERANCES ON:  
 2 PLC DEC ± -  
 3 PLC DEC ± .005 [0.13]  
 ANGLES ± -

MATERIAL  
 SEE CALLOUTS

FINISH  
 -

DR 9-12-94  
 C.C.THOMAS

CHK 9-21-94  
 D.EABY

APPD 9-21-94  
 D.EABY

RLSE 9-21-94  
 C.C.THOMAS

PRODUCT SPEC  
 -

APPLICATION SPEC  
 -

WEIGHT -

SPECIAL AQUA BLUE ③	443065-3
BLACK	443065-1
COLOR	PART NO.

**AMP** AMP Incorporated  
 Harrisburg, PA 17105-3608

NAME  
 RECEPTACLE, 7 POSN., LGH

SIZE **B** CAGE CODE 00779 DRAWING NO ©-443065

SCALE 2:1 SHEET 1 OF 1

THIS DRAWING IS A CONTROLLED DOCUMENT FOR AMP INCORPORATED. IT IS SUBJECT TO CHANGE AND THE CONTROLLING ENGINEERING ORGANIZATION SHOULD BE CONTACTED FOR THE LATEST REVISION.