

DRAWING MADE IN THIRD ANGLE PROJECTION

THIS DRAWING IS UNPUBLISHED. RELEASED FOR PUBLICATION .19
 © COPYRIGHT 19 BY AMP INCORPORATED. ALL INTERNATIONAL RIGHTS RESERVED.

METRIC

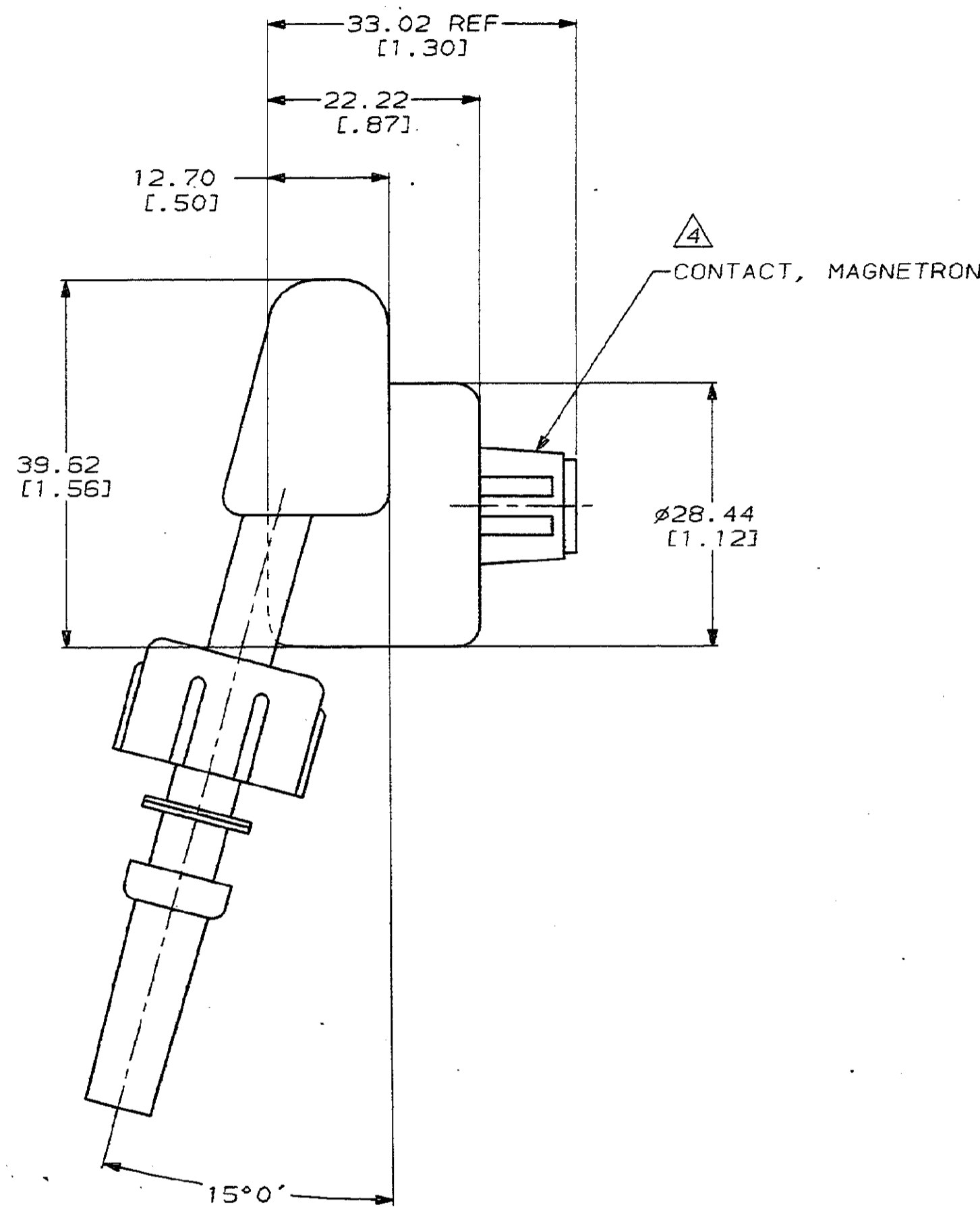
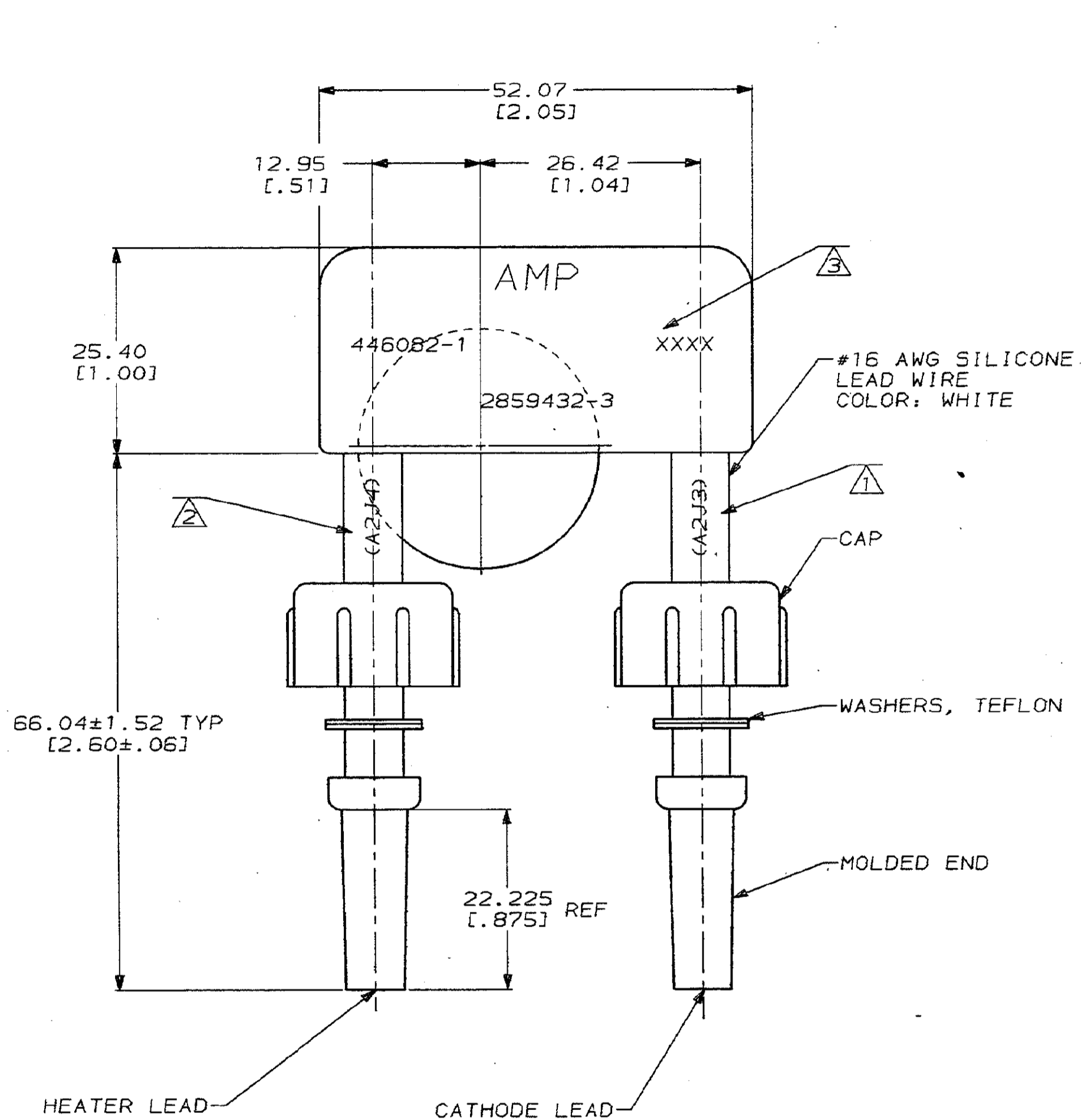
PROD CODE	LOC	DIST	ZONE	LTR	DESCRIPTION	DATE	APPD
4092	DF	S1			0 RLSE/NPR 89-241	CCT	7-89

REVISIONS

DESCRIPTION

DATE

APPD



- 1 MARKED WITH CUSTOMER DATA: P1 & (A2J3) PER MIL-STD-130.
- 2 MARKED WITH CUSTOMER DATA: P2 & (A2J4) PER MIL-STD-130.
- 3 AMP & CUSTOMER DATA MARKED PER MIL-STD-130.
- 4 TO MATE WITH MAGNETRON 4J52A.
- 5. TO MATE WITH AMP RECEPTACLE PART NO. 868754-1.
- 6. HI-POT: 45 KVDC AT SEA LEVEL FOR 3 MIN; 100%
- 7. OPERATING VOLTAGE: 30 KVDC AT SEA LEVEL.
- 8. SOLDER TO WITHSTAND A TEMPERATURE OF 500°F MAX.

DO NOT SCALE PRINT. UNLESS SPECIFIED DIMENSIONS IN MM [INCHES] TOLERANCES ON: 2 PLC DEC ± 0.51 [.02] 3 PLC DEC ± 0.13 [.005] ANGLES ± -		DR C.C. THOMAS 7-6-89	446082-1 AMP PART NO.	
CHK G. Schreffler 7/13/89	APPD U. S. Lutz 7-15-89	AMP AMP INCORPORATED Harrisburg, Pa. 17105		
MATERIAL SEE CALLOUTS	APPD U. S. Lutz 7-15-89	NAME LGH CONNECTOR, MAGNETRON		
FINISH -	APPLICATION SPEC -	SIZE C	FSCM NO 00779	DRAWING NO 446082
WEIGHT -		SCALE 2:1	SHEET 1 OF 1	

AMP 1471-6 REV 3-87

10 MAY 1989 10:30:06 716402 451285-DEP15021-ALLGH

RESTRICTED CUSTOMER DRAWING