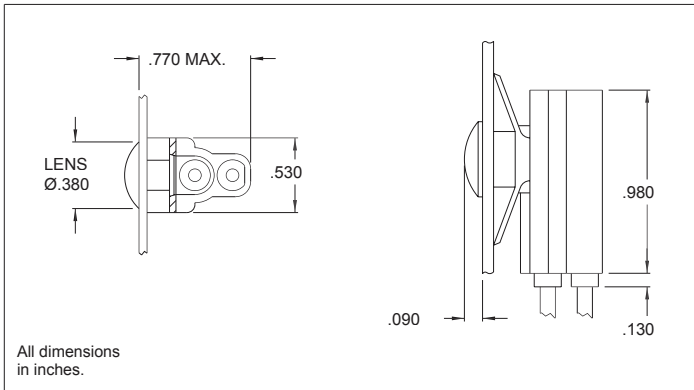


4700A and 4702A Series Non-Relampable Neon Indicator Light

Description and Features



Mounting: Will snap-fit into Ø.032/.317 in panels
.202/.125 thick.

Wire Leads: No. 22 AWG (105°C) 4.40/4.80 long,
stripped .430/.570

Lens: Polycarbonate

Housing: White nylon

Lens Color	Neon
	Model No. (105-125VAC)
Red	4700A1
Amber	4700A3
Green	4702A5*
Lamp used	C2A+Resistor
Lamp color	Black

*Incorporates G2B lamp and resistor
Underwriters Laboratories (UL) File No. E20356