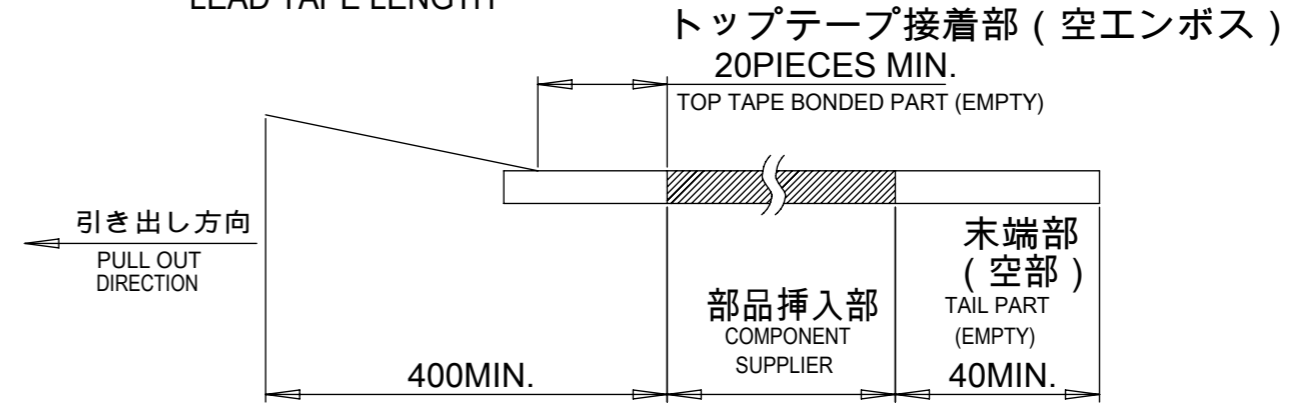
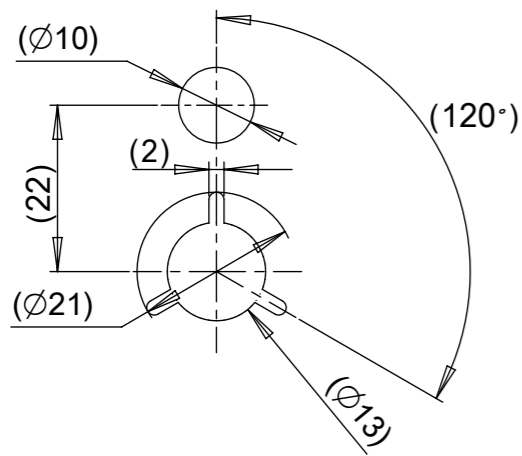
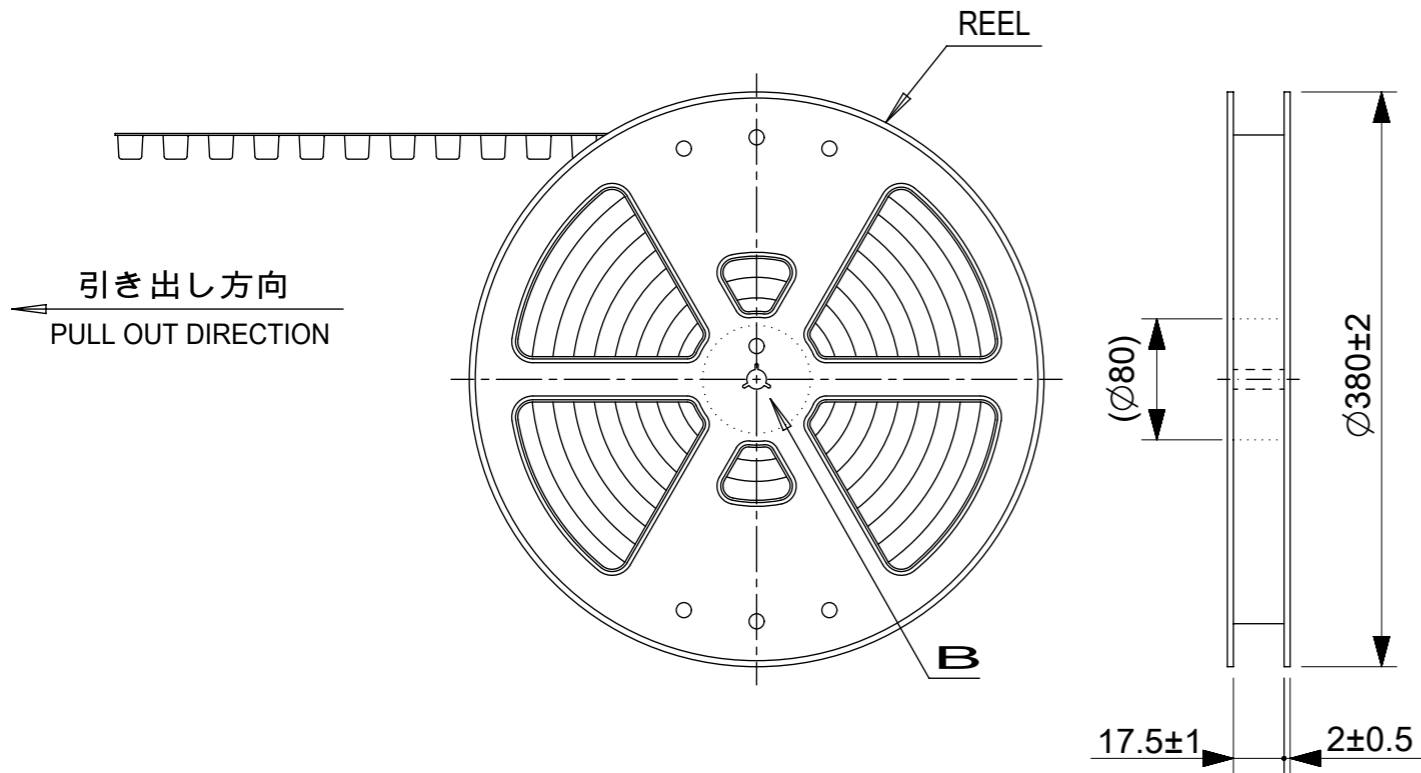


NOTES

- 製品詳細寸法については製品単体図面を参照ください。
RE DETAILED DIMENSION, SEE PRODUCT DRAWING.
- 梱包数量 : 1100個 / リール
NUMBER OF CONNECTORS : 1100PIECES/REEL
- リードテープ長さ
LEAD TAPE LENGTH



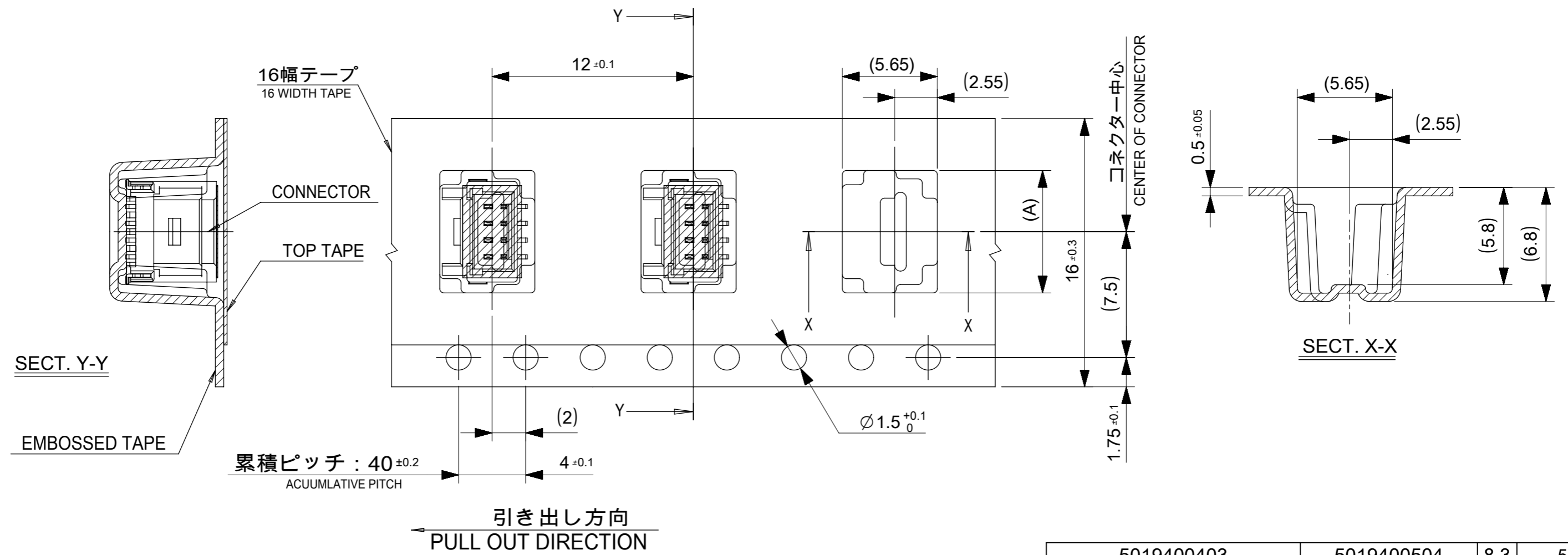
- 材料
MATERIAL
キャリアテープ : ポリスチレン
CARRIER TAPE : POLYSTYRENE
トッptape : PET、その他
TOP TAPE : PET, OTHER
リール : ポリスチレン<リサイクル材を含む>
REEL : POLYSTYRENE <RECYCLE MATERIAL CONTAINED>
- ELV AND RoHS COMPLIANT.



DETAIL B

THIS DRAWING CONTAINS INFORMATION THAT IS PROPRIETARY TO MOLEX ELECTRONIC TECHNOLOGIES, LLC AND SHOULD NOT BE USED WITHOUT WRITTEN PERMISSION

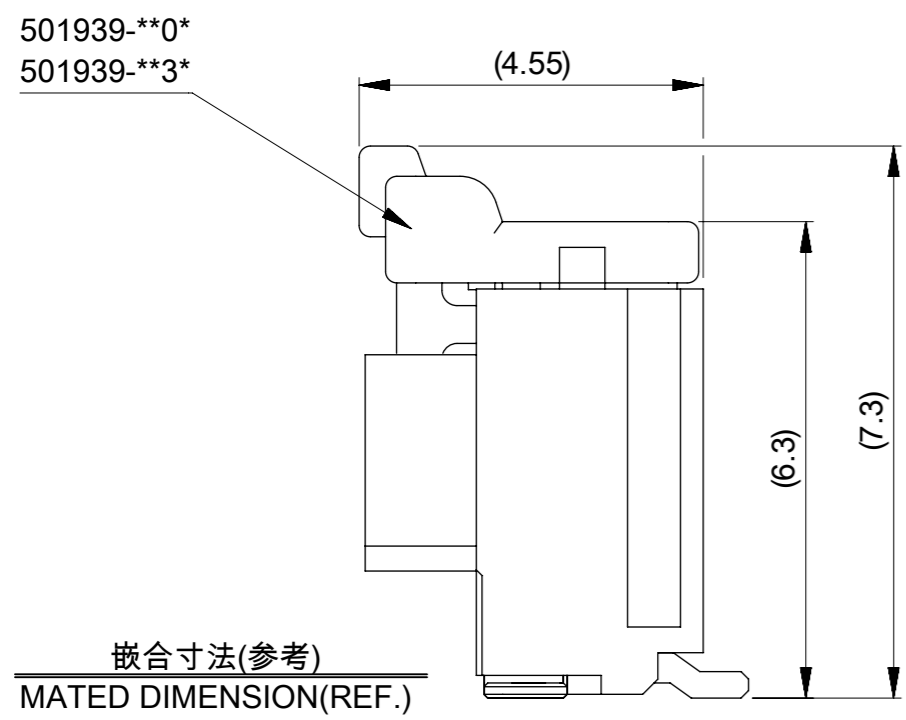
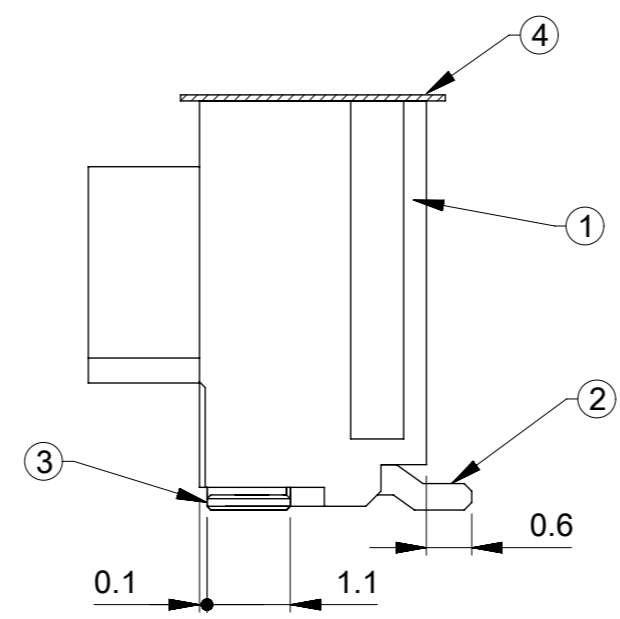
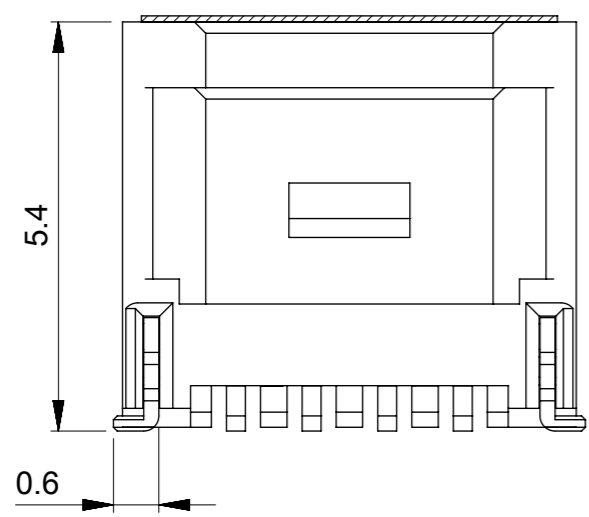
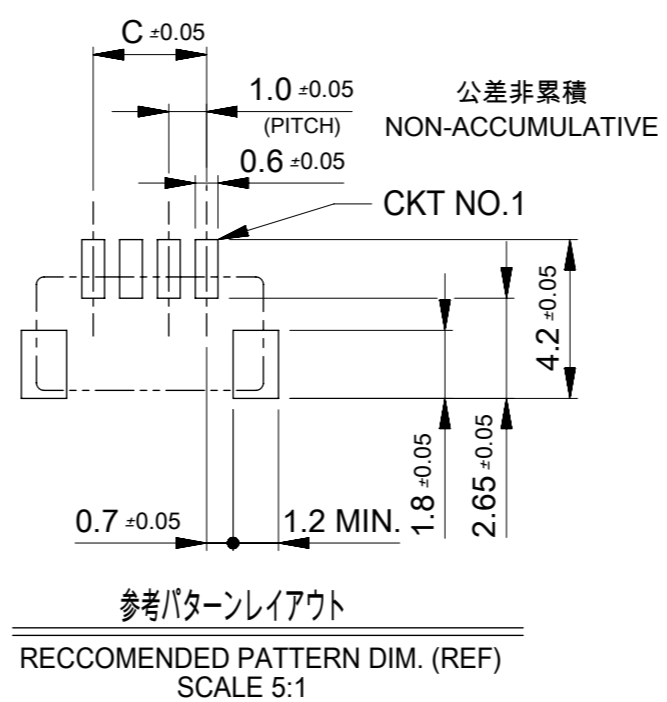
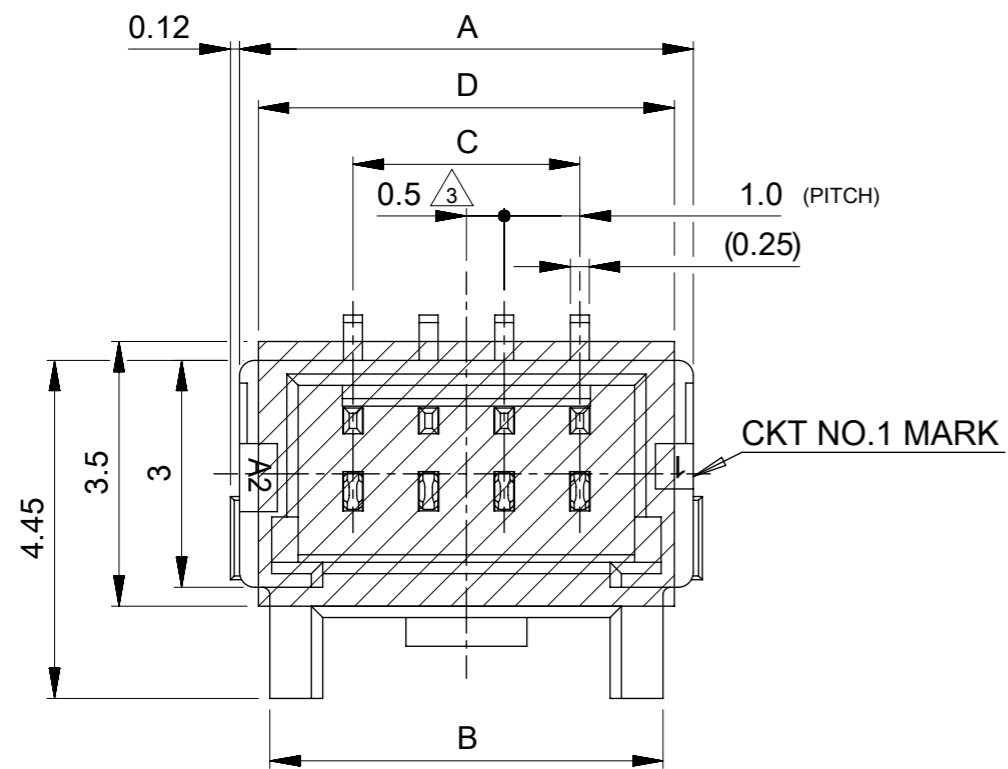
REVISED	2016/12/05	DRWN: QHE31	GENERAL TOLERANCES (UNLESS SPECIFIED)	DIMENSION UNITS	SCALE		
	2016/12/05	CHK'D: SAKIYAMA	ANGULAR TOL ± 3.0 °	MM	NTS		
	2016/12/05	APPR: TKANEKO	4 PLACES ± 0.2	DRWN BY	DATE		KOMORI 2016/08/25
			3 PLACES ± 0.2	CHK'D BY	DATE		SAKIYAMA 2016/09/21
			2 PLACES ± 0.2	APPR BY	DATE		TKANEKO 2016/09/21
EC NO: 111079			1 PLACE ± 0.2	DRAWING SIZE	THIRD ANGLE PROJECTION	PRODUCT CUSTOMER DRAWING	
			0 PLACES ± 0.2	A3		SERIES: 501940	
			DRAFT WHERE APPLICABLE MUST REMAIN WITHIN DIMENSIONS			MATERIAL NUMBER: SEE TABLE	
						CUSTOMER: GENERAL	
						DOCUMENT NUMBER: 5019400303	
						DOC TYPE: PSD	
						DOC PART: 000	
						SHEET NUMBER: 1 OF 2	



5019400403	5019400504	8.3	5
5019400403	5019400404	7.3	4
5019400303	5019400304	6.3	3
EMBOSSSED PACKAGE オーダー番号 ORDER NO.	CONNECTOR NO. 501940**04	(A)	極数 CIRCUIT

THIS DRAWING CONTAINS INFORMATION THAT IS PROPRIETARY TO MOLEX ELECTRONIC TECHNOLOGIES, LLC AND SHOULD NOT BE USED WITHOUT WRITTEN PERMISSION

REVISED EC NO: 111079 DRWN: QHE31 CHK'D: SAKIYAMA APPR: TKANEKO 2016/12/05 2016/12/05 2016/12/05	GENERAL TOLERANCES (UNLESS SPECIFIED) ANGULAR TOL ± 3.0 °		DIMENSION UNITS	SCALE	
	4 PLACES ± 0.2	3 PLACES ± 0.2	MM	NTS	
	2 PLACES ± 0.2	1 PLACE ± 0.2	DRWN BY	DATE	
	0 PLACES ± 0.2		CHK'D BY	DATE	
	DRAFT WHERE APPLICABLE MUST REMAIN WITHIN DIMENSIONS		APPR BY	DATE	
		DRAWING SIZE	THIRD ANGLE PROJECTION	PRODUCT CUSTOMER DRAWING PICO-CLASP 1.0 W/B 1-ROW ST OUTER LOCK TYPE EMBOSSSED TAPE PACKAGE (GOLD VERSION)	
		A3		SERIES	MATERIAL NUMBER
				501940	SEE TABLE
				CUSTOMER	GENERAL
				DOCUMENT NUMBER	DOC TYPE
				5019400303	PSD
				DOC PART	SHEET NUMBER
				000	2 OF 2



番号 NO.	部品 PART	材質 MATERIAL
①	ウエハー WAFER	耐熱ナイロン樹脂 UL94V-0 色 ; 自然色 HEAT RESISTANCE NYLON, UL94V-0 , COLOR;NATURAL
②	ソルダーピン SOLDER PIN	りん青銅 PHOSPHOR BRONZE 金めっき(接触部) ; 0.1 MICRO METER MINIMUM. GOLD PLATING (CONTACT AREA) 金めっき(テール部) : 0.05 MICRO METER MINIMUM. GOLD PLATING (TAIL AREA) ニッケルめっき(下地):1.0 MICRO METER MINIMUM. NICKEL (UNDER PLATING)
③	ネイル NAIL	りん青銅 PHOSPHOR BRONZE 錫めっき : 1.0 MICRO METER MINIMUM. TIN ニッケルめっき(下地) : 1.0 MICRO METER MINIMUM. NICKEL(UNDER PLATING)
④	カバーテープ COVER TAPE	ポリイミドテープ POLYIMIDE TAPE

- NOTES.
- 1.嵌合相手 : 501939-****
MATE WITH:501939-****
 - 2.ソルダーピン及びネイル平坦度は、0.1MAX.
SOLDER PIN AND NAIL COPLANARITY TO BE 0.1MAX.
 - △₃極数 = 偶数に適用
APPLY FOR CKT SIZE=EVEN
 - 4.ELV AND RoHS COMPLIANT.

5019400503	5019400504	6.5	4.0	5.2	7.0	5
5019400403	5019400404	5.5	3.0		6.0	4
5019400303	5019400304	4.5	2.0	4.2	5.0	3
EMBOSSED PACKAGE オーダー番号 ORDER NO.	CONNECTOR NO. 501940**04	D	C	B	A	極数 CKT.

THIS DRAWING CONTAINS INFORMATION THAT IS PROPRIETARY TO MOLEX ELECTRONIC TECHNOLOGIES, LLC AND SHOULD NOT BE USED WITHOUT WRITTEN PERMISSION

REVISED	2016/12/05	DRWN: QHE31	GENERAL TOLERANCES (UNLESS SPECIFIED)	DIMENSION UNITS	SCALE	molex			
	2016/12/05	CHK'D: SAKIYAMA		MM	10:1				
	2016/12/05	APPR: TKANEKO		ANGULAR TOL ± 3.0 °	DRWN BY		DATE		
	EC NO: 111079			4 PLACES ± 0.2	HKOBAYASHI		2016/08/25		
			3 PLACES ± 0.2	CHK'D BY	DATE	PICO-CLASP 1.0 W/B 1-ROW ST ASSY OUTER LOCK TYPE (GOLD VERSION)			
			2 PLACES ± 0.2	SAKIYAMA	2016/09/21				
			1 PLACE ± 0.2	APPR BY	DATE				
			0 PLACES ± 0.2	TKANEKO	2016/09/21				
			DRAFT WHERE APPLICABLE MUST REMAIN WITHIN DIMENSIONS	DRAWING SIZE	THIRD ANGLE PROJECTION	PRODUCT CUSTOMER DRAWING			
				A3		SERIES	MATERIAL NUMBER	CUSTOMER	
						501940	SEE TABLE	GENERAL	
						DOCUMENT NUMBER	DOC TYPE	DOC PART	SHEET NUMBER
						5019400304	PSD	000	1 OF 1