

THIS DRAWING IS UNPUBLISHED.

RELEASED FOR PUBLICATION

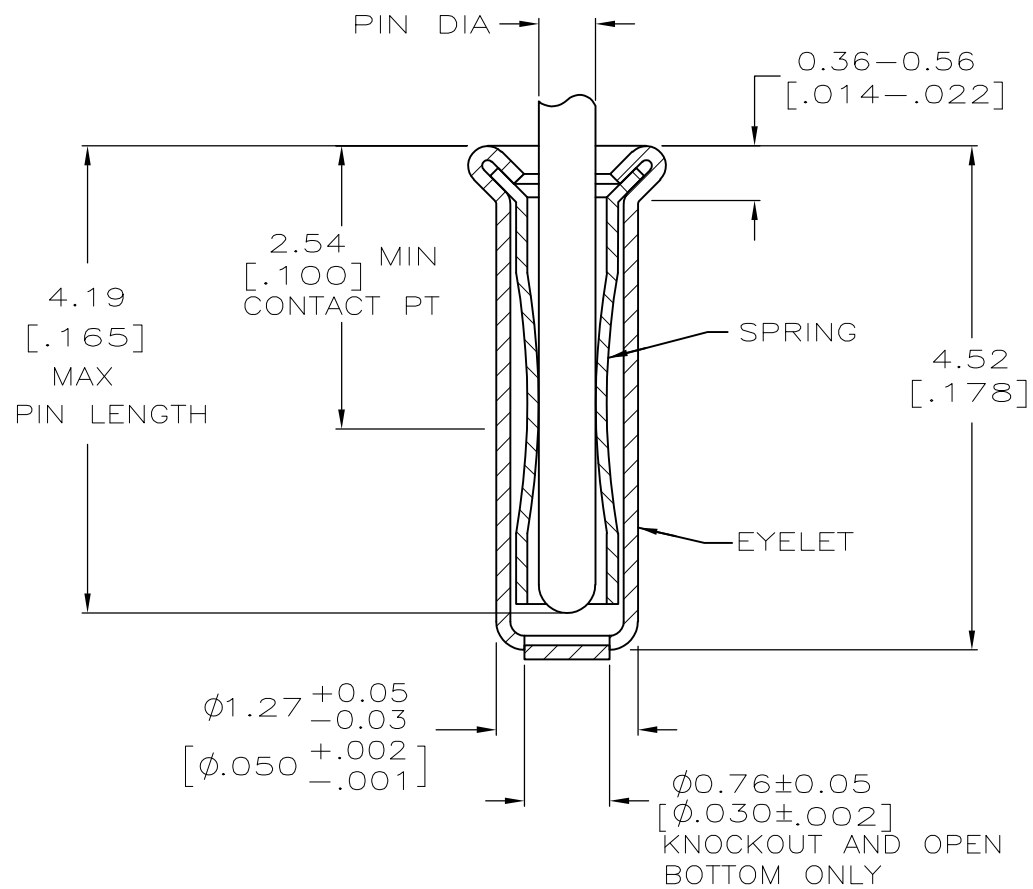
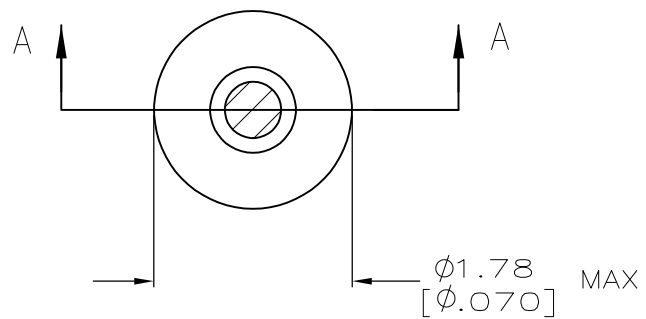
ALL RIGHTS RESERVED.

LOC  
GP

DIST  
00

REVISIONS

P	LTR	DESCRIPTION	DATE	DWN	APVD
P		REVISED PER ECO-11-004835	11MAR11	RK	HMR



SECTION A-A

- 1. TIN PLATE PER ASTM B 545 .000254 [.000100] MIN THICK.
- 2. GOLD PER ASTM B 488, TYPE II, 0.00076 [.000030] MIN THK OVER NICKEL PER QQ-N-290 0.00028 [.000011] MIN THK ON CONTACT AREA.
- 3. RECOMMENDED HOLE SIZE, PLATED OR UNPLATED:  
 MACHINE INSERTION: 1.32  $\begin{matrix} +0.08 \\ -0.05 \end{matrix}$  [.052  $\begin{matrix} +.003 \\ -.002 \end{matrix}$ ]  
 HAND INSERTION: 1.32  $\begin{matrix} +0.10 \\ -0.00 \end{matrix}$  [.052  $\begin{matrix} +.004 \\ -.000 \end{matrix}$ ]
- 4. APPLICATION TOOL PART NUMBER:  
 MACHINE NO. 682127-3  
 INSERTION HEAD NO. 682039-2
- 5. TO INSURE PROPER SPRING TENSION DO NOT EXCEED A 0.10 [.004] DIFFERENCE IN PIN DIA WHEN CHANGING TO A SMALLER PIN.
- 6. BOTTOM PLUG KNOCKOUT TOOL PART NUMBER 69729 WITH TIP PART NUMBER 69728.
- 7. MATERIAL: SPRING: BERYLLIUM COPPER PER ASTM B 194  
 EYELET: COPPER PER ASTM B 152

CLOSED	0.36-0.66 [.014-.026]	TIN 1	GOLD 2	5050462-8
OPEN			TIN 1	5050462-7
BOTTOM TYPE RECOMMENDED PIN DIA 5		EYELET	GOLD 2	5050462-2
			SPRING	PART NO
			FINISH	

THIS DRAWING IS A CONTROLLED DOCUMENT.		DWN J. ALCORTA - DOCK5 20APR2005	TE Connectivity														
DIMENSIONS: mm [INCHES]		CHK J. HAVENER 20APR2005															
TOLERANCES UNLESS OTHERWISE SPECIFIED:		APVD J. HAVENER 20APR2005	NAME MINIATURE SPRING SOCKET ASSEMBLY SERIES 2														
<table border="0"> <tr><td>0 PLC</td><td>± -</td></tr> <tr><td>1 PLC</td><td>± -</td></tr> <tr><td>2 PLC</td><td>± -</td></tr> <tr><td>3 PLC</td><td>± 0.20 [.008]</td></tr> <tr><td>4 PLC</td><td>± -</td></tr> <tr><td>ANGLES</td><td>± -</td></tr> </table>		0 PLC	± -	1 PLC	± -	2 PLC	± -	3 PLC	± 0.20 [.008]	4 PLC	± -	ANGLES	± -	PRODUCT SPEC -	SIZE A3	CAGE CODE 00779	DRAWING NO C-5050462
0 PLC	± -																
1 PLC	± -																
2 PLC	± -																
3 PLC	± 0.20 [.008]																
4 PLC	± -																
ANGLES	± -																
MATERIAL 7		FINISH SEE TABLE	WEIGHT -	RESTRICTED TO -													
CUSTOMER DRAWING			SCALE 20:1	SHEET 1 OF 1	REV P												