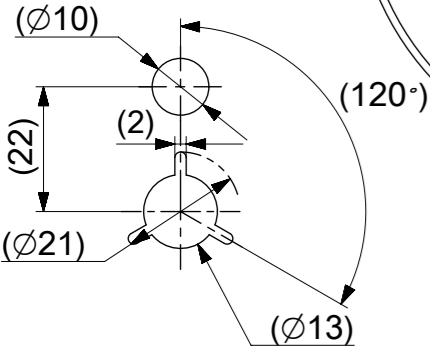
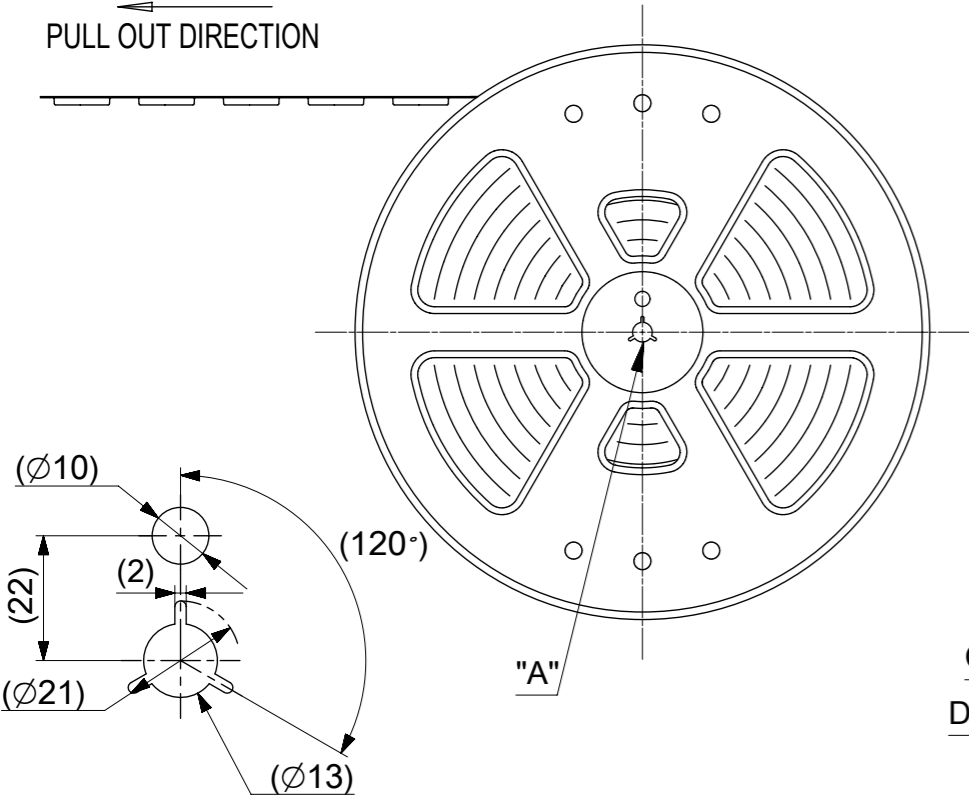
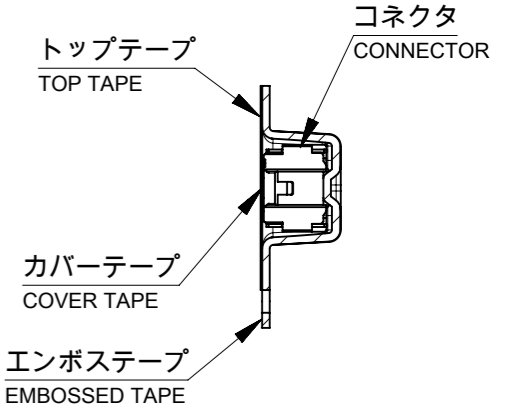
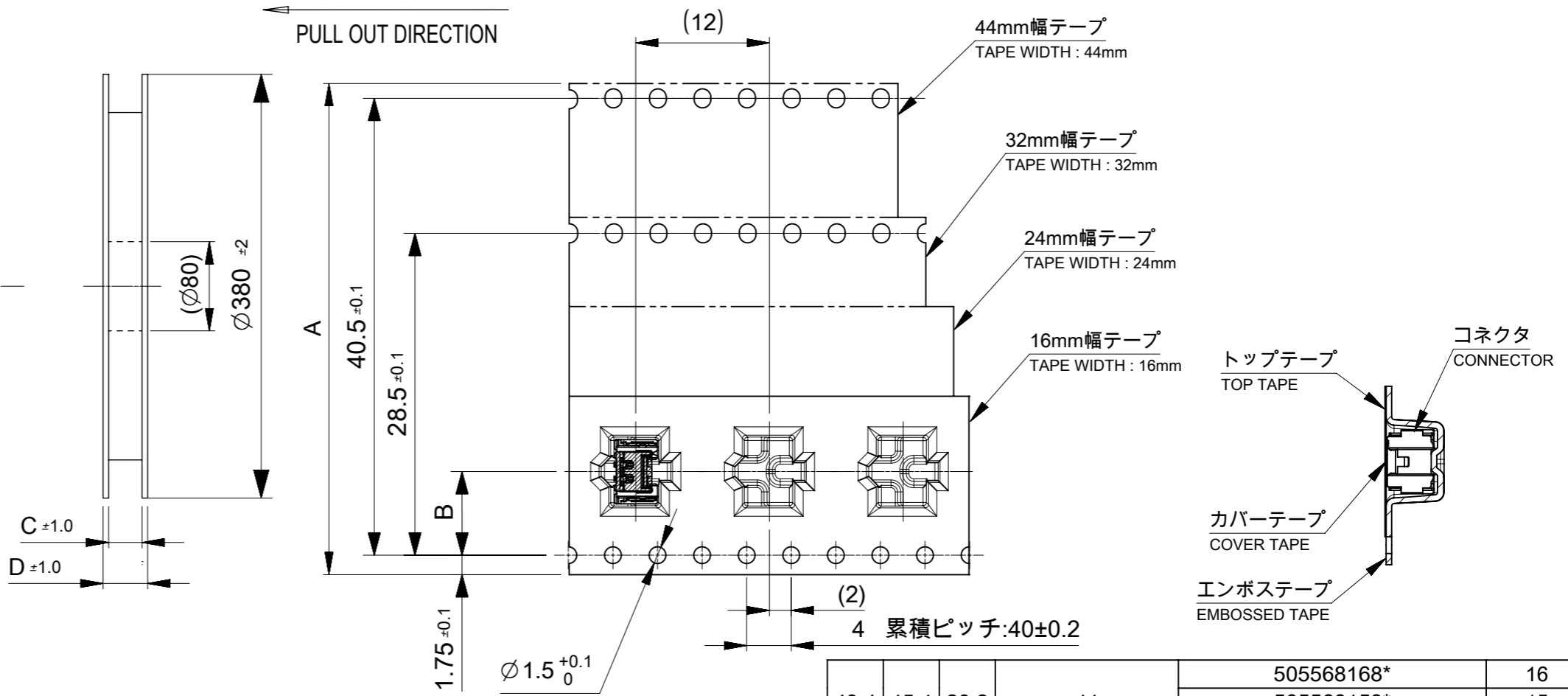


引き出し方向  
PULL OUT DIRECTION



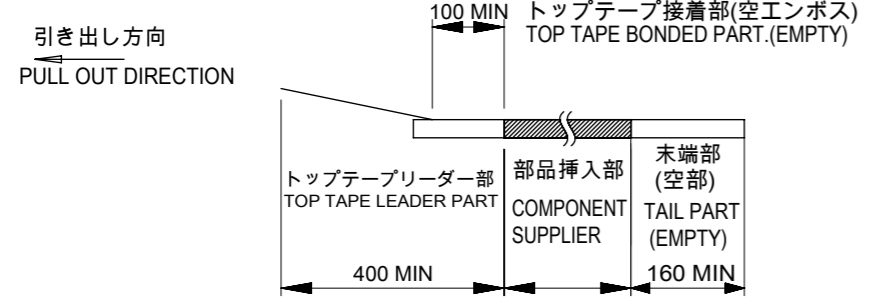
DETAIL "A"

引き出し方向  
PULL OUT DIRECTION



NOTES

- 製品寸法については、製品単体図面を参照ください。  
THE DETAIL DIMENSION REFER TO SALES DRAWING OF CONNECTOR ITSELF (NOT PACKAGED)
- 梱包数量：1200個 / リール  
NUMBER OF CONNECTORS：1200 PCS/REEL.
- リードテープ長さ  
LEAD TAPE LENGTH.



- トップテープの剥離強度はIEC60286-3に準拠  
TOP TAPE PEELING FORCE IS DEFINED BY IEC60286-3

- 材料 MATERIAL  
キャリアテープ (CARRIER TAPE): ポリスチレン (POLYSTYRENE)  
トップテープ (TOP TAPE)  
リール (REEL): ポリスチレン [リサイクル材を含む] (PS)  
POLYSTYRENE (PS) [RECYCLE MATERIAL CONTAINED]

49.4	45.4	20.2	44 ± 0.3	505568168*	16
				505568158*	15
				505568148*	14
				505568138*	13
				505568128*	12
				505568118*	11
				505568108*	10
				505568098*	9
				505568088*	8
				505568078*	7
				505568068*	6
				505568058*	5
				505568048*	4
				505568038*	3
				505568028*	2
D	C	B	エンボステープ幅 WIDTH OF TAPE A	エンボス梱包 EMBOSSED TAPE PACKAGE	極数 CKT NO.
				オーダー番号 ORDER NO.	

THIS DRAWING CONTAINS INFORMATION THAT IS PROPRIETARY TO MOLEX ELECTRONIC TECHNOLOGIES, LLC AND SHOULD NOT BE USED WITHOUT WRITTEN PERMISSION

REDRAWN	EC NO: 168093	DRWN: RWATANABE01	CHK'D: KOMURAKAMI	APPR: TKANEKO	GENERAL TOLERANCES (UNLESS SPECIFIED)	DIMENSION UNITS	SCALE				
	2017/11/28	2017/12/04	2017/12/06		ANGULAR TOL ± 1.0 °	mm	NTS				
					4 PLACES ± 0.2	DRWN BY	DATE				
					3 PLACES ± 0.2	RWATANABE01	2017/11/28				
					2 PLACES ± 0.2	CHK'D BY	DATE	MICRO-LOCK PLUS 1.25 W/B SINGLE ROW ST SMT EMBOSSED TAPE PKG			
				1 PLACE ± 0.2	KOMURAKAMI	2017/12/04					
				0 PLACES ± 0.2	APPR BY	DATE					
					TKANEKO	2017/12/06					
					DRAFT WHERE APPLICABLE MUST REMAIN WITHIN DIMENSIONS	DRAWING SIZE	THIRD ANGLE PROJECTION	PRODUCT CUSTOMER DRAWING			
						A3		SERIES	MATERIAL NUMBER	CUSTOMER	
								505568	SEE SHEET2	GENERAL	
								DOCUMENT NUMBER	DOC TYPE	DOC PART	SHEET NUMBER
								5055680010-SD	PSD	000	1 OF 2

E

D


C

B

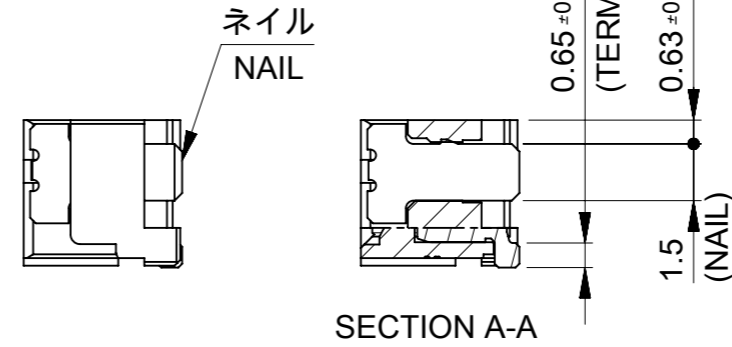
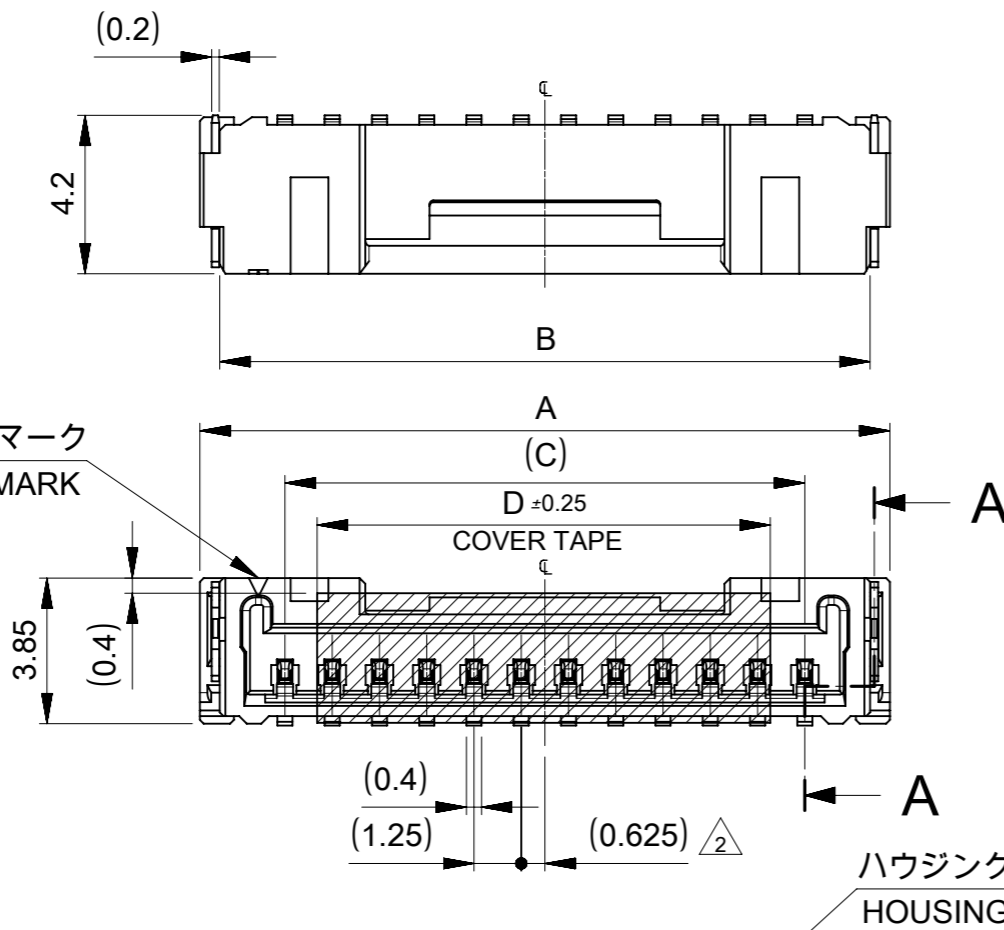
A

ORANGE	GREEN	BLUE	YELLOW	RED	BLACK	NATURAL (BEIGE)	HSG COLOR
5055681688	5055681686	5055681684	5055681683	5055681682	5055681681	5055681680	16
5055681588	5055681586	5055681584	5055681583	5055681582	5055681581	5055681580	15
5055681488	5055681486	5055681484	5055681483	5055681482	5055681481	5055681480	14
5055681388	5055681386	5055681384	5055681383	5055681382	5055681381	5055681380	13
5055681288	5055681286	5055681284	5055681283	5055681282	5055681281	5055681280	12
5055681188	5055681186	5055681184	5055681183	5055681182	5055681181	5055681180	11
5055681088	5055681086	5055681084	5055681083	5055681082	5055681081	5055681080	10
5055680988	5055680986	5055680984	5055680983	5055680982	5055680981	5055680980	9
5055680888	5055680886	5055680884	5055680883	5055680882	5055680881	5055680880	8
5055680788	5055680786	5055680784	5055680783	5055680782	5055680781	5055680780	7
5055680688	5055680686	5055680684	5055680683	5055680682	5055680681	5055680680	6
5055680588	5055680586	5055680584	5055680583	5055680582	5055680581	5055680580	5
5055680488	5055680486	5055680484	5055680483	5055680482	5055680481	5055680480	4
5055680388	5055680386	5055680384	5055680383	5055680382	5055680381	5055680380	3
5055680288	5055680286	5055680284	5055680283	5055680282	5055680281	5055680280	2
EMBOSSSED TAPE PKG	EMBOSSSED TAPE PKG	EMBOSSSED TAPE PKG	EMBOSSSED TAPE PKG	EMBOSSSED TAPE PKG	EMBOSSSED TAPE PKG	EMBOSSSED TAPE PKG	極数 CKT NO.
ORDER NO.	ORDER NO.	ORDER NO.	ORDER NO.	ORDER NO.	ORDER NO.	ORDER NO.	

THIS DRAWING CONTAINS INFORMATION THAT IS PROPRIETARY TO MOLEX ELECTRONIC TECHNOLOGIES, LLC AND SHOULD NOT BE USED WITHOUT WRITTEN PERMISSION

REDRAWN EC NO: 168093 DRWN: RWATANABE01 CHK'D: KOMURAKAMI REV APPR: TKANEKO	2017/11/28 2017/12/04 2017/12/06	GENERAL TOLERANCES (UNLESS SPECIFIED) ANGULAR TOL ± 1.0 ° 4 PLACES ± 0.2 3 PLACES ± 0.2 2 PLACES ± 0.2 1 PLACE ± 0.2 0 PLACES ± 0.2	DIMENSION UNITS: mm SCALE: NTS DRWN BY: RWATANABE01 DATE: 2017/11/28 CHK'D BY: KOMURAKAMI DATE: 2017/12/04 APPR BY: TKANEKO DATE: 2017/12/06	  MICRO-LOCK PLUS 1.25 W/B SINGLE ROW ST SMT EMBOSSSED TAPE PKG  PRODUCT CUSTOMER DRAWING	
	DRAFT WHERE APPLICABLE MUST REMAIN WITHIN DIMENSIONS		DRAWING SIZE: A3 THIRD ANGLE PROJECTION		SERIES: 505568 MATERIAL NUMBER: SEE SHEET2 CUSTOMER: GENERAL
			DOCUMENT NUMBER: 5055680010-SD DOC TYPE: PSD DOC PART: 000 SHEET NUMBER: 2 OF 2		

回路番号1 マーク  
CKT No.1 MARK



奇数キャビティ : キャビティ番号及び金型番号  
偶数キャビティ : トレードマーク  
ODD CAVITY:CAVITY AND MOLD NO.  
EVEN CAVITY:TRADE MARK

奇数キャビティ : トレードマーク  
偶数キャビティ : キャビティ番号及び金型番号  
ODD CAVITY:TRADE MARK  
EVEN CAVITY:CAVITY AND MOLD NO.

NOTES:

1. 嵌合相手 : 505565\*\*0\*  
MATE WITH: 505565\*\*0\*
2. 偶数極に適用  
APPLY FOR EVEN CKT.
3. 製品仕様書 : 5055650002 PS 000  
PRODUCT SPECIFICATION:5055650002 PS 000
4. オーダー番号と色、極数の関係  
RELATION ORDER NUMBER AND COLOR, CKT.

505568**8*		NO.	COLOR
極数	色	0	NATURAL
CIRCUIT NO.	COLOR	1	BLACK
		2	RED
		3	YELLOW
		4	BLUE
		6	GREEN
		8	ORANGE

5. ターミナルとネイルの平坦度は0.1mm以下  
TERMINAL AND NAIL COPLANARITY : 0.1mm MAX.

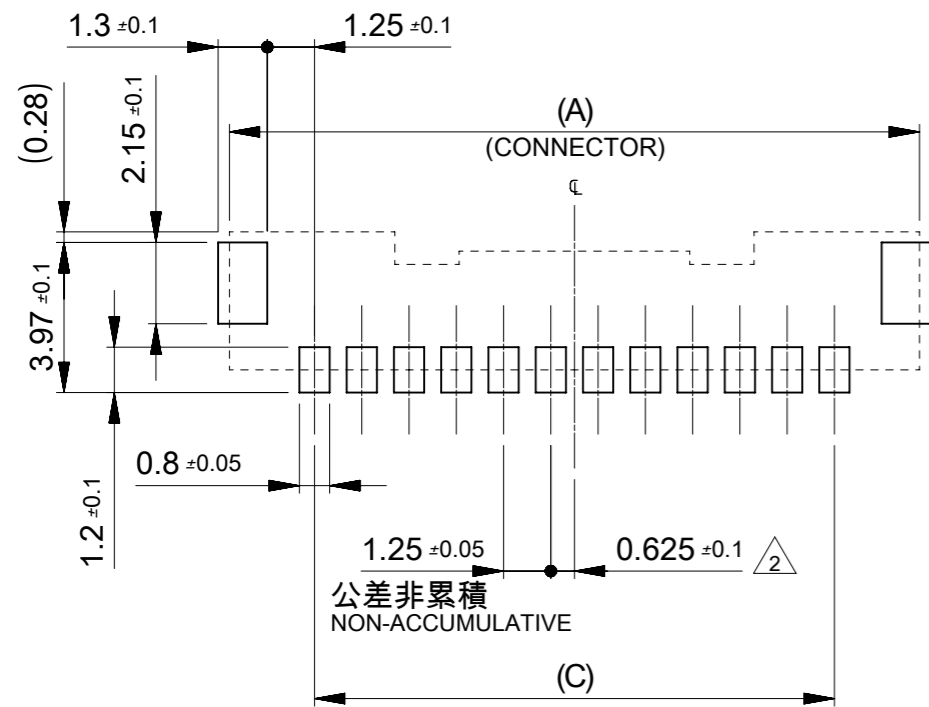
12	18.75	22.20	23.25	505568168*	16
12	17.50	20.95	22.00	505568158*	15
12	16.25	19.70	20.75	505568148*	14
12	15.00	18.45	19.50	505568138*	13
12	13.75	17.20	18.25	505568128*	12
12	12.50	15.95	17.00	505568118*	11
12	11.25	14.70	15.75	505568108*	10
10	10.00	13.45	14.50	505568098*	9
8	8.75	12.20	13.25	505568088*	8
8	7.50	10.95	12.00	505568078*	7
8	6.25	9.70	10.75	505568068*	6
8	5.00	8.45	9.50	505568058*	5
7	3.75	7.20	8.25	505568048*	4
5	2.50	5.95	7.00	505568038*	3
5	1.25	4.70	5.75	505568028*	2
D	C	B	A	EMBOSSED TAPE PKG ORDER NO.	極数 CKT NO.

部品 PART	材質 MATERIAL
ハウジング HOUSING	ポリアミド(PA),ガラス充填,UL94 V-0,色 : SHEET 2参照 POLYAMIDE (PA),GLASS FILLED,UL94 V-0,COLOR:SEE SHEET 2
ターミナル TERMINAL	黄銅 BRASS 金めっき ( 接点部 ) : 0.1 MICRO-METER MIN. AU PLATED (CONTACT) ニッケルめっき(下地) : 1.0 MICRO-METER MIN. NICKEL (UNDER-PLATED)
ネイル NAIL	黄銅 BRASS 錫めっき : 1.0 MICRO-METER MIN. TIN PLATED(MATTE TIN) ニッケルめっき(下地) : 1.0 MICRO-METER MIN. NICKEL (UNDER-PLATED)

THIS DRAWING CONTAINS INFORMATION THAT IS PROPRIETARY TO MOLEX ELECTRONIC TECHNOLOGIES, LLC AND SHOULD NOT BE USED WITHOUT WRITTEN PERMISSION

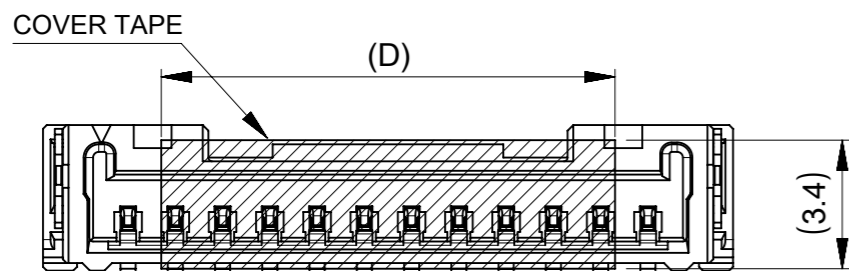
REDRAWN EC NO: 168093 DRWN: RWATANABE01 CHK'D: KOMURAKAMI APPR: TKANEKO	2017/11/28 2017/12/04	GENERAL TOLERANCES (UNLESS SPECIFIED) ANGULAR TOL ± 1.0 °	DIMENSION UNITS: mm SCALE: 5:1		
	4 PLACES ± 0.2 3 PLACES ± 0.2 2 PLACES ± 0.2 1 PLACE ± 0.2 0 PLACES ± 0.2	DRWN BY: RWATANABE01 DATE: 2017/11/28	CHK'D BY: KOMURAKAMI DATE: 2017/12/04		MICRO-LOCK PLUS 1.25 W/B SINGLE ROW ST SMT PLUG ASSY
	DRAFT WHERE APPLICABLE MUST REMAIN WITHIN DIMENSIONS	APPR BY: TKANEKO DATE: 2017/12/06	DRAWING SIZE: A3 THIRD ANGLE PROJECTION		
	A	REV	DIMENSION UNITS: mm SCALE: 5:1		DRAWING SIZE: A3 THIRD ANGLE PROJECTION

DOCUMENT NUMBER	DOC TYPE	DOC PART	SHEET NUMBER
5055680011-SD	PSD	000	1 OF 2

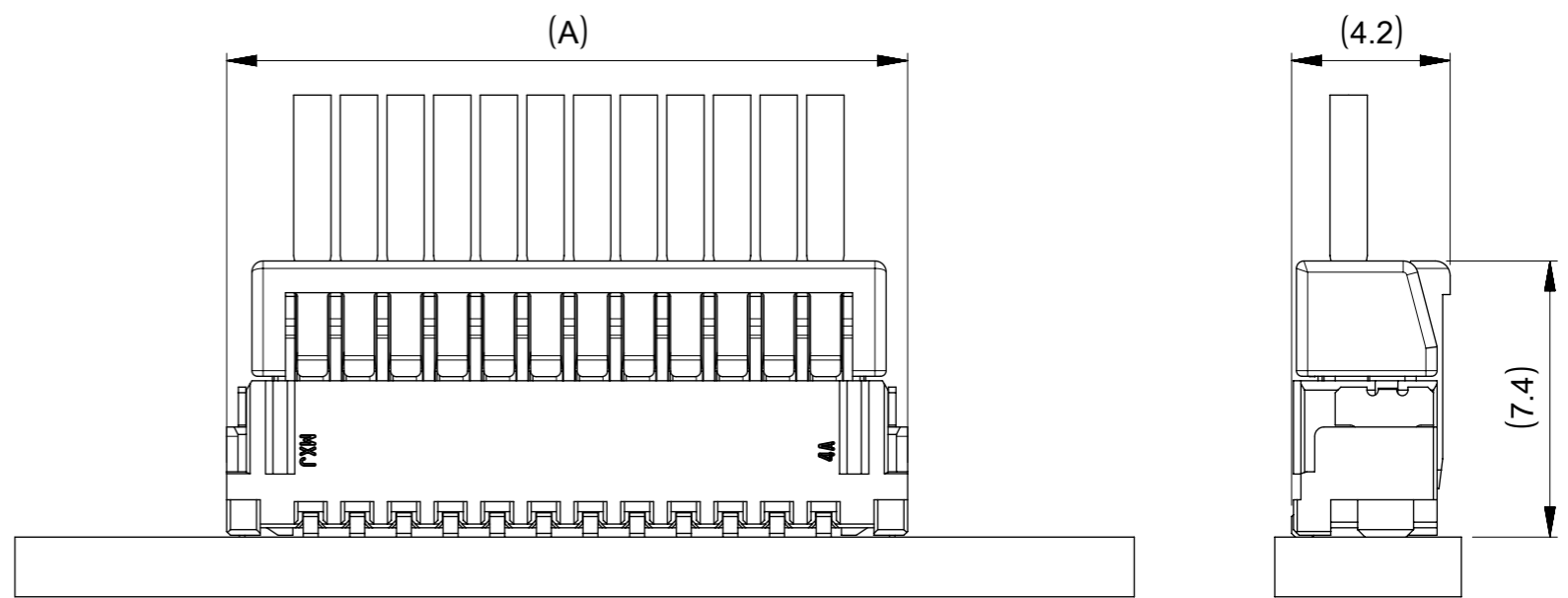


推奨基板レイアウト  
RECOMMENDED PCB PATTERN LAYOUT

(参考:メタルマスク厚さ 150μm, マスク開口率 100%)  
(REFERENCE: METAL MASK THICKNESS 150μm, APERTURE RASIO 100%)



吸着範囲  
VACUUM AREA



嵌合状態図  
MATED CONNECTORS

ORANGE	GREEN	BLUE	YELLOW	RED	BLACK	NATURAL (BEIGE)	HOUSING COLOR
5055681688	5055681686	5055681684	5055681683	5055681682	5055681681	5055681680	16
5055681588	5055681586	5055681584	5055681583	5055681582	5055681581	5055681580	15
5055681488	5055681486	5055681484	5055681483	5055681482	5055681481	5055681480	14
5055681388	5055681386	5055681384	5055681383	5055681382	5055681381	5055681380	13
5055681288	5055681286	5055681284	5055681283	5055681282	5055681281	5055681280	12
5055681188	5055681186	5055681184	5055681183	5055681182	5055681181	5055681180	11
5055681088	5055681086	5055681084	5055681083	5055681082	5055681081	5055681080	10
5055680988	5055680986	5055680984	5055680983	5055680982	5055680981	5055680980	9
5055680888	5055680886	5055680884	5055680883	5055680882	5055680881	5055680880	8
5055680788	5055680786	5055680784	5055680783	5055680782	5055680781	5055680780	7
5055680688	5055680686	5055680684	5055680683	5055680682	5055680681	5055680680	6
5055680588	5055680586	5055680584	5055680583	5055680582	5055680581	5055680580	5
5055680488	5055680486	5055680484	5055680483	5055680482	5055680481	5055680480	4
5055680388	5055680386	5055680384	5055680383	5055680382	5055680381	5055680380	3
5055680288	5055680286	5055680284	5055680283	5055680282	5055680281	5055680280	2
EMBOSSED TAPE PKG	EMBOSSED TAPE PKG	EMBOSSED TAPE PKG	EMBOSSED TAPE PKG	EMBOSSED TAPE PKG	EMBOSSED TAPE PKG	EMBOSSED TAPE PKG	極数 CKT NO.
ORDER NO.	ORDER NO.	ORDER NO.	ORDER NO.	ORDER NO.	ORDER NO.	ORDER NO.	

THIS DRAWING CONTAINS INFORMATION THAT IS PROPRIETARY TO MOLEX ELECTRONIC TECHNOLOGIES, LLC AND SHOULD NOT BE USED WITHOUT WRITTEN PERMISSION

REDRAWN EC NO: 168093 DRWN: RWATANABE01 CHK'D: KOMURAKAMI APPR: TKANEKO	2017/11/28 2017/12/04 2017/12/06	GENERAL TOLERANCES (UNLESS SPECIFIED) ANGULAR TOL ± 1.0 ° 4 PLACES ± 0.2 3 PLACES ± 0.2 2 PLACES ± 0.2 1 PLACE ± 0.2 0 PLACES ± 0.2	DIMENSION UNITS: mm SCALE: 5:1 DRWN BY: RWATANABE01 DATE: 2017/11/28 CHK'D BY: KOMURAKAMI DATE: 2017/12/04 APPR BY: TKANEKO DATE: 2017/12/06				
	DRAFT WHERE APPLICABLE MUST REMAIN WITHIN DIMENSIONS		DRAWING SIZE: A3 THIRD ANGLE PROJECTION				
	PRODUCT CUSTOMER DRAWING				SERIES: 505568 MATERIAL NUMBER: SEE CHART CUSTOMER: GENERAL		
	DOCUMENT NUMBER: 5055680011-SD DOC TYPE: PSD DOC PART: 000 SHEET NUMBER: 2 OF 2						