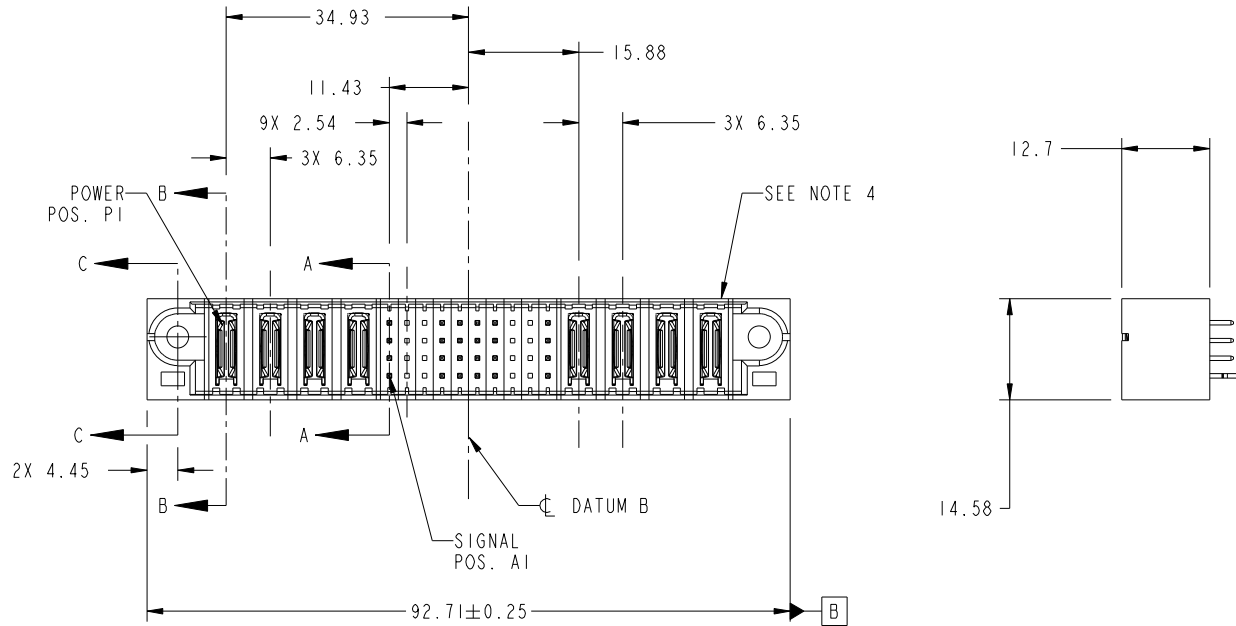


Tous droits strictement reserves. Reproduction ou communication a des tiers interdite sous quelque forme que ce soit sans autorisation écrite du propriétaire. Propriete de c FCI. Droits de reproduction FCI.



All rights strictly reserved. Reproduction or issue to third parties in any form whatever is not permitted without written authority from the proprietor. Property of FCI. Copyright FCI.

PRODUCT NO.	ROWS	POWER				SIGNAL										POWER						
		E1	P1	P2	P3	P4	1	2	3	4	5	6	7	8	9	10	P5	P6	P7	P8	E2	
51710-039-- NOTE ③	D C B A						E	X	X	X	E	E	E	E	X	X	E					



CODE	DIM "M" MATING LENGTH	CONTACT TYPE
PA	[N/A]	POWER
E	[6.86]	SIGNAL
HA	[N/A]	HOLD-DOWN
H	[5.59]	SIGNAL
X	OMITTED	OMITTED

mat'l code				tolerances unless otherwise specified		CUSTOMER	
ltr	ecn no.	dr	date	linear	0.X ±0.5	COPY	
A	DG10-0044	AL	01/29/2010	angles	0.XX ±0.25	projection	
					0.XXX ±0.1		
					0° ±2°		
				dr	Anson Liu 01/29/2010	product family	
				enr	Jerome Chen 01/29/10	PwrBlade	
				chr	PM Zheng 01/29/2010	size	code
				appd	JOSEPH HSIA 01/29/2010	dwg no	213
sheet index	revision sheet	A	A	A	A	51710-039	sheet 1 of 4
		1	2	3	4		

www.fciconnect.com		title	
4P + 40S + 4P		VERTICAL STB HEADER	
product family		code	
PwrBlade		213	
size		sheet	
A		1 of 4	
scale		cage code	
1:1		22526	

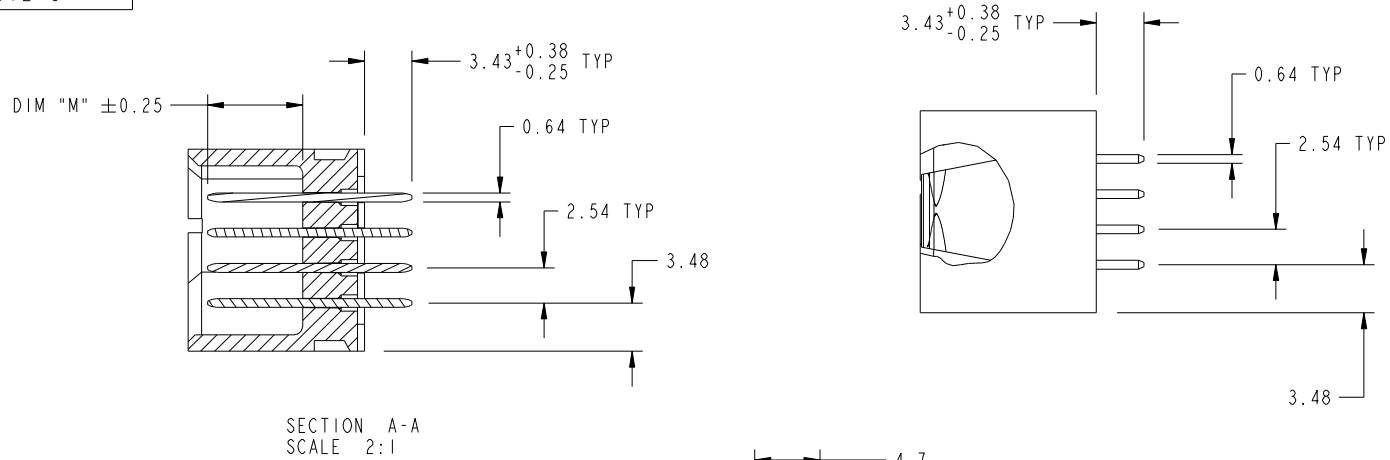
Pro/E	3	4
-------	---	---

Tous droits strictement reserves. Reproduction ou communication a des tiers interdite sous quelque forme que ce soit sans autorisation écrite du propriétaire. Propriete de c FCI. Droits de reproduction FCI.

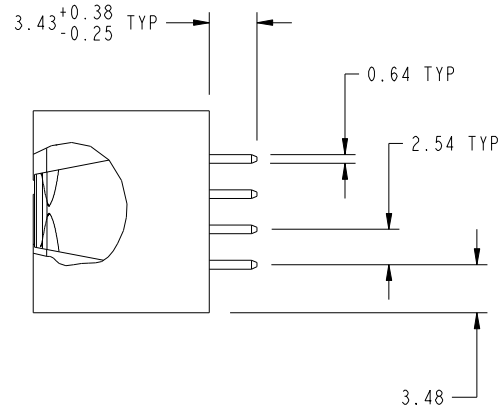
All rights strictly reserved. Reproduction or issue to third parties in any form whatever is not permitted without written authority from the proprietor. Property of FCI. Copyright FCI.



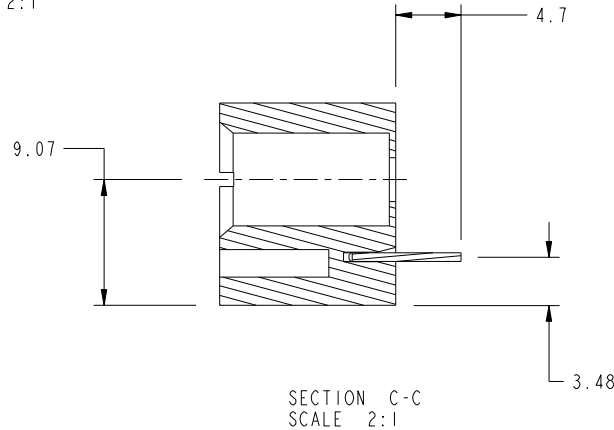
PRODUCT NUMBER  
51710-039\_\_  
NOTE 3



SECTION A-A  
SCALE 2:1



SECTION B-B  
SCALE 2:1



SECTION C-C  
SCALE 2:1

mat'l code				tolerances unless otherwise specified		CUSTOMER		FCI	
ltr	ecn no.	dr	date	linear	0.X ±0.5	COPY		www.fciconnect.com	
A					0.XX ±0.25	projection		title	
				angles	0.XXX ±0.1			4P + 40S + 4P VERTICAL STB HEADER	
				dr	0° ±2°			product family PwrBlade code 213	
				enr	Anson Liu 01/29/2010	scale		size dwg no 213	
				chr	Jerome Chen 01/29/10	1:1		sheet 2 of 4	
				appd	PM Zheng 01/29/2010			51710-039	
					JOSEPH HSIA 01/29/2010				
sheet index		revision sheet							

cage code 22526

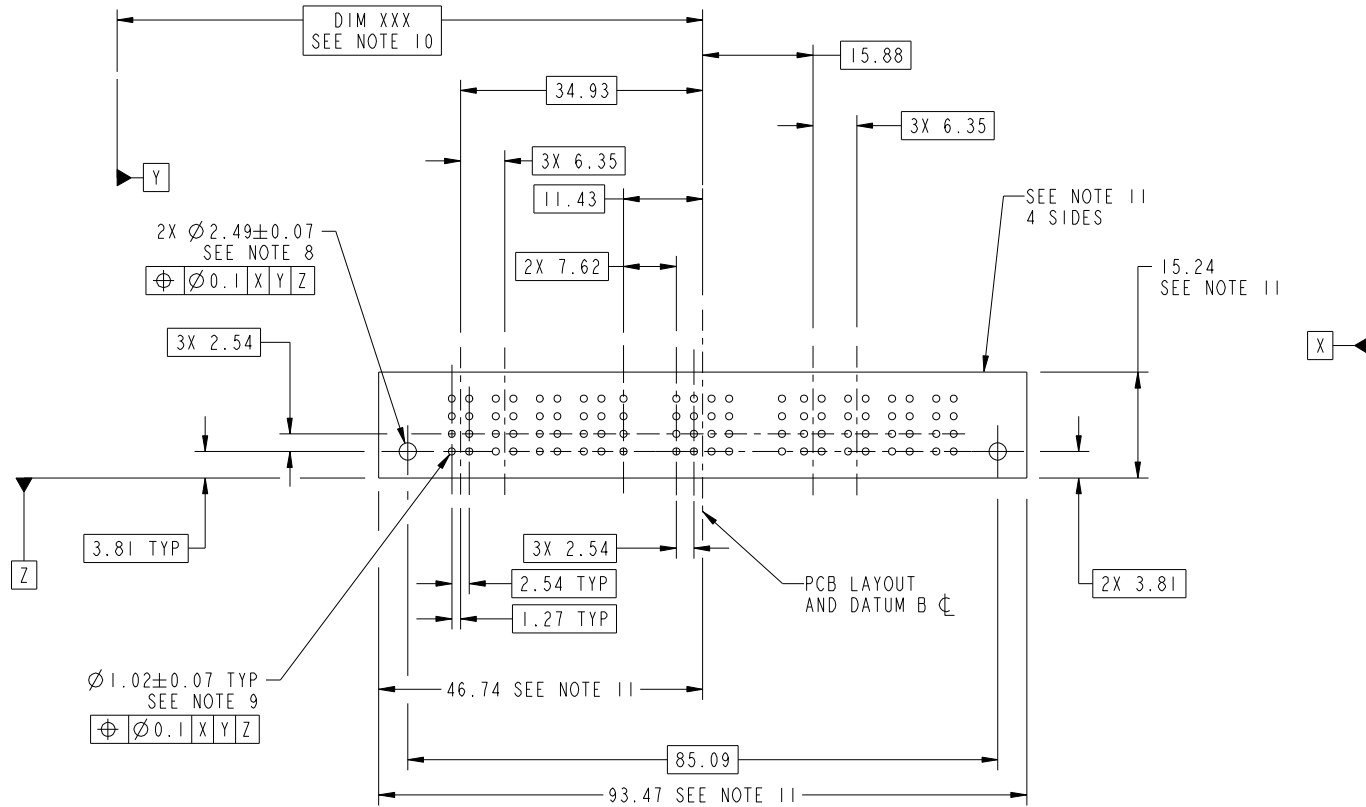
Pro/E

Tous droits strictement reserves. Reproduction ou communication a des tiers interdite sous quelque forme que ce soit sans autorisation écrite du propriétaire. Propriete de c FCI. Droits de reproduction FCI.



All rights strictly reserved. Reproduction or issue to third parties in any form whatever is not permitted without written authority from the proprietor. Property of FCI. Copyright FCI.

PRODUCT NUMBER  
51710-039\_\_  
NOTE 3



RECOMMENDED PCB LAYOUT

mat'l code				tolerances unless otherwise specified		CUSTOMER		FCI	
ltr	ecn no.	dr	date	linear	0.X ± 0.5	COPY		www.fciconnect.com	
A					0.XX ± 0.25	projection		title	
				angles	0.XXX ± 0.1			4P + 40S + 4P VERTICAL STB HEADER	
				dr	0° ± 2°	MIM		product family PwrBlade code 213	
				enr	Anson Liu 01/29/2010			size dwg no 213	
				chr	Jerome Chen 01/29/10	scale		sheet 3 of 4	
				appd	PM Zheng 01/29/2010	1:1		51710-039	
					JOSEPH HSIA 01/29/2010				
sheet index	revision sheet								

cage code 22526

Pro/E

Tous droits strictement reserves. Reproduction ou communication a des tiers interdite sous quelque forme que ce soit sans autorisation écrite du propriétaire. Propriete de c FCI. Droits de reproduction FCI.

All rights strictly reserved. Reproduction or issue to third parties in any form whatever is not permitted without written authority from the proprietor. Property of FCI. Copyright FCI.

PRODUCT NUMBER  
51710-039--  
NOTE 3

NOTES:

1. DIMENSIONS AND TOLERANCES ARE IN ACCORDANCE WITH ASME Y14.5M, 1994 UNLESS OTHERWISE SPECIFIED.

CONNECTOR NOTES:

- 2 HOUSING MATERIAL: UL 94 V-0 GLASS FILLED HIGH-TEMP THERMOPLASTIC  
POWER CONTACT MATERIAL: COPPER ALLOY  
SIGNAL PIN MATERIAL: COPPER ALLOY
- 3. PLATING:  
SEE ITEM 1&2 IN PRINT 10064183 FOR PLATING SPEC OF 51710-039,51710-039LF RESPECTIVELY
- 4 MANUFACTURER'S NAME, DATE CODE AND OPTIONAL P/N TO APPEAR ON THIS SURFACE. THE P/N CAN BE OMITTED IF THERE IS NOT ENOUGH SPACE ON THIS SURFACE.
- 5. PRODUCT SPECIFICATION GS-12-149.  
APPLICATION SPECIFICATION BUS-20-067.
- 6. PACKAGED IN TRAYS.

PCB NOTES:

- 7. ALL HOLE DIAMETERS ARE FINISHED HOLE SIZE.
- 8. MOUNTING HOLES, WHERE APPLICABLE, ARE UNPLATED.

9  $\varnothing 1.151 \pm 0.025$  DRILLED HOLES PLATED WITH  
0.008 MIN SnPb OR Sn OVER .001 [0.03]  
TO 0.08 Cu PLATING TO ACHIEVE  
 $\varnothing 1.02 \pm 0.07$  HOLE.

10 "DIM XXX" TO BE DETERMINED BY THE CUSTOMER.

11 CONNECTOR KEEP-OUT ZONE.

mat'l code				tolerances unless otherwise specified			CUSTOMER		FCI	
ltr	ecn no.	dr	date	linear	0.X ± 0.5		COPY		www.fciconnect.com	
A					0.XX ± 0.25		projection		title	
					0.XXX ± 0.1				4P + 40S + 4P VERTICAL STB HEADER	
				angles	0° ± 2°				product family PwrBlade code	
				dr	Anson Liu	01/29/2010	size		213	
				enr	Jerome Chen	01/29/10	dwg no		sheet	
				chr	PM Zheng	01/29/2010	scale		4 of 4	
				appd	JOSEPH HSIA	01/29/2010	1:1		A 51710-039	
sheet index	revision sheet									

cage code 22526

Pro/E