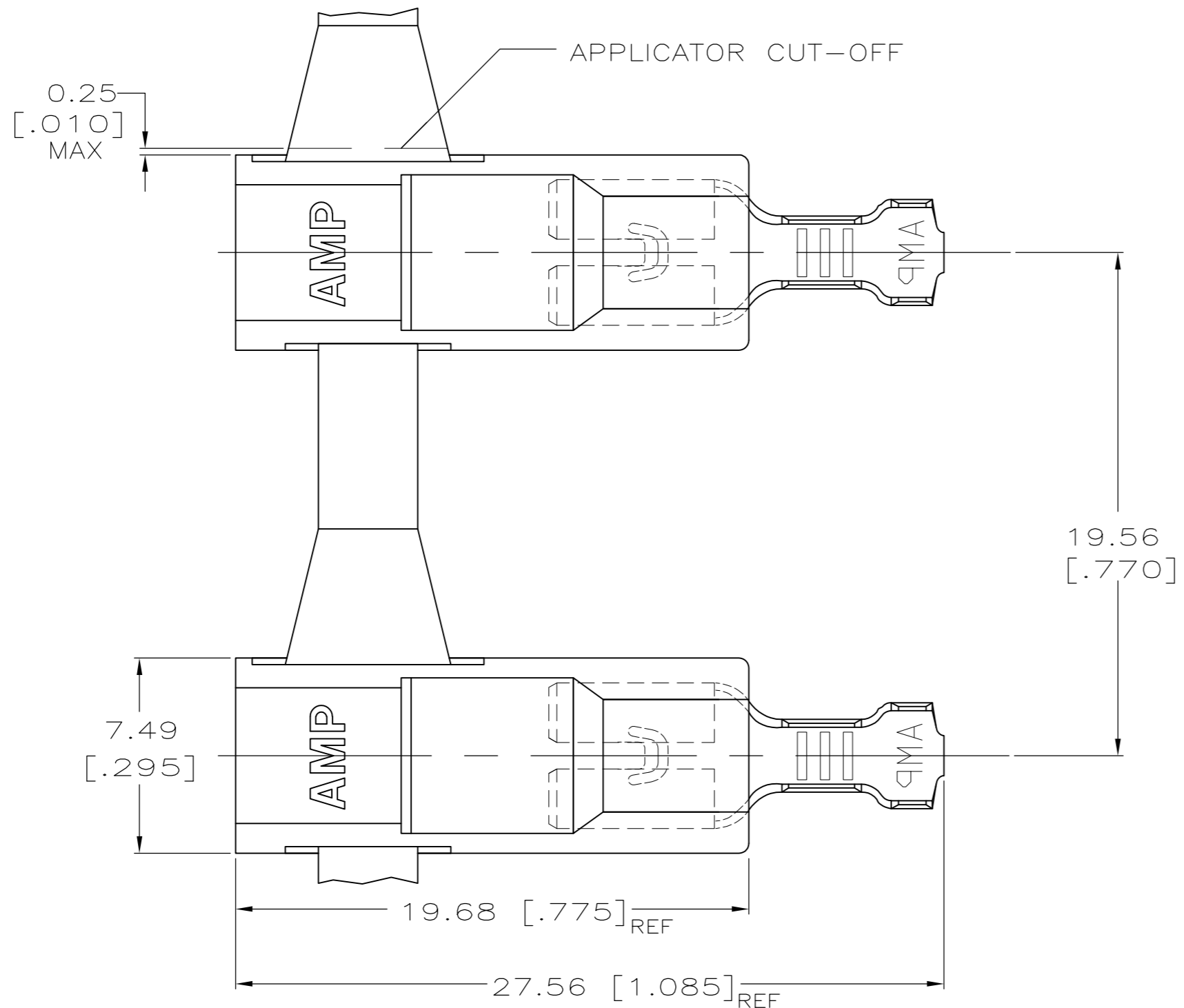
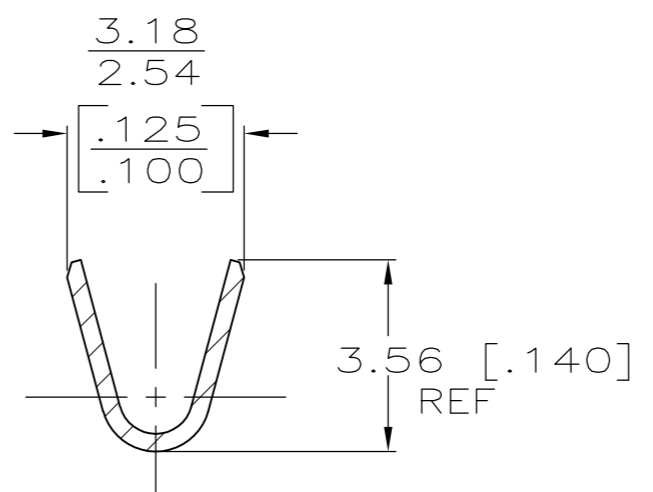


THIS DRAWING IS UNPUBLISHED. RELEASED FOR PUBLICATION
 © COPYRIGHT - By - ALL RIGHTS RESERVED.

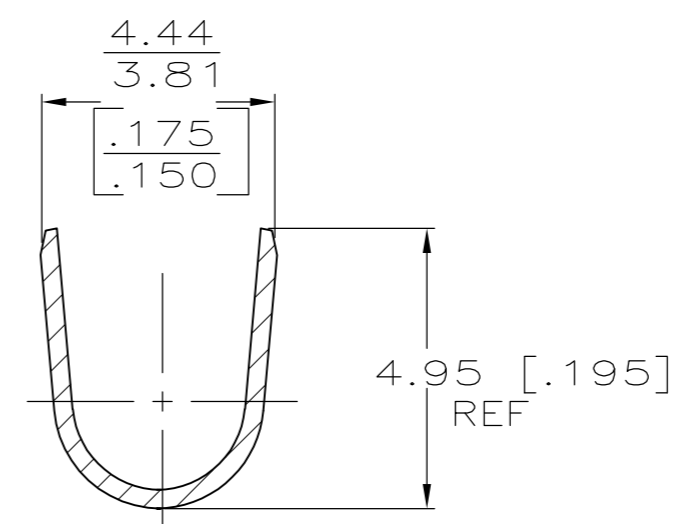
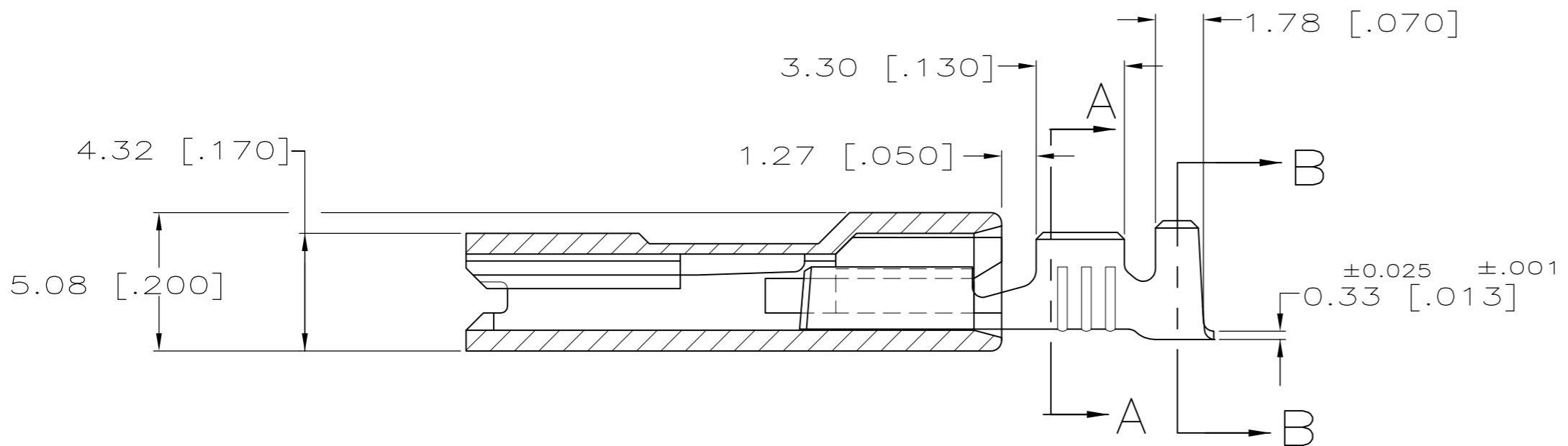
LOC	DIST	REVISIONS			
P	LTR	DESCRIPTION	DATE	DWN	APVD
AF	50	B	REVISED PER ECR-12-013062	18DEC12	KH KR



- 1 FASTON TERMINALS, BASE P/N 63654, ARE USED IN THIS PRODUCT.
- 2 TIN PLATE PER MIL-T-10727, 0.001016 [.000040] MIN.
- 3 MATERIAL: HOUSING- 6/6 NYLON, V0
 TERMINAL- H04 BRASS,
 STRESS RELIEVED FASTON TERMINAL



SECTION A-A
SCALE 8:1



SECTION B-B
SCALE 8:1

STANDARD	NATURAL	TIN Δ	2.29-3.30 [.090-.130]	0.5-1.3 mm ² [20-16]	0.813 [.032]	521830-2
PACKAGING	HOUSING COLOR	TERMINAL FINISH	INSULATION RANGE	WIRE SIZE	MATING TAB THK ±0.025 [±.001]	PART NO.

THIS DRAWING IS A CONTROLLED DOCUMENT.		DWN	JR RUTH	17JUN05	 TE Connectivity ASSEMBLY, RECEPTACLE, ULTRA-POD, 4.8 [.187] SERIES	
DIMENSIONS:		CHK	G PORTA	17JUN05		
mm [INCHES]		APVD	G PORTA	17JUN05		
TOLERANCES UNLESS OTHERWISE SPECIFIED: 0 PLC ± - 1 PLC ± - 2 PLC ± - 3 PLC ± 0.25 [.010] 4 PLC ± - ANGLES ± - FINISH -		PRODUCT SPEC	118-1285			
MATERIAL	Δ	APPLICATION SPEC	114-2124		SIZE	A2
		WEIGHT	-		CAGE CODE	00779
		CUSTOMER DRAWING			DRAWING NO	C=521830
		SCALE	5:1		SHEET	1 of 1
		REV	B			

521830