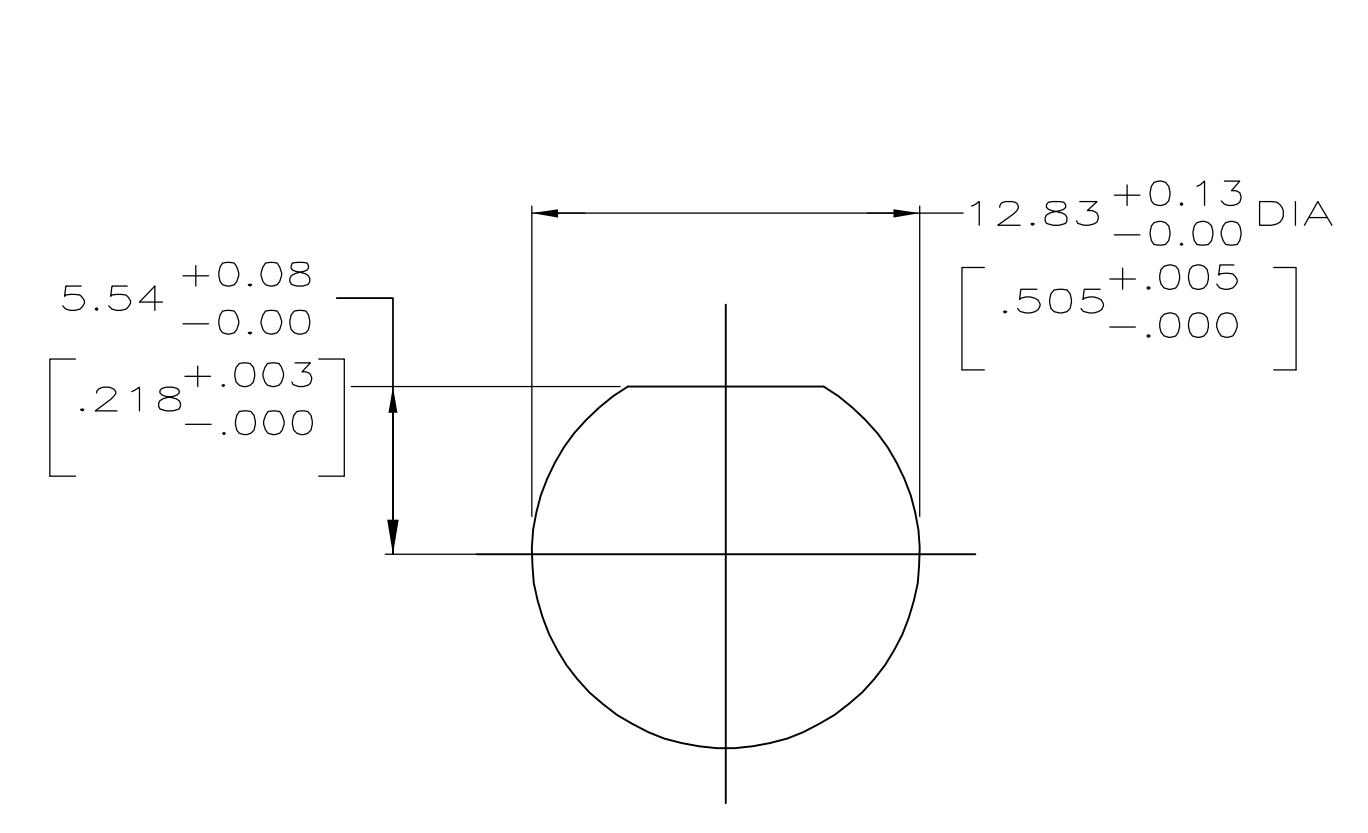
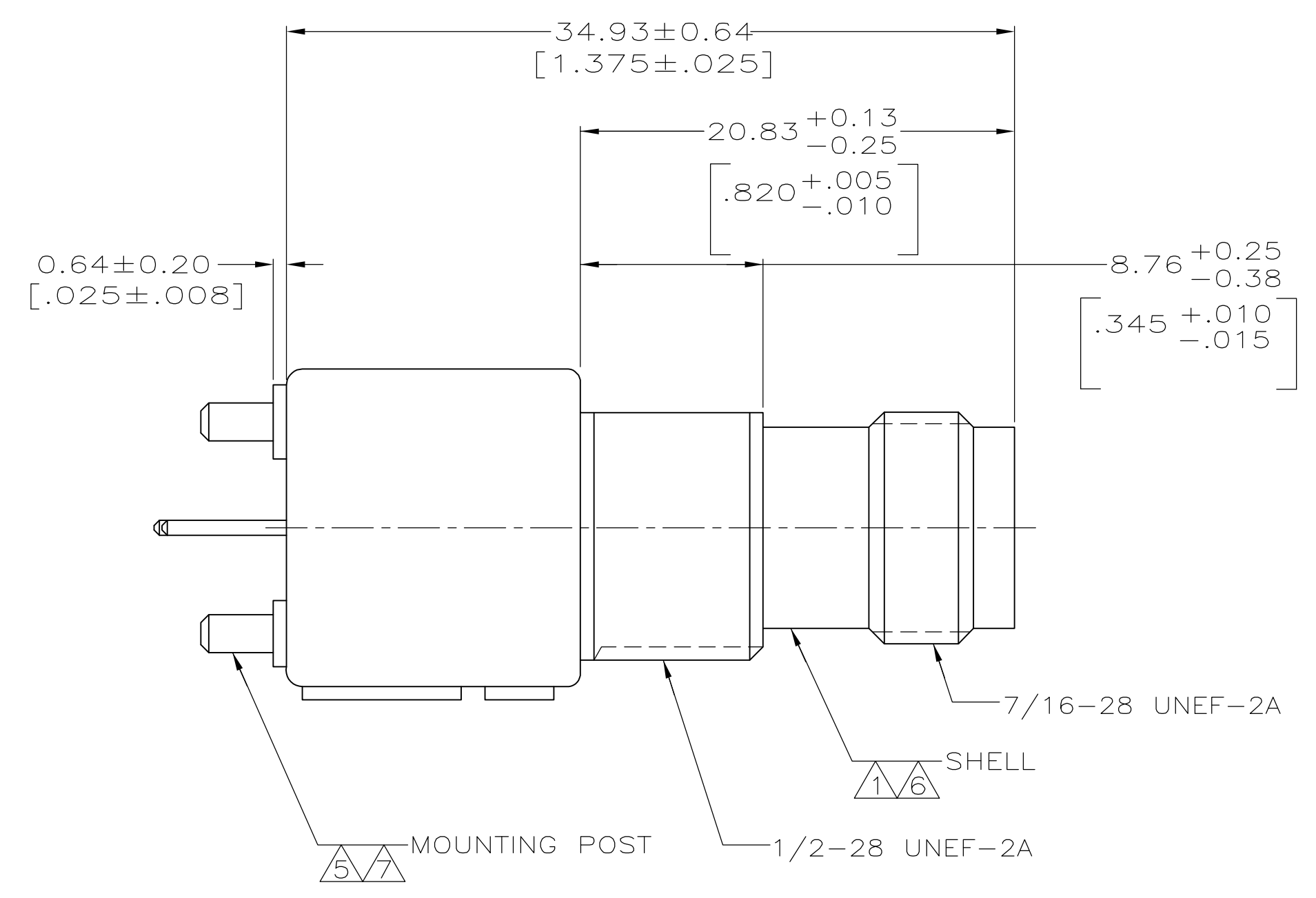
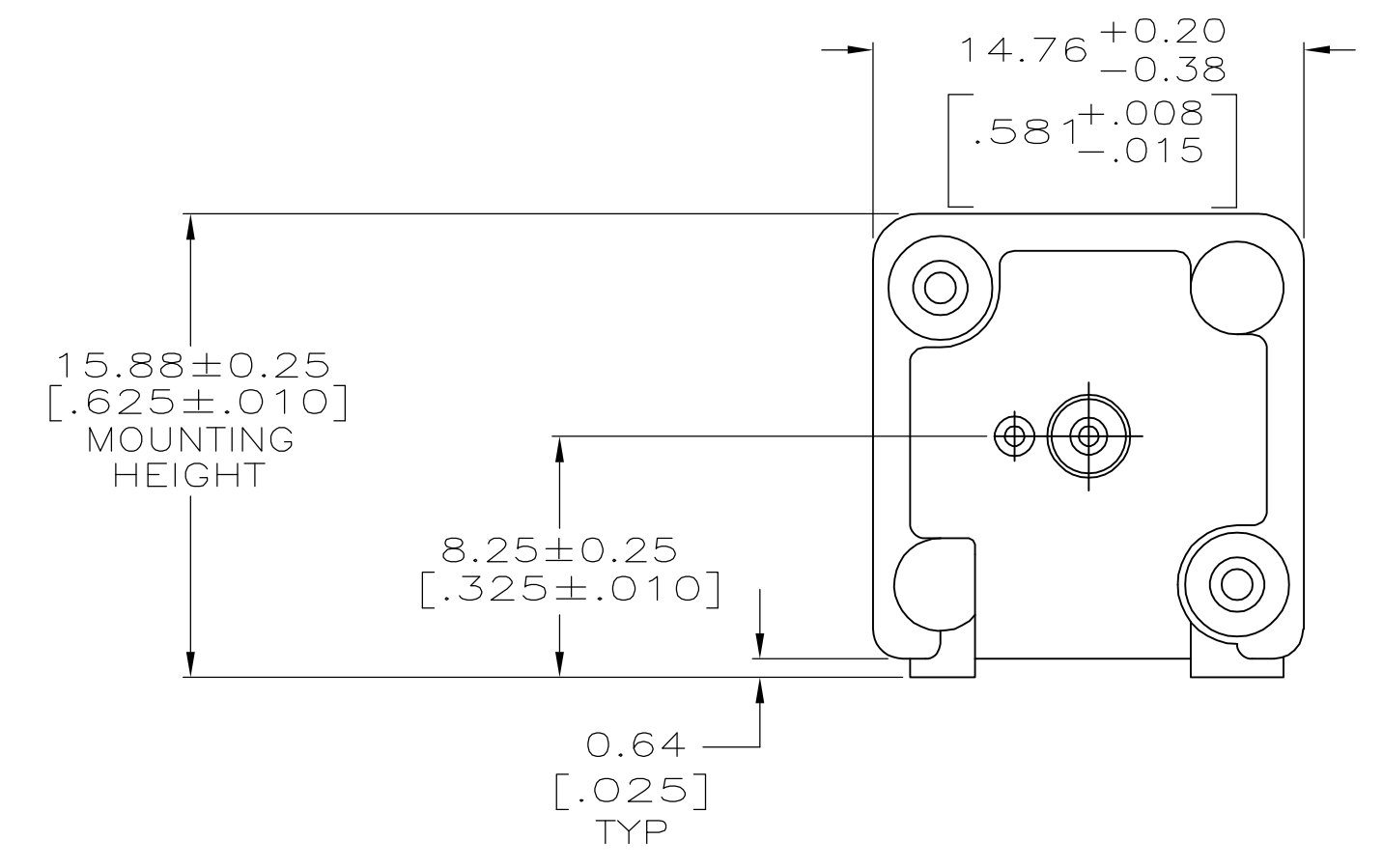
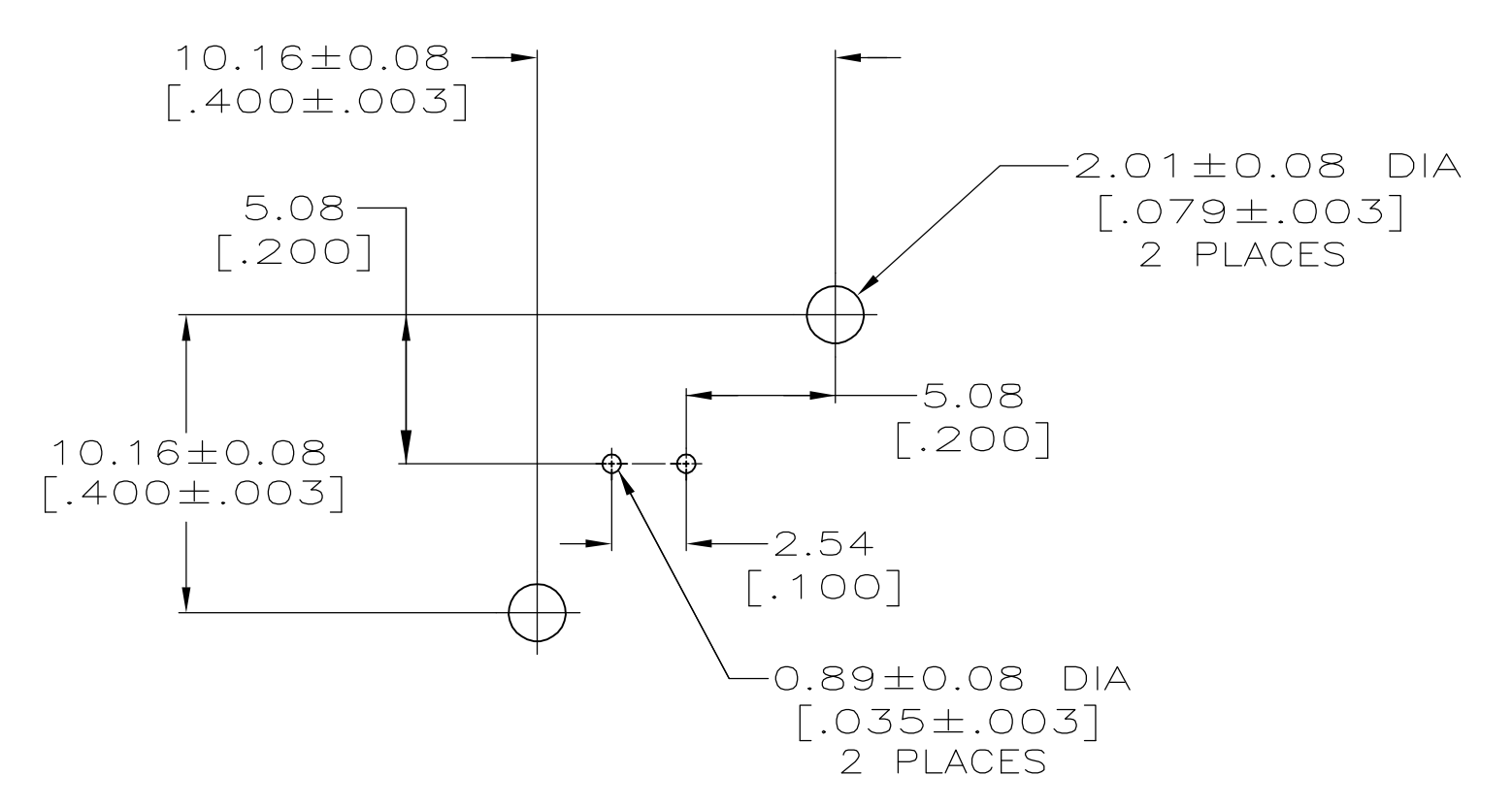


- $\triangle 1$  ZINC PER QQ-Z-363.
- $\triangle 2$  POLYMETHYLPENTENE, GENERAL PURPOSE.
- $\triangle 3$  PHOSPHOR BRONZE PER QQ-B-750.
- $\triangle 4$  BRASS PER ASTM-B-453.
- $\triangle 5$  BRASS PER ASTM-B-16.
- $\triangle 6$  NICKEL PLATE PER QQ-N-290,  
3.81  $\mu$ m [.000150] MINIMUM THK
- $\triangle 7$  TIN PLATE PER ASTM-B-545,  
3.81  $\mu$ m [.000150] MINIMUM THK
- $\triangle 8$  GOLD PLATE PER MIL-G-45204,  
0.76  $\mu$ m [.000030] MINIMUM THK
- 9 SEE INSTRUCTION SHEET 408-2769



RECOMMENDED PANEL CUTOUT



PCB CONFIGURATION

5227835-1  
PART NUMBER

|  |                         |                                 |   |
|--|-------------------------|---------------------------------|---|
| THIS DRAWING IS A CONTROLLED DOCUMENT. |                         | DWN<br>DK SCHRUM<br>30NOV2006   | <br>Tyco Electronics Corporation<br>Harrisburg, PA 17105-3608 |
| DIMENSIONS:<br>mm[INCHES]              |                         | CHK<br>JT LIPPERT<br>30NOV2006  |   |
| TOLERANCES UNLESS OTHERWISE SPECIFIED: |                         | APVD<br>JT LIPPERT<br>30NOV2006 | NAME<br>JACK, VERTICAL, PCB,<br>50 Ohm, SERIES TNC            |
| 0 PLC ± -                              | 1 PLC ± -               | PRODUCT SPEC                    | SIZE<br>A1  |
| 2 PLC ± 0.05 [.002]                    | 3 PLC ± -               | APPLICATION SPEC                | CAGE CODE<br>5227835  |
| 4 PLC ± -                              | ANGLES ± -              | WEIGHT                          | DRAWING NO<br>5227835   |
| MATERIAL<br>SEE NOTES 1-5              | FINISH<br>SEE NOTES 6-8 | CUSTOMER DRAWING                | RESTRICTED TO<br>-  |
|  |                         | SCALE<br>4:1                    | SHEET<br>1 OF 1   |
|  |                         | REV<br>A                        |   |