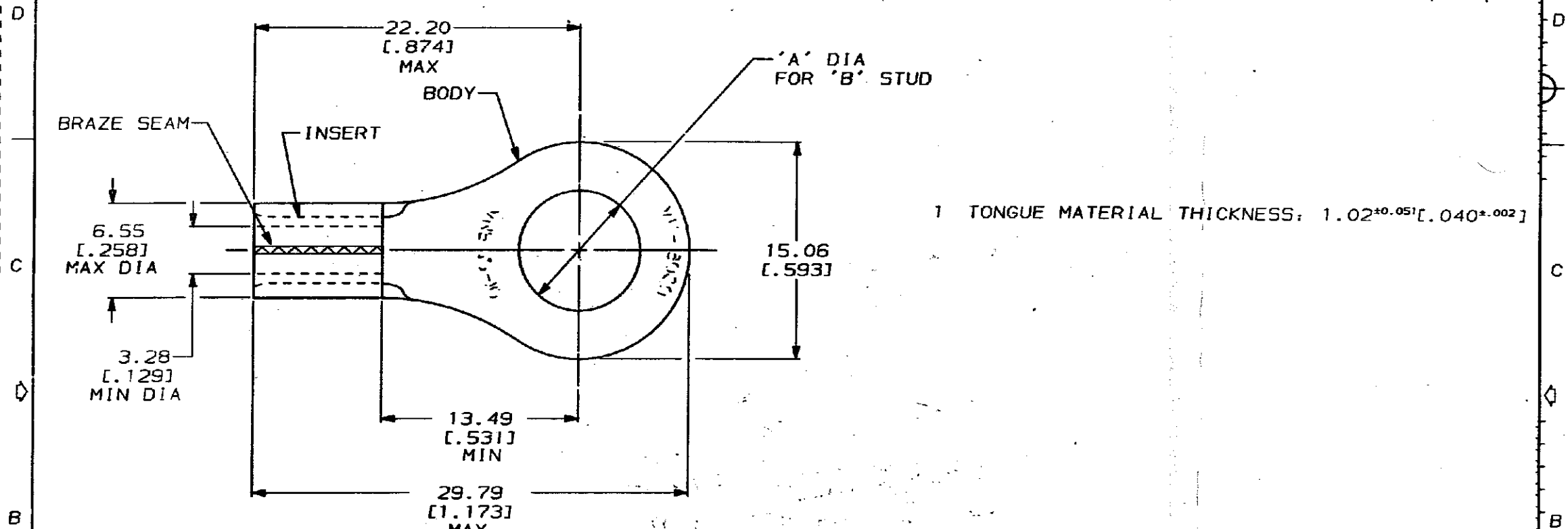


DRAWING MADE IN THIRD ANGLE PROJECTION

THIS DRAWING IS UNPUBLISHED. RELEASED FOR PUBLICATION .19
 © COPYRIGHT 19 BY AMP INCORPORATED. ALL INTERNATIONAL RIGHTS RESERVED.

LOC	DIST	P	F	ZONE	LTR	DESCRIPTION	DATE	APPD
G	86				E	REVISED & REDRAWN PER G-5627	11/27/90	g5



8.33 ^{+0.13} [.328 ^{+0.005}]	5/16	BODY: COPPER QQ-C-576 TIN PL 0.00381 [.000150] MIN THK PER MIL-T-10727	52590-2
6.73 ^{+0.13} [.265 ^{+0.005}]	1/4	INSERT: BRASS MIL-C-50 TIN PL 0.00254 [.000100] MIN THK PER MIL-T-10727	52590-1
9.91^{+0.13} [.390^{+0.005}]	3/8		52590
A	B	MATERIAL & FINISH	PART NO
DO NOT SCALE PRINT. - UNLESS SPECIFIED DIMENSIONS IN mm (INCHES) TOLERANCES ON: 2 PLG DEC ± 0.20(.008) 3 PLG DEC ± - ANGLES ± -		OR 11/27/90 OK SCHUBB CHK 11/29/90 RS FEHER APPD 12/12/90 PJ RUEL IUS APPD 12/17/90 AJ ADELMANN	AMP Incorporated Harrisburg, PA 17105-3608
SEE TABLE		PRODUCT SPEC	WIRE TERMINAL, COPALUM-STRANDED/SOLID-RING TONGUE WIRE SIZE: 3.0-5.0mm ² [#12-#10]
SEE TABLE		APPLICATION SPEC	SIZE B CAGE CODE 00779 DRAWING NO 52590
		WEIGHT -	SCALE 4:1 SHEET 1 OF 1

METRIC

AMP 1470-15 REV 11-89
 27 NOV 1990 16.08.87 AMP 5463 - 65280-05PC129-METRIC-04 COPALUM

CUSTOMER DRAWING