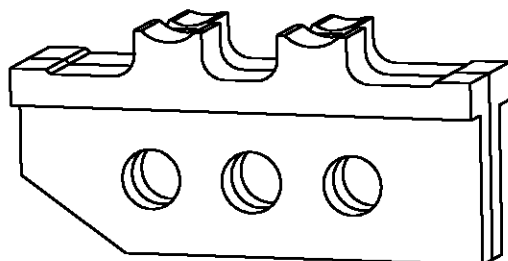
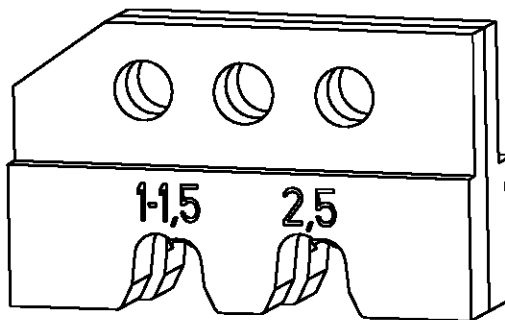


LOC	DIST	REVISIONS				
P	LTR	DESCRIPTION	DATE	DWN	APVD	
A1	-					
	A	new drawing	11FEB2002	-	-	

Kontakt Contact	DGB (mm <sup>2</sup> ) Wire Range	Drahtcrimp/Wirecrimp Hoehe/Height	Breite/Width	Isocrimp Breite/Width	Iso.-∅ Ins. Range	Betriebsanl. Instr. Sheet
42565 / 160447 / 160449	1.0-1.5	1.60	2.80	4.60	3.0-4.3	411-18181
	2.5	1.87				



539731-2	1	8-539634-5	screw M4x11	Schraube M4x11	A
	1	0-519151-9	screw M4x10	Schraube M4x10	A
	QTY Stck	PN	Description	Benennung	REV

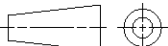
19

RELEASED FOR PUBLICATION

THIS DRAWING IS UNPUBLISHED.

BY TYCO ELECTRONICS CORPORATION. ALL RIGHTS RESERVED.

© COPYRIGHT 19

DIMENSIONS: mm-DIN 7168-m	DWN M.Heiss	24 JAN2000	MATERIAL	-	FINISH	-
	CHK U.Reuter	24 JAN2000	<b>AMP</b> tyco Electronics AMP GmbH D - 64625 Bensheim			
TOLERANCES UNLESS OTHERWISE SPECIFIED:	APVD	-				
0 PLC ±	PRODUCT SPEC	-	NAME ERGOCRIMP Die Set for 6.3 mm FASTIN-FASTON			
1 PLC ±	APPLICATION SPEC	-	SIZE	CAGE CODE	DRAWING NO	RESTRICTED TO
2 PLC ±			A 4	00779	©=539731-2	-
3 PLC ±	WEIGHT	-	CUSTOMER DRAWING			SCALE
4 PLC ±						2:1
ANGLES ±						SHEET 1 OF 1
						REV A