

4

3

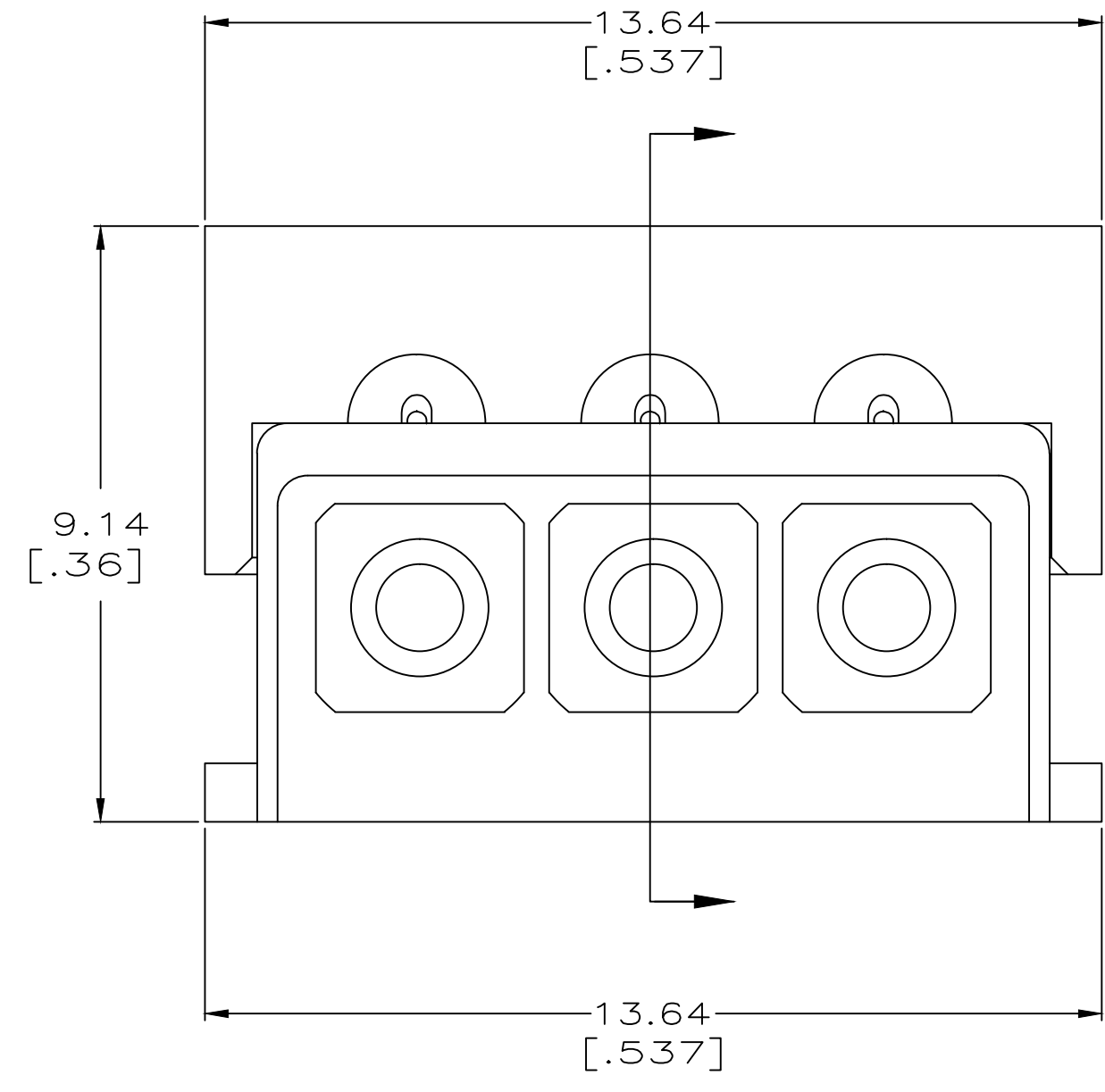
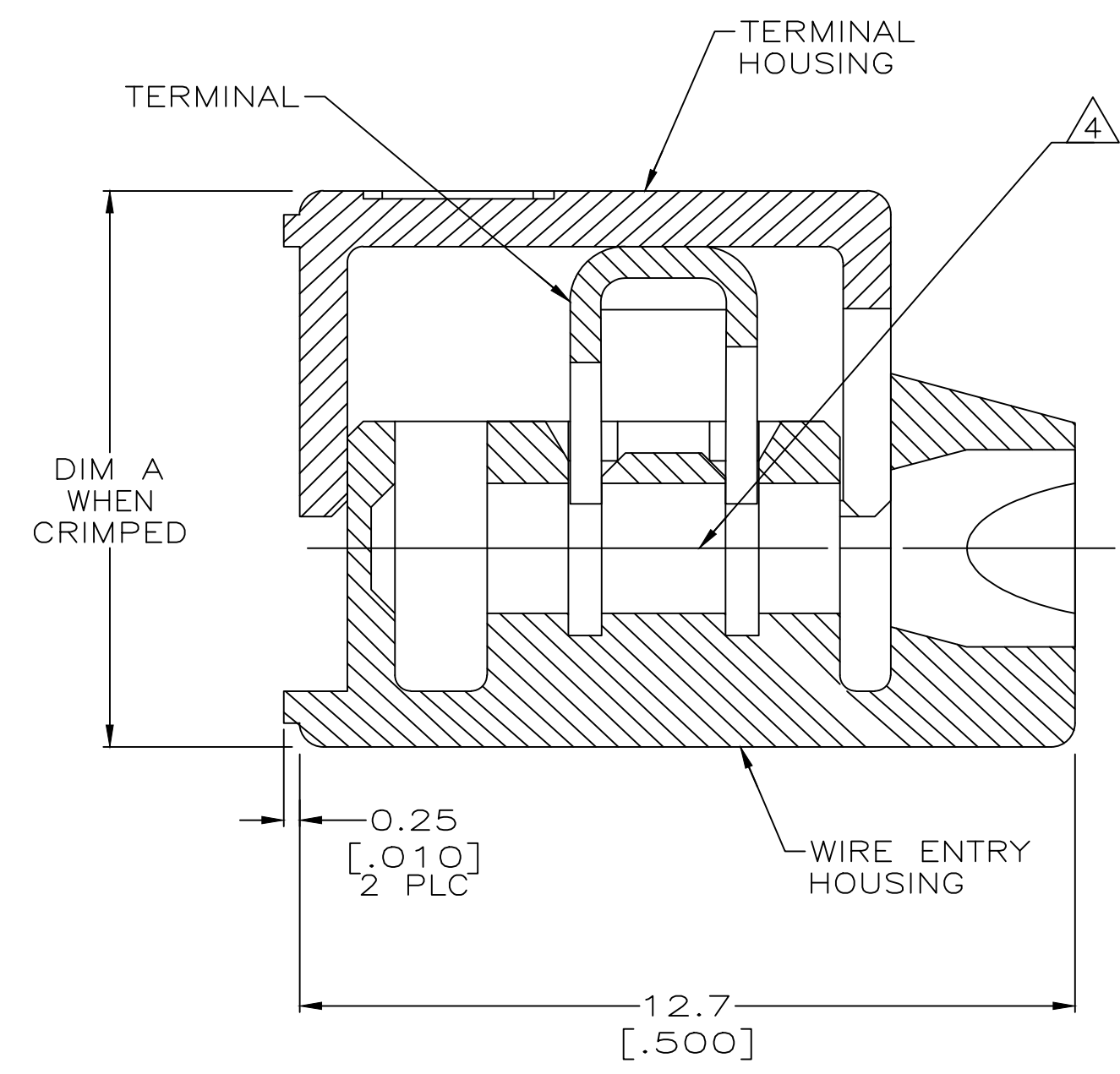
2

1

THIS DRAWING IS UNPUBLISHED. RELEASED FOR PUBLICATION
 © COPYRIGHT BY TYCO ELECTRONICS CORPORATION. ALL RIGHTS RESERVED.

LOC	DIST	REVISIONS					
HM	00	P	LTR	DESCRIPTION	DATE	DWN	APVD
		P		REV; MCO--40023340MCO	09OCT2015	HG	JD

- ⚠ ALL DIMENSIONS SHOWN ARE MAXIMUM UNLESS OTHERWISE SPECIFIED.
- ⚠ MATERIAL:
HOUSINGS - POLYCARBONATE, FLAME RETARDANT, CLEAR.
TERMINALS - TIN PLATED PHOS BRONZE.
- 3. WIRE RANGE: 19-26 AWG SOLID COPPER CONDUCTORS.
- ⚠ TEL SPLICE ASSEMBLIES 553759-3 INCLUDES SEALANT.



6.65 [.262]	24-26
7.01 [.276]	19-22
DIM A	WIRE AWG

PACKAGED	DESCRIPTION	PART NO.
1000/BOX	FILLED	553759-4
1000/BAG	FILLED	553759-3
OBSOLETE	BULK	UNFILLED 553759-2
OBSOLETE	100/BOX	UNFILLED 1-553759-1

THIS DRAWING IS A CONTROLLED DOCUMENT.

DWN T. SPRINKLE 07NOV97	Tyco Electronics Corporation Harrisburg, Pa 17105-3608		
CHK T. SPRINKLE 07NOV97			
APVD G. THRUSH 07NOV97			
NAME		TEL-SPLICE ASSEMBLY, 3 WIRE, FLAME RETARDANT	
PRODUCT SPEC		SIZE	CAGE CODE
APPLICATION SPEC		114-6010	00779
WEIGHT		DRAWING NO C-553759	
CUSTOMER DRAWING		SCALE	SHEET
		10:1	1 OF 1
		REV	P

553759