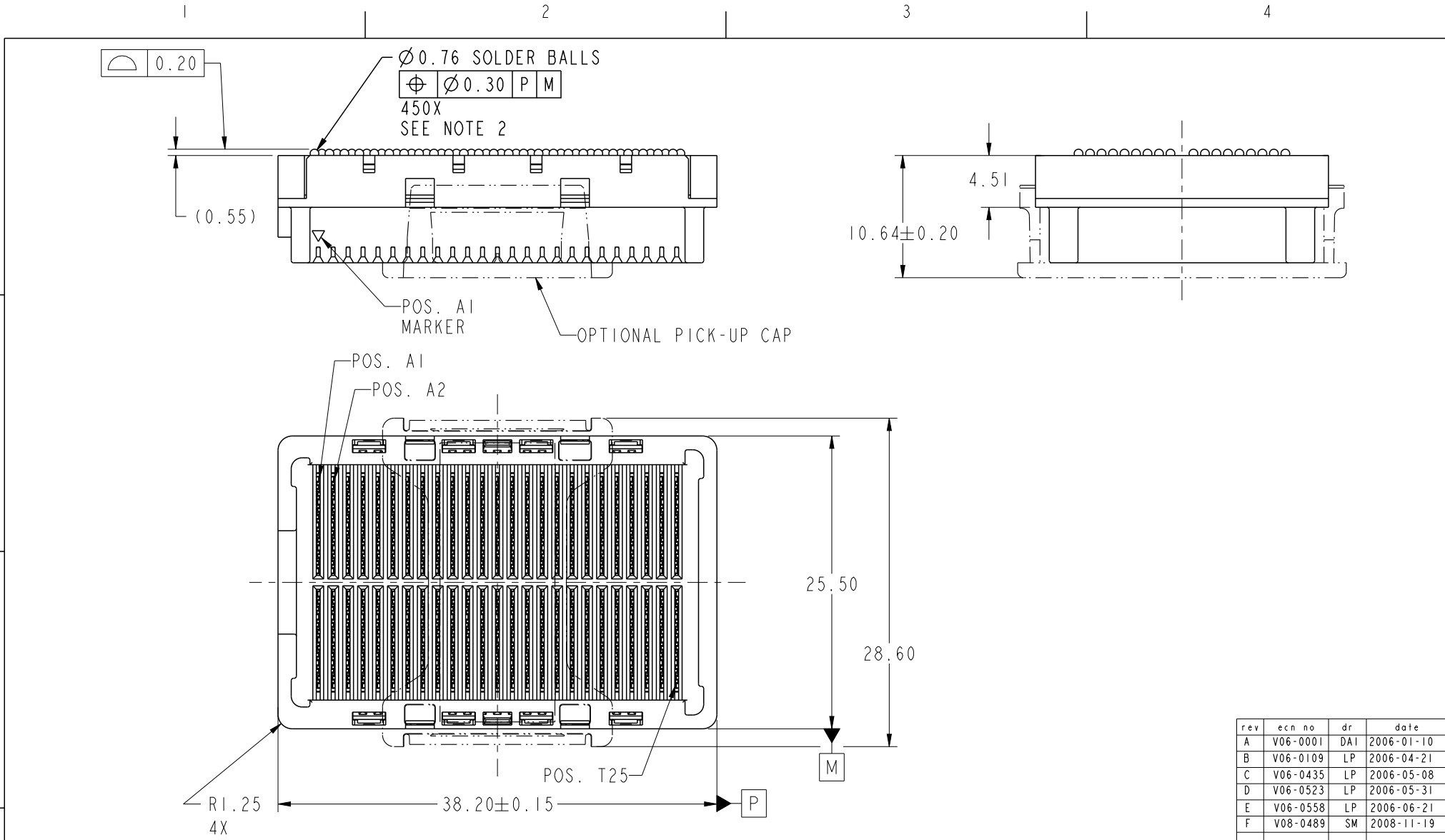




Copyright FCI.

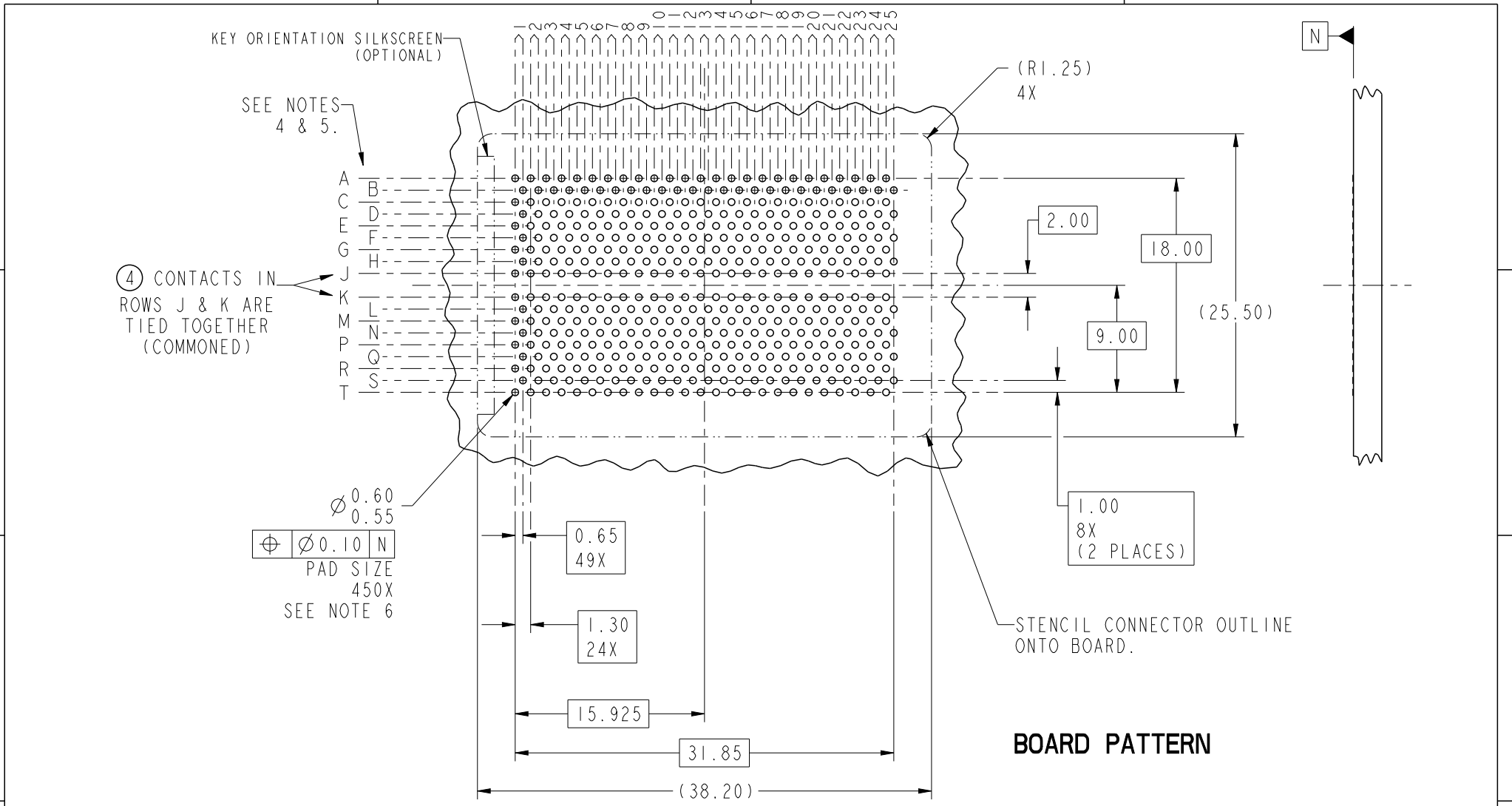


spec ref	*	dr	Bill Lin	2010/02/02	projection	mm	size	A4	scale	1:10
tolerance std	ASME Y14.5	eng	Nickor Zuo	2011/06/09			ecn no	ELX-DG-003943-1		
		chr	Alex Cao	2011/06/24			product family	GIG-Array		rel level
surface	✓	appr	Pei-Ming Zheng	2011/06/27			title	GIG-Array		rev
							5mm RECP. ASSY. 200 SIG. POS.	dwg no	55740	G
					cat. no.	*	Product - Customer Drw		sheet 1 of 5	

ProjE File - REV C - 2009-06-09



Copyright FCI.



**BOARD PATTERN**

spec ref	*	dr	Bill Lin	2010/02/02	projection	mm	size	A4	scale	1:10
tolerance std	ASME Y14.5	eng	Nickor Zuo	2011/06/09			ecn no		ELX-DG-003943-1	
TOLERANCES UNLESS OTHERWISE SPECIFIED		chr	Alex Cao	2011/06/24			rel level		Released	
surface	✓	appr	Pei-Ming Zheng	2011/06/27	product family		GIG-Array		rev	G
	linear			title		GIG-Array		55740		
		www.fci.com		5mm RECP. ASSY. 200 SIG. POS.		cat. no.		Product - Customer Drw		sheet 2 of 5
	angular									

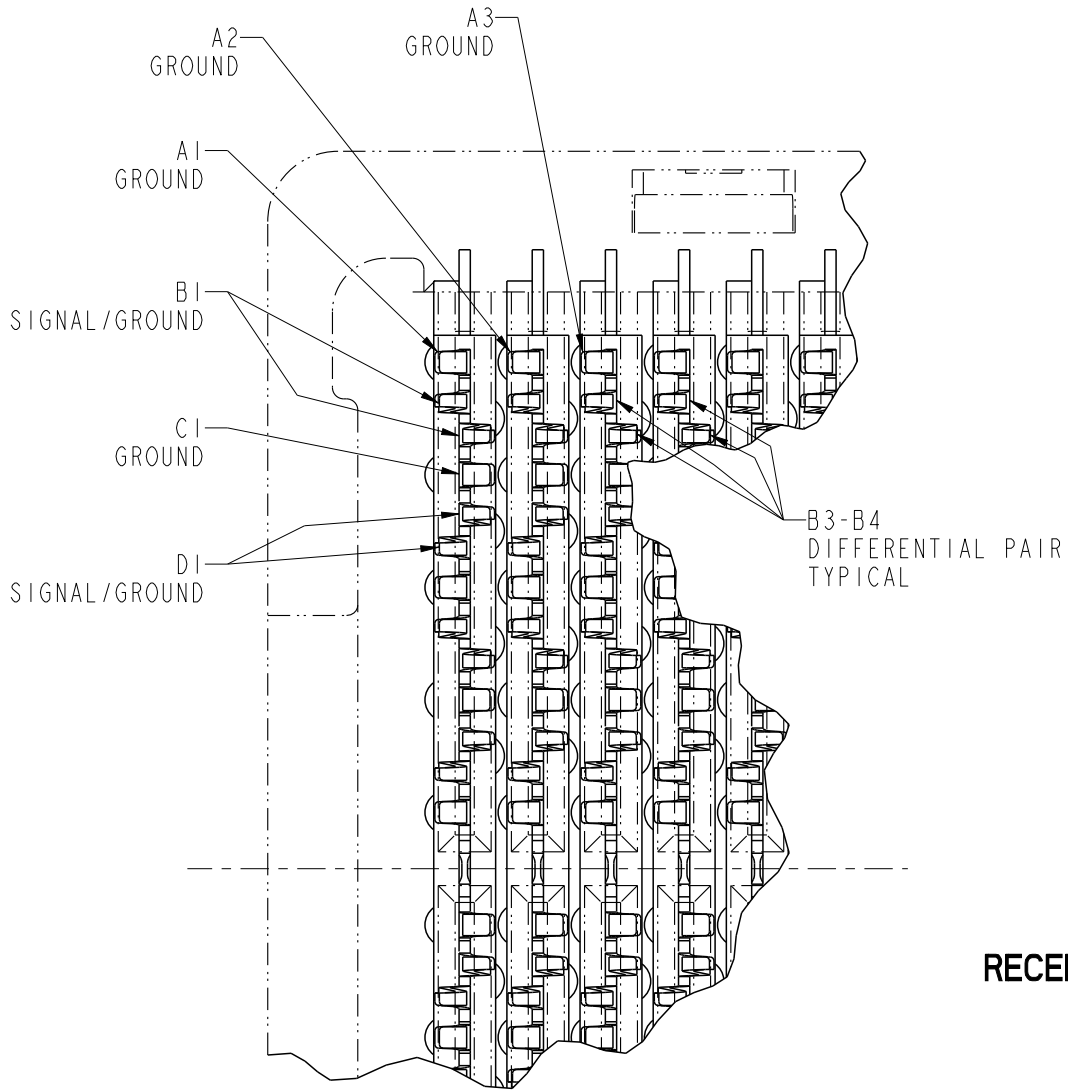
ProjE File - REV C - 2009-06-09

A

B

C

D



RECEPTACLE INTERFACE DESCRIPTION

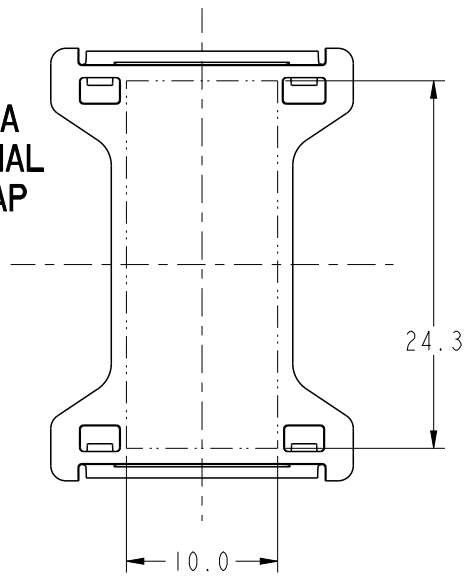


Copyright FCI.

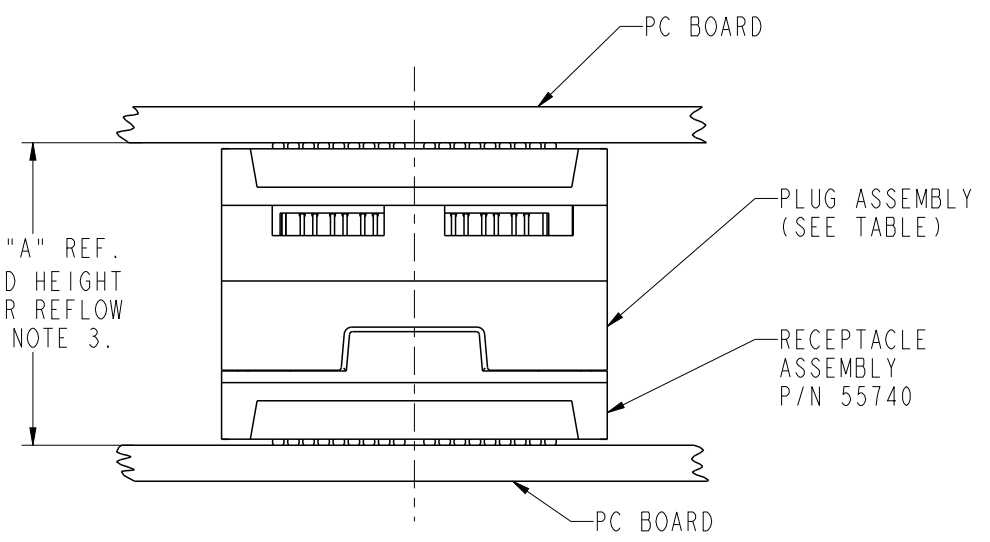
spec ref *		dr <b>Bill Lin</b>		2010/02/02	projection 	mm ←→	size	A4	scale	37:5	
tolerance std ASME Y14.5		eng <b>Nickor Zuo</b>		2011/06/09			ecn no	ELX-DG-003943-1			
-		chr <b>Alex Cao</b>		2011/06/24			product family	GIG-Array		rel level	<b>Released</b>
surface ✓	linear	0.X	±0.30		title	GIG-Array	dwg no	55740	rev	<b>G</b>	
		0.XX	±0.10								
-	angular	0°	±2°	www.fci.com	cat. no.	*	Product - Customer Drw		sheet 3 of 5		

PreE File - REV C - 2009-06-09

**FLAT AREA  
FOR OPTIONAL  
PICK-UP CAP**  
SCALE 2:1



DIM "A" REF.  
MATED HEIGHT  
AFTER REFLOW  
SEE NOTE 3.



**END VIEW OF MATED CONNECTORS**  
SCALE 2:1

DIM. "A"	PLUG ASSEMBLY P/N
15	55737
17	10026802
18	10030626
20	55738
25	55739
30	10054783



Copyright FCI.

spec ref *		dr <b>Bill Lin</b> 2010/02/02		projection 	mm 	size A4	scale 1:10	
tolerance std ASME Y14.5		eng <b>Nickor Zuo</b> 2011/06/09				ecn no ELX-DG-003943-1		
TOLERANCES UNLESS OTHERWISE SPECIFIED		chr <b>Alex Cao</b> 2011/06/24				rel level <b>Released</b>		
surface ✓		0.X ±0.30		product family GIG-Array		dwg no 55740	rev <b>G</b>	
		0.XX ±0.10		title GIG-Array				
		0.XXX ±0.05		5mm RECP. ASSY. 200 SIG. POS.				
-		angular 0° ±2°	www.fci.com	cat. no. *	Product - Customer Drw		sheet 4 of 5	

PrdE File - REV C - 2009-06-09

PRODUCT NUMBER	SOLDER BALL COMPOSITION	CONTACT PLATING PERFORMANCE LEVEL
55740-001	STANDARD (EUTECTIC)	PERFORMANCE-BASED PLATING, QUALIFIED TO MEET THE REQUIREMENTS OF FCI PRODUCT SPECIFICATION GS-12-192, INCLUDING TELCORDIA CENTRAL OFFICE
55740-001LF	LEADFREE	
55740-201	STANDARD (EUTECTIC)	Au over Ni
55740-201LF	LEADFREE	

NOTES:

- ① MATERIAL:  
HOUSING: LCP  
CONTACT: COPPER ALLOY  
PLATING (CONTACT): SEE TABLE.  
UL RATING: 94 V-0  
SOLDBALL: (SEE TABLE) EUTECTIC  
SnPb OR LEAD FREE 95.5 Sn/4Ag/0.5Cu.
- ② SOLDER BALLS WILL NOT BE PERFECT SPHERICAL SHAPE DUE TO REFLOW ATTACHMENT.
- ③ MATED HEIGHT EFFECTED BY CUSTOMERS' PCB PAD SIZE, PLATING, SOLDER REFLOW PROFILE & SOLDER PASTE.
- ④ CONTACTS IN ROWS A,C,E,G,J,K,M,P,R AND T ARE SINGLE BEAM CONTACTS, TYPICALLY USED AS GROUND PINS.  
(NOTE: CONTACTS IN ROWS J & K ARE TIED TOGETHER [COMMONED])
- ⑤ CONTACTS IN ROWS B,D,F,H,L,N,Q AND S ARE DUAL BEAM CONTACTS, TYPICALLY USED AS SIGNAL PINS.
- ⑥ SPECIFIED POSITIONAL TOLERANCE DEFINES PAD TO PAD LOCATION WITHIN LAND PATTERN. POSITIONAL TOLERANCE OF LAND PATTERN TO FUDICIAL MARKS OR PCB DATUMS SHALL BE DEFINED BY CUSTOMER. FOR RECOMMENDED PRODUCT APPLICATION AND PCB DESIGN DETAILS, SEE DOC. NO. GS-20-016.
- ⑦ FOR PROPER APPLICATION FOLLOW FCI APPLICATION SPECIFICATION GS-20-033. LEAD FREE SOLDER BALLS WILL NOT SOLDER PROPERLY IN A LEADED SOLDER PROCESS DUE TO A HIGHER REFLOW TEMPERATURE. LEADFREE PRODUCT IS THEREFORE NOT BACKWARDS COMPATIBLE WITH LEADED OR SOME SOLDERING APPLICATIONS. REFERENCE FCI APPLICATION SPECIFICATION.
- ⑧ THIS PRODUCT MEETS THE EUROPEAN UNION DIRECTIVES AND OTHER COUNTRY REGULATIONS AS DESCRIBED IN GS-22-008. PRODUCT MEETING THIS DIRECTIVE IS IDENTIFIED IN THE CODE NUMBER MARKED ON EACH PART BY HAVING AN "X" IN THE SEVENTH CHARACTER POSITION.

spec ref	*	dr	Bill Lin	2010/02/02	projection 	mm 	size	A4	scale	1:10
tolerance std	TOLERANCES UNLESS OTHERWISE SPECIFIED	eng	Nickor Zuo	2011/06/09			ecn no	ELX-DG-003943-1		
ASME Y14.5		chr	Alex Cao	2011/06/24			product family	GIG-Array		
-		appr	Pei-Ming Zheng	2011/06/27	rel level	Released				
surface	linear	0.X	±0.30		title	GIG-Array	dwg no	55740	rev	G
-		0.XX	±0.10							
-	0.XXX	±0.05	www.fci.com	cat. no.	*	Product - Customer Drw	sheet 5 of 5			
-	angular	0°						±2°		