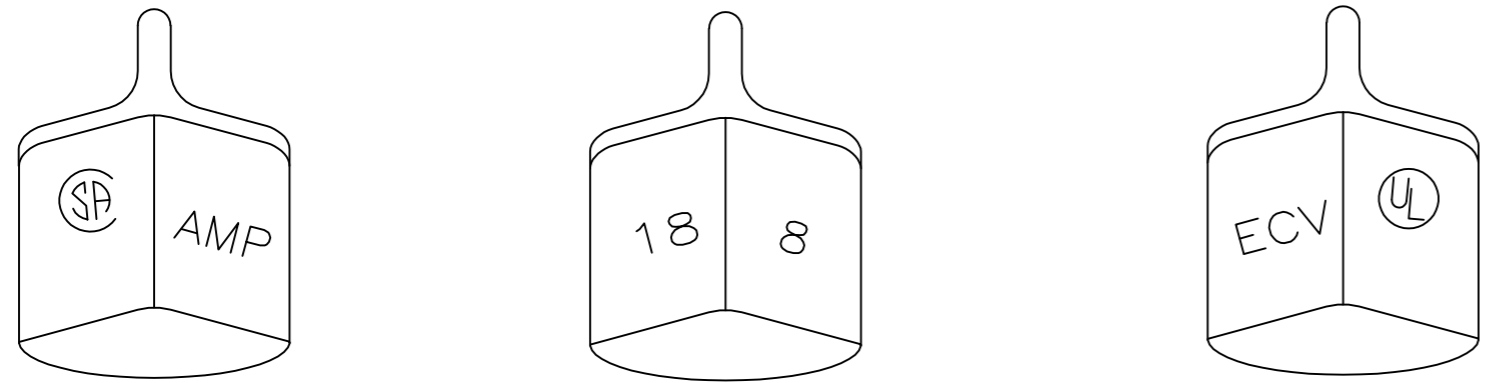


THIS DRAWING IS UNPUBLISHED. RELEASED FOR PUBLICATION  
 © COPYRIGHT BY TYCO ELECTRONICS CORPORATION. ALL RIGHTS RESERVED.

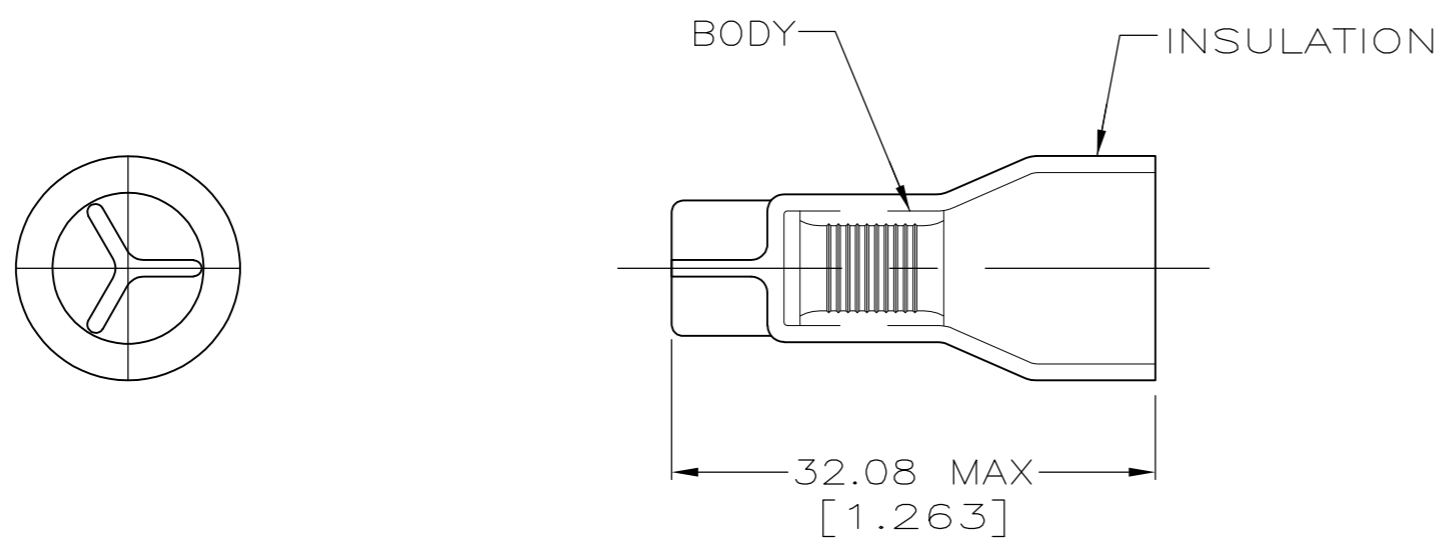
LOC	DIST	REVISIONS					
		P	LTR	DESCRIPTION	DATE	DWN	APVD
G	14		E	REVISED PER ECR-08-016717	08JUL08	HMR	TM



DETAIL OF STAMPING

- 1 FOR 12.70 [.500] MAX WIRE INSULATION DIA
- 2 MATERIAL: BODY: COPPER PER ASTM B152  
INSULATION: PVC  
COLOR: BLACK
- 3 FINISH: BODY: TIN PLATE PER ASTM B-545

<b>AMP</b> WIRE RANGE	Listed	LR7189 Certified
18-8 AWG SOLID OR STRANDED	18-8 AWG SOLID OR STRANDED	18-8 AWG SOLID OR STRANDED



QTY	DESCRIPTION	PART NO
-	LOOSE PIECE	55808-1

**AMP INCORPORATED**  
**CUSTOMER SERVICE SYSTEMS**

FOR ADDITIONAL PRODUCT INFORMATION OR COPIES OF DRAWINGS AND TECHNICAL DOCUMENTS  
 PRODUCT INFORMATION CENTER  
 1-800-522-6752

FOR APPLICATION TOOLING INFORMATION  
 TOOLING ASSISTANCE CENTER  
 1-800-722-1111

FOR ORDER ENTRY  
 1-800-526-5142

MAX RECOMMENDED OPERATING TEMPERATURE:  
 105°C MAX

VOLTAGE RATING:  
 600V MAX (BUILDING & WIRING)  
 1000V MAX (FIXTURES & SIGNS)

CIRCULAR MIL AREA:  
 5.23-10.55mm<sup>2</sup> [10320-20620]  
 SOLID OR STRANDED

THIS DRAWING IS A CONTROLLED DOCUMENT.

DIMENSIONS:	TOLERANCES UNLESS OTHERWISE SPECIFIED:
INCHES	
	0 PLC ± -
	1 PLC ± -
	2 PLC ± 0.20[.008]
	3 PLC ± -
	4 PLC ± -
	ANGLES ± -

MATERIAL

FINISH

DWN G KRUPER 12/92	Tyco Electronics Corporation Harrisburg, Pa 17105-3608
CHK R HERSEY 1/93	
APVD M ELLIS 1/93	
PRODUCT SPEC	NAME
APPLICATION SPEC	SPLICE, WIRE, CLOSED END
WEIGHT -	SIZE A3 CAGE CODE 00779 DRAWING NO C-55808 RESTRICTED TO -
CUSTOMER DRAWING	SCALE 2:1 SHEET 1 OF 1 REV E