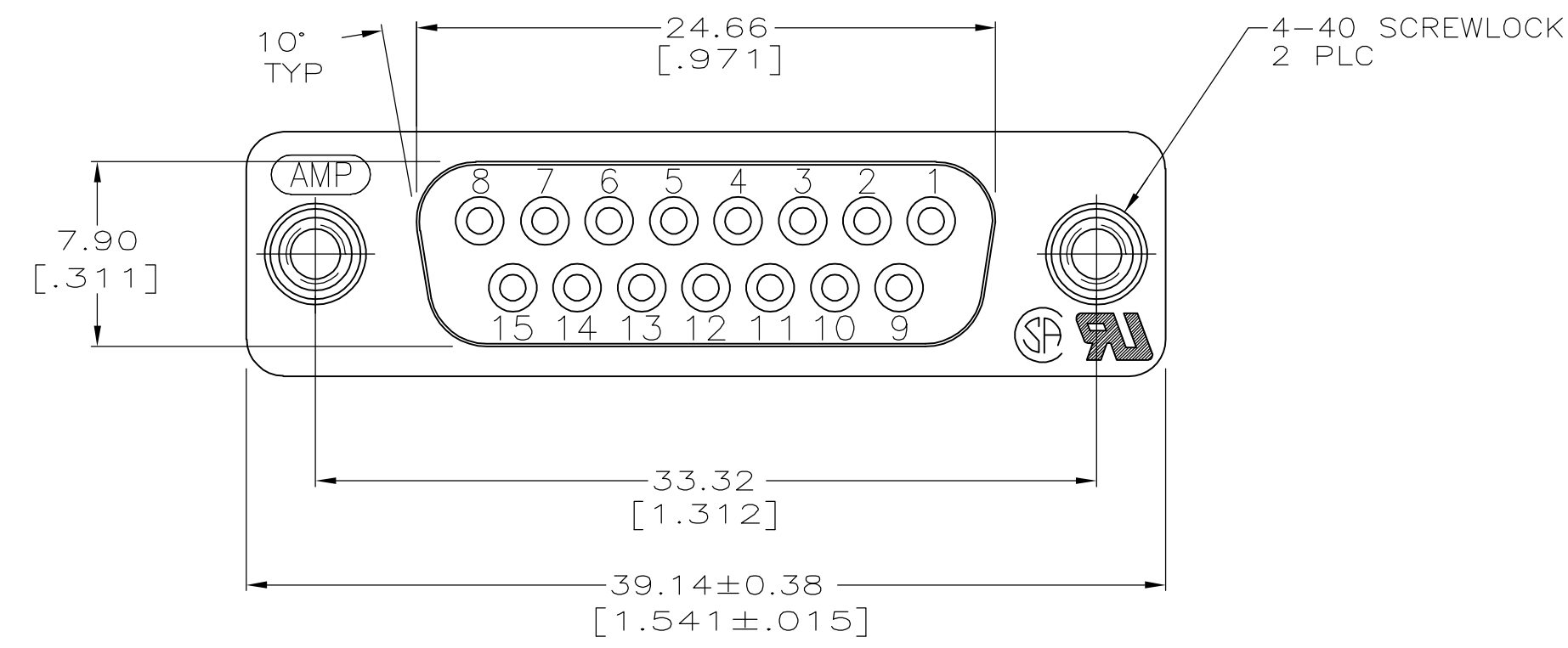
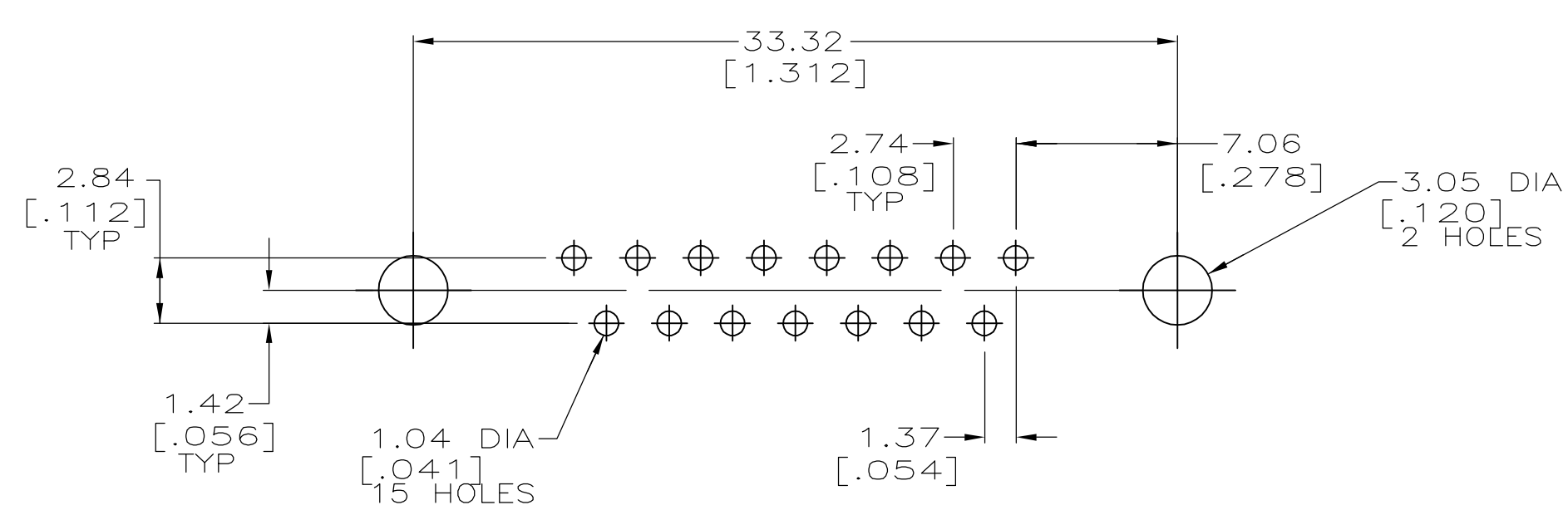
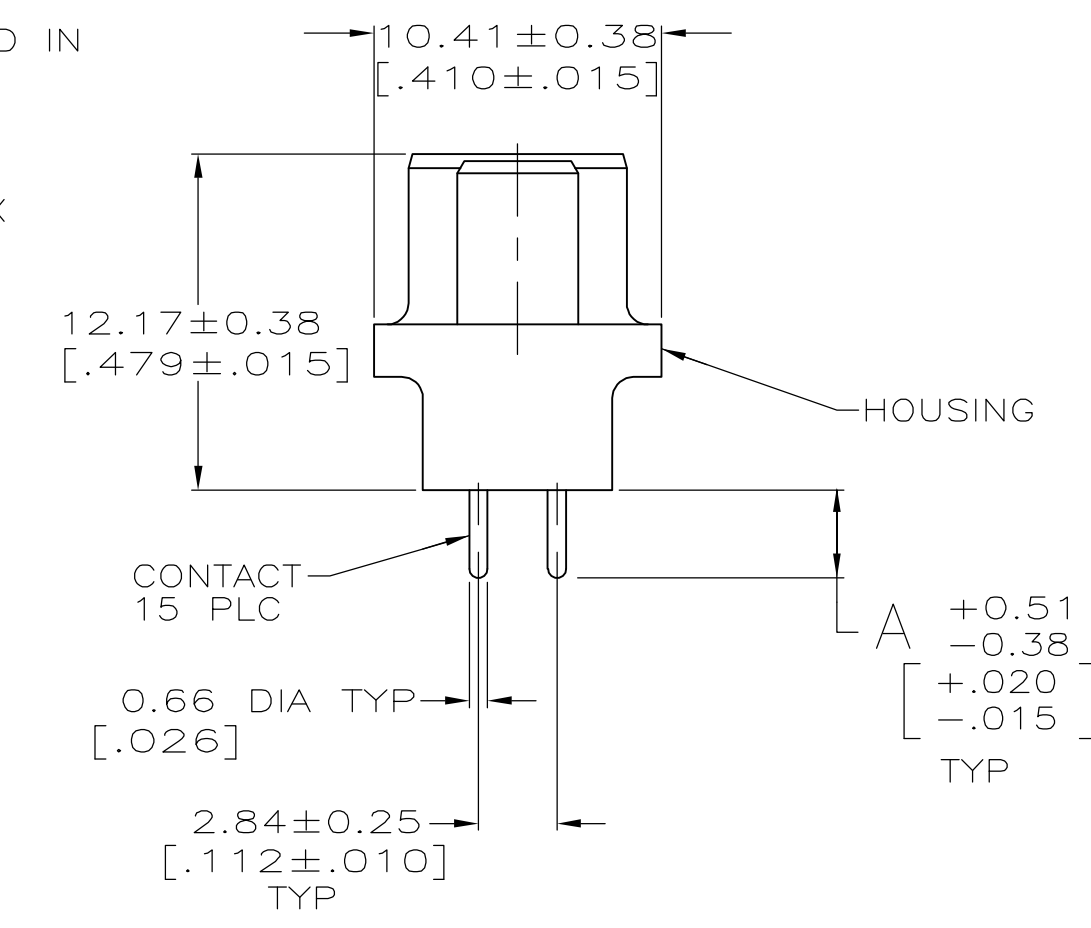
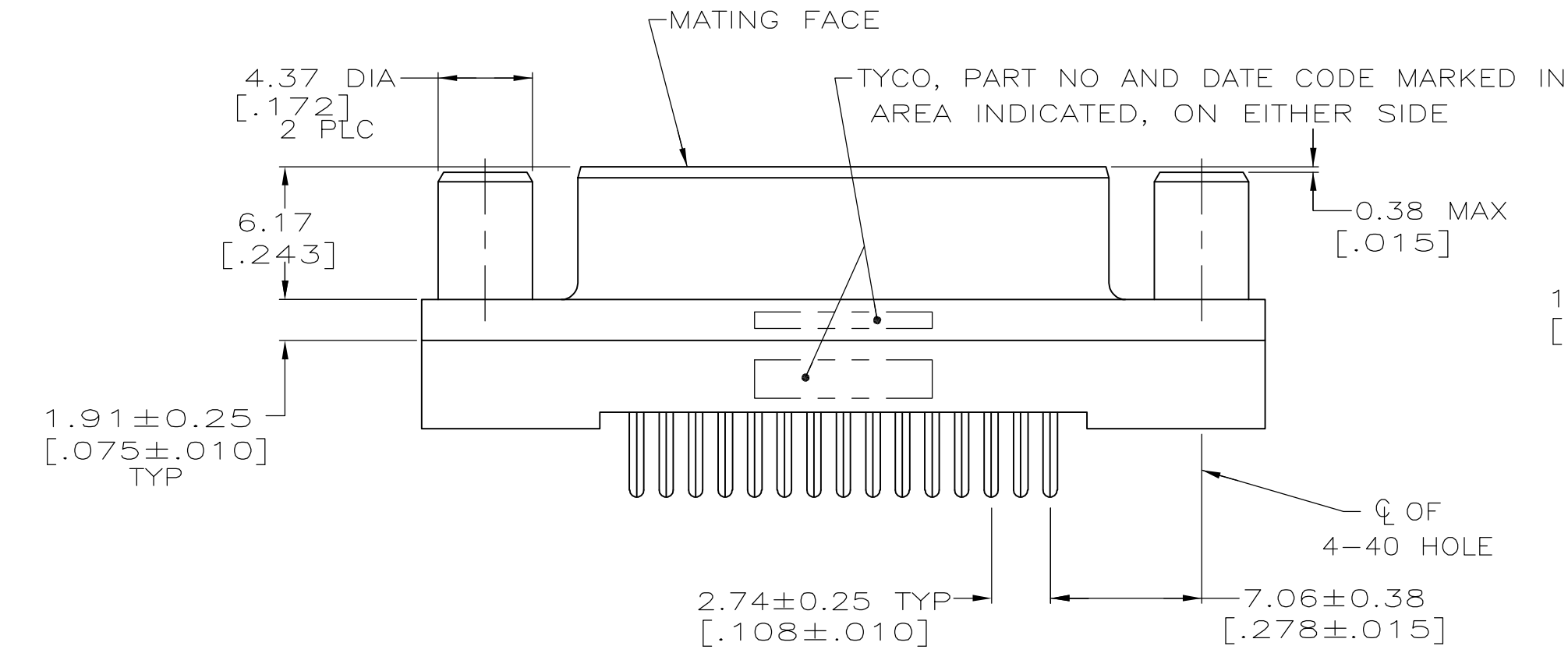


THIS DRAWING IS UNPUBLISHED. RELEASED FOR PUBLICATION  
 © COPYRIGHT BY TYCO ELECTRONICS CORPORATION. ALL RIGHTS RESERVED.

LOC	DIST	REVISIONS			
P	LTR	DESCRIPTION	DATE	OWN	APVD
GP	00	0	RELEASED PER EC 0S13-0087-05	31AUG05	GP JG



- ① HOUSING: BLACK POLYESTER, UL 94V-0 RATED; CONTACTS: PHOSPHOR BRONZE; SCREWLOCKS: BRASS.
- ② CONTACTS: SEE TABLE. SCREWLOCKS: 1.27µm [0.000050] MIN NICKEL OVER COPPER FLASH.
- ③ GOLD FLASH FOR A LENGTH OF 2.54 [0.100] MIN FROM MATING END, 2.54µm [0.000100] MIN TIN FOR A LENGTH OF DIMENSION A FROM OPPOSITE END, ALL OVER 1.27µm [0.000050] MIN NICKEL.
- ④ 0.76 µm [0.000030] MIN GOLD FOR A LENGTH OF 2.54 [0.100] MIN FROM MATING END, 2.54µm [0.000100] MIN TIN FOR A LENGTH OF DIMENSION A FROM OPPOSITE END, ALL OVER 1.27µm [0.000050] MIN NICKEL.



RECOMMENDED PC BOARD MOUNTING DIMENSIONS

4.32 [0.170]	④	5745077-6
3.18 [0.125]	④	5745077-4
3.18 [0.125]	③	5745077-3
A	CONTACT FINISH	PART NO

THIS DRAWING IS A CONTROLLED DOCUMENT.		DWN	31AUG05	Tyco Electronics Corporation	
DIMENSIONS: mm [INCHES]		CHK	31AUG05	Harrisburg, Pa 17105-3608	
TOLERANCES UNLESS OTHERWISE SPECIFIED:		APVD	31AUG05	NAME	
0 PLC	± -	M. WALMSLEY		RECEPTACLE ASSEMBLY, SIZE 2,	
1 PLC	± -	108-40025		15 POSN, VERTICAL,	
2 PLC	± 0.13 [0.005]	APPLICATION SPEC		AMPLIMITE HD-20	
3 PLC	± -	SIZE		CAGE CODE	
4 PLC	± -	DRAWING NO		RESTRICTED TO	
ANGLES	± ± 2'	A2		00779	
FINISH	②	G-5745077		-	
MATERIAL	①	WEIGHT		SCALE 4:1	
CUSTOMER DRAWING		SHEET 1 OF 1		REV 0	