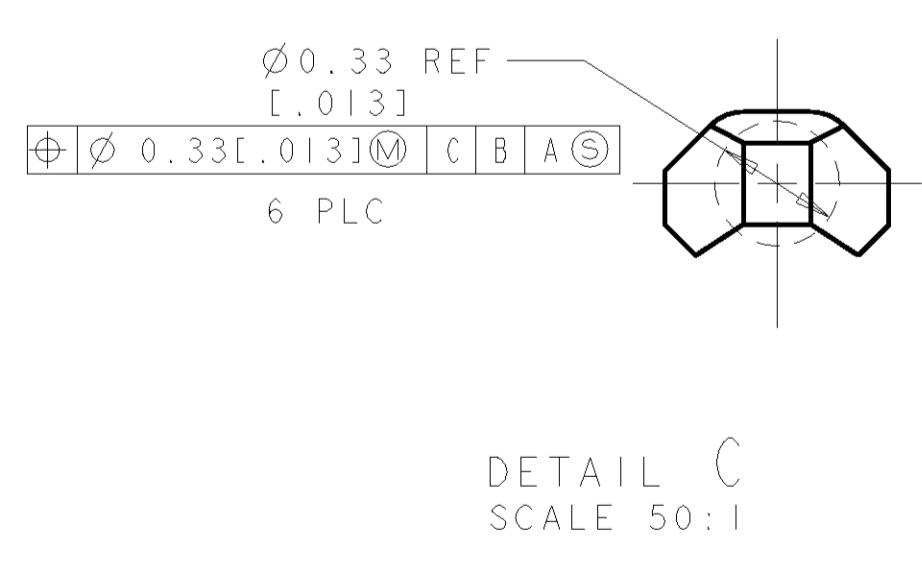
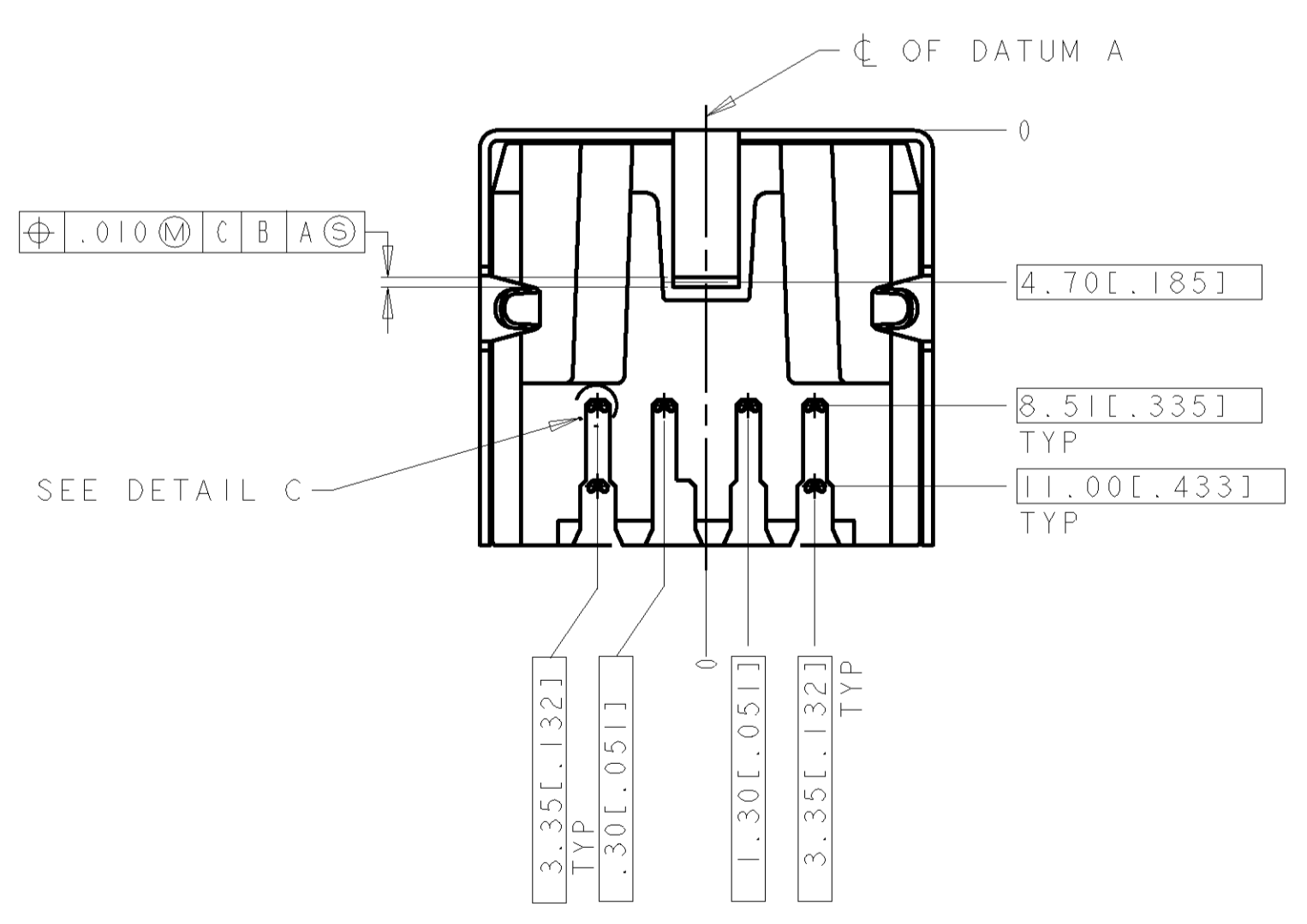
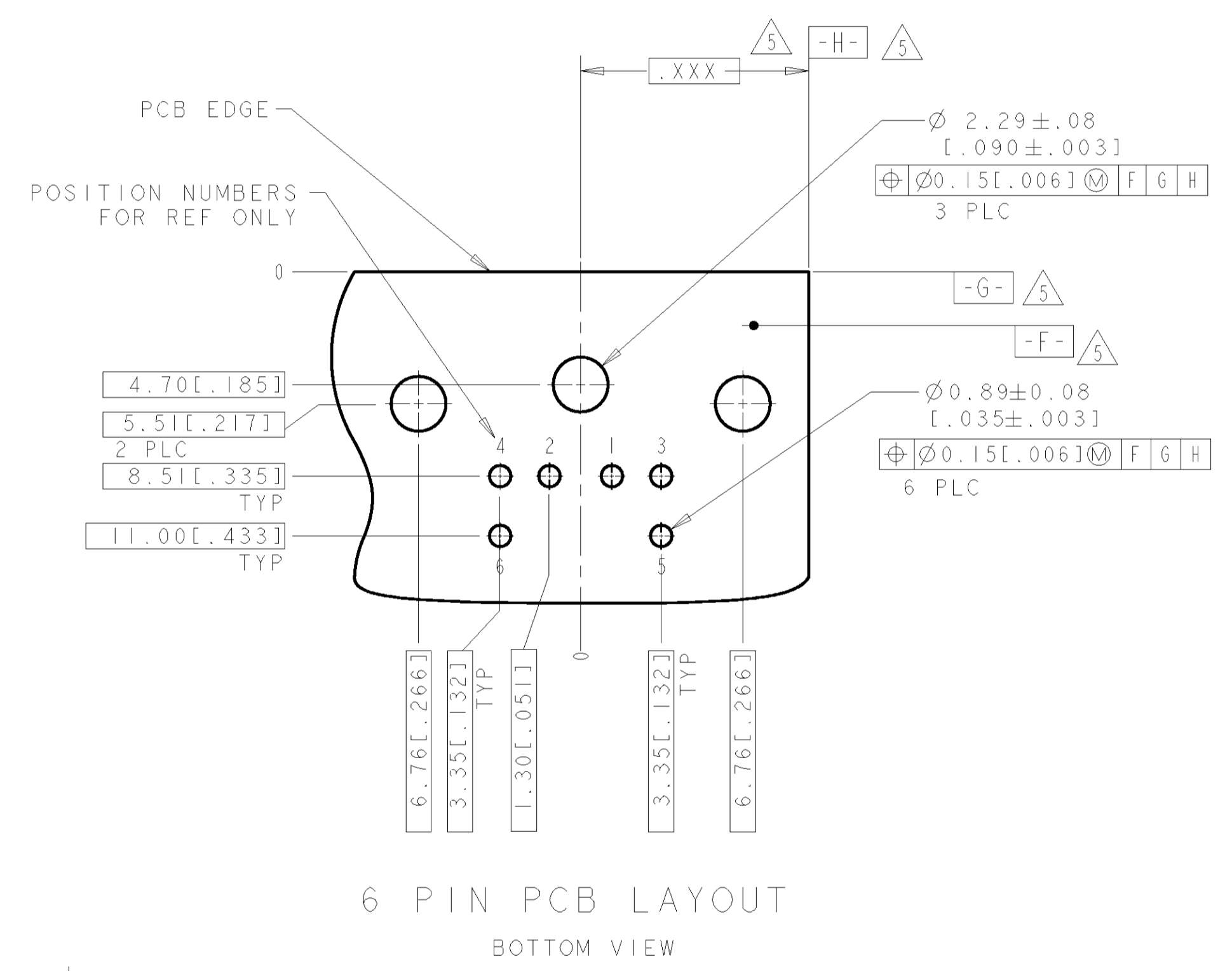
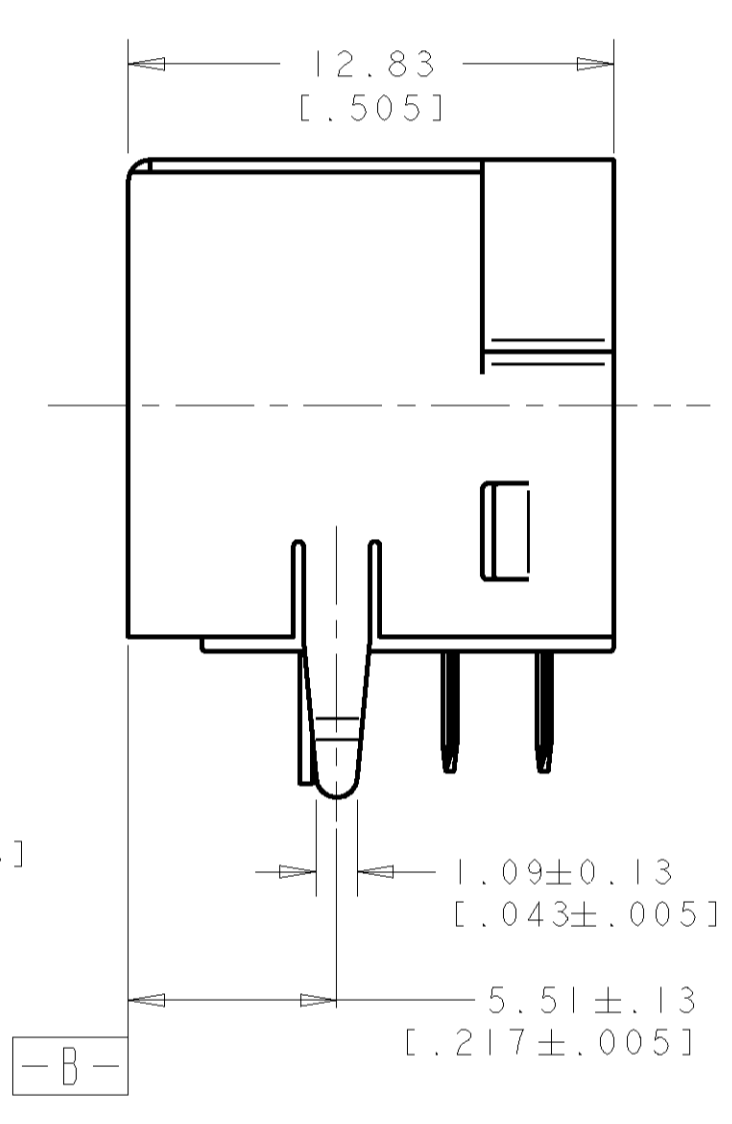
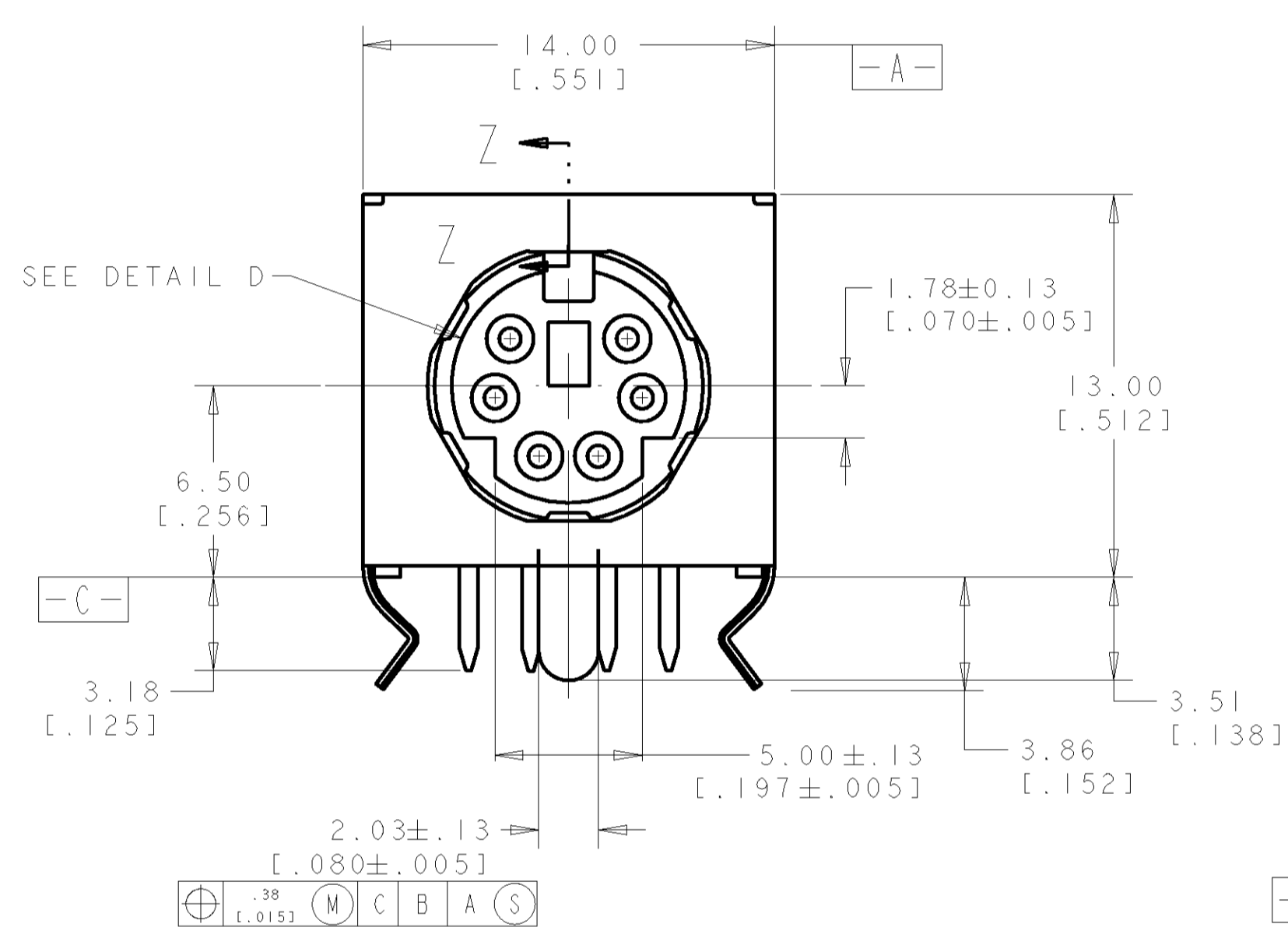
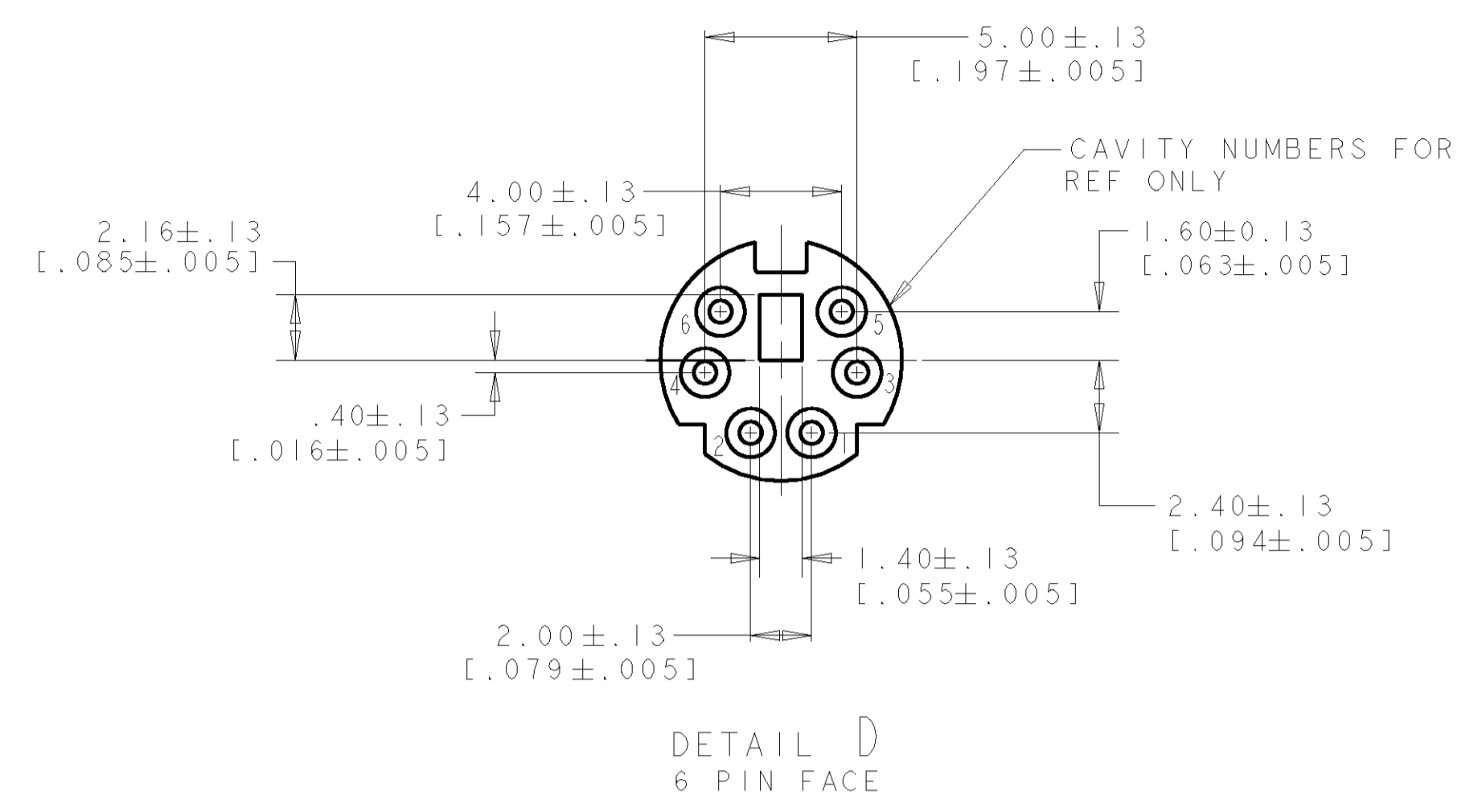
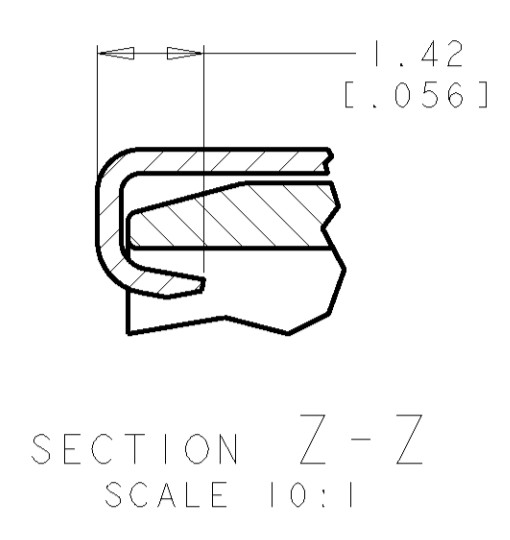
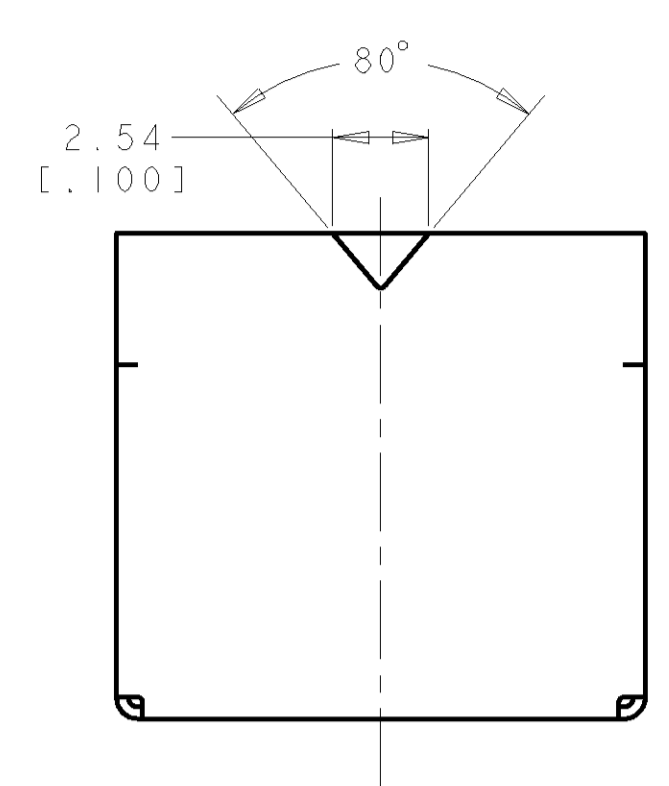


LOC	DIST	REVISIONS			
BY	DATE	DESCRIPTION	DATE	DNM	APRD
P		REVISED PER ECO-11-005139	19MAR11	RK	HMR



- 1 RECEPTACLE CONTACTS: COPPER ALLOY.  
RECEPTACLE SHIELD: COPPER ALLOY.  
HOUSING: THERMOPLASTIC, BLACK, 94V-0 RATED.
- 2 PLATING:  
RECEPTACLE CONTACTS - GOLD FLASH PLATED ON MATING END, MATTE-TIN PLATED .0030 MIN [0.000120 MIN] THICK ON SOLDER TAIL ALL OVER .0013 MIN [0.000050 MIN] THICK NICKEL.
- 3 PLATING:  
SHIELD: PRE-TIN PLATED
- 4 RECEPTACLE ASSEMBLY MATES WITH 6 PIN 9.00±.10 [0.354±.004] DIAMETER PLUG.
- 5 DATUMS AND BASIC DIMENSION SUPPLIED BY CUSTOMER.

P/N: 5749231-1 AS SHOWN

DIMENSIONS: mm [INCHES]		TOLERANCES UNLESS OTHERWISE SPECIFIED:		DW: WYLEE 03JAN2005		CS: SF LEONG		APRD: SF LEONG		NAME: RECEPTACLE ASSY W/ HOLD DOWN, 6 POS., RIGHT ANGLE, MINIATURE CIRCULAR DIN	
0 PLC	±	1 PLC	±	2 PLC	±	3 PLC	±	4 PLC	±	5 PLC	±
6 PLC	±	7 PLC	±	8 PLC	±	9 PLC	±	10 PLC	±	11 PLC	±
12 PLC	±	13 PLC	±	14 PLC	±	15 PLC	±	16 PLC	±	17 PLC	±
18 PLC	±	19 PLC	±	20 PLC	±	21 PLC	±	22 PLC	±	23 PLC	±
24 PLC	±	25 PLC	±	26 PLC	±	27 PLC	±	28 PLC	±	29 PLC	±
30 PLC	±	31 PLC	±	32 PLC	±	33 PLC	±	34 PLC	±	35 PLC	±
36 PLC	±	37 PLC	±	38 PLC	±	39 PLC	±	40 PLC	±	41 PLC	±
42 PLC	±	43 PLC	±	44 PLC	±	45 PLC	±	46 PLC	±	47 PLC	±
48 PLC	±	49 PLC	±	50 PLC	±	51 PLC	±	52 PLC	±	53 PLC	±
54 PLC	±	55 PLC	±	56 PLC	±	57 PLC	±	58 PLC	±	59 PLC	±
60 PLC	±	61 PLC	±	62 PLC	±	63 PLC	±	64 PLC	±	65 PLC	±
66 PLC	±	67 PLC	±	68 PLC	±	69 PLC	±	70 PLC	±	71 PLC	±
72 PLC	±	73 PLC	±	74 PLC	±	75 PLC	±	76 PLC	±	77 PLC	±
78 PLC	±	79 PLC	±	80 PLC	±	81 PLC	±	82 PLC	±	83 PLC	±
84 PLC	±	85 PLC	±	86 PLC	±	87 PLC	±	88 PLC	±	89 PLC	±
90 PLC	±	91 PLC	±	92 PLC	±	93 PLC	±	94 PLC	±	95 PLC	±
96 PLC	±	97 PLC	±	98 PLC	±	99 PLC	±	100 PLC	±		
MATERIAL		FINISH		WEIGHT		SIZE		CAGE CODE		DRAWING NO	
						A1		00779		C=5749231	
CUSTOMER DRAWING		SCALE: 5:1		SHEET 1 OF 1		REV P					