



## 575SX1A48F503SS

**575 Series Commercial Potentiometer, Conductive Plastic Element, Solder Hook Terminals, 0.5 W Power Rating, 50 kOhm Resistance Value**

*Representative photograph, actual product appearance may vary.*

*Due to regional agency approval requirements, some products may not be available in your area. Please contact your regional Honeywell office regarding your product of choice.*

### Features

- All plastic construction
- Conductive plastic element
- Linear taper
- Solder hook terminals

### Typical Applications

- Manual controls (throttle, joystick)
- Welding and heating
- Telecommunications

### Description

The 575 Series is a low cost potentiometer with the benefits of a conductive plastic element. It is panel mounted and the housing and shaft are made from thermoplastic material.



## 575SX1A48F503SS

**575 Series Commercial Potentiometer, Conductive Plastic Element, Solder Hook Terminals, 0.5 W Power Rating, 50 kOhm Resistance Value**

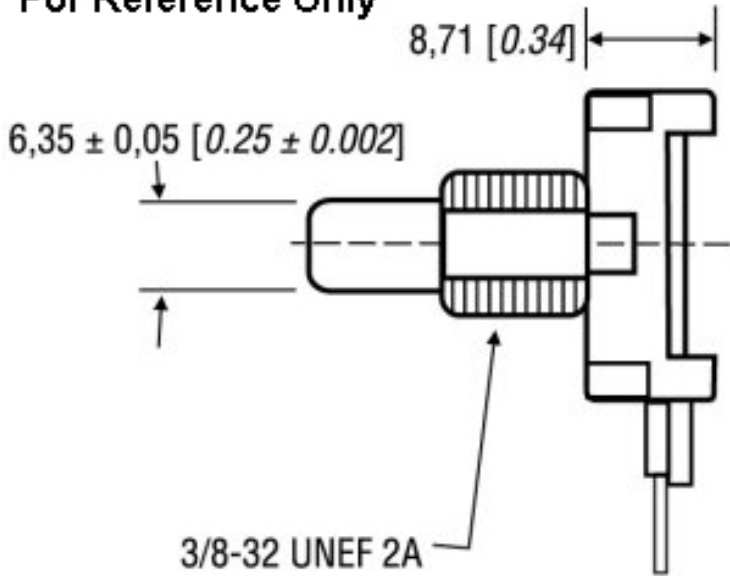
Product Specifications	
<b>Potentiometer Type</b>	Commercial
<b>Element Type</b>	Conductive Plastic
<b>Terminal Type</b>	Solder Hook
<b>Power Rating</b>	0.5 W
<b>Resistance Value</b>	50 kOhm
<b>Resistance Tolerance</b>	± 20 %
<b>Linearity</b>	± 5 %
<b>Bushing Thread</b>	9,53 mm [0.375 in] x 32 NEF-2A
<b>Bushing length</b>	6,35 mm [0.25 in]
<b>Bushing Type</b>	Standard
<b>Shaft Diameter</b>	6,35 mm [0.25 in]
<b>Shaft length</b>	19,05 mm [0.75 in]
<b>Shaft Ending</b>	Flatted
<b>Body</b>	21.08 mm [0.83 in] square, ± 0.79 mm [0.031 in], except at terminal standoff
<b>Electrical Taper</b>	Linear
<b>Operating Temperature</b>	-40 °C to 120 °C [-40 °F to 248 °F]
<b>Working Voltage (Max.)</b>	350 V
<b>Rotational Life</b>	50000 cycles
<b>Mechanical Rotation</b>	300°
<b>Availability</b>	Global
<b>Series Name</b>	575 Series
<b>UNSPSC Code</b>	4111363300
<b>UNSPSC Commodity</b>	4111363300 Potentiometers

# Honeywell

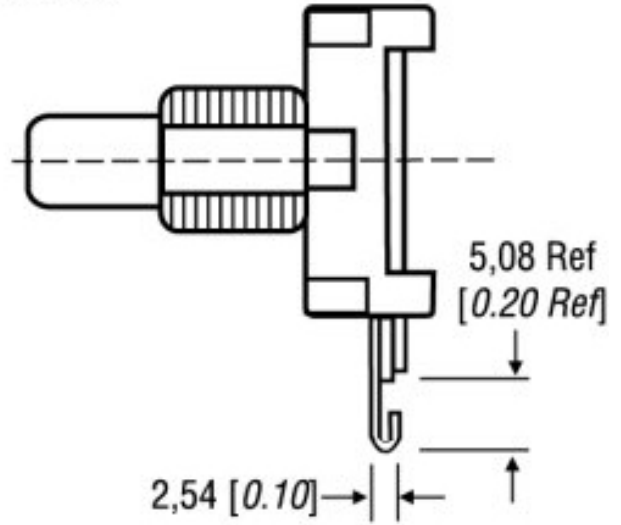
## 575SX1A48F503SS

**575 Series Commercial Potentiometer, Conductive Plastic Element, Solder Hook Terminals, 0.5 W Power Rating, 50 kOhm Resistance Value**

**For Reference Only**



**Solder Hook  
Terminals**



**575SX1A48F503SS**

**575 Series Commercial Potentiometer, Conductive Plastic Element, Solder Hook Terminals, 0.5 W Power Rating, 50 kOhm Resistance Value**

**⚠ WARNING**

**PERSONAL INJURY**

DO NOT USE these products as safety or emergency stop devices, or in any other application where failure of the product could result in personal injury.

**Failure to comply with these instructions could result in death or serious injury.**

**⚠ WARNING**

**MISUSE OF DOCUMENTATION**

- The information presented in this product sheet (or catalog) is for reference only. DO NOT USE this document as product installation information.
- Complete installation, operation and maintenance information is provided in the instructions supplied with each product.

**Failure to comply with these instructions could result in death or serious injury.**

